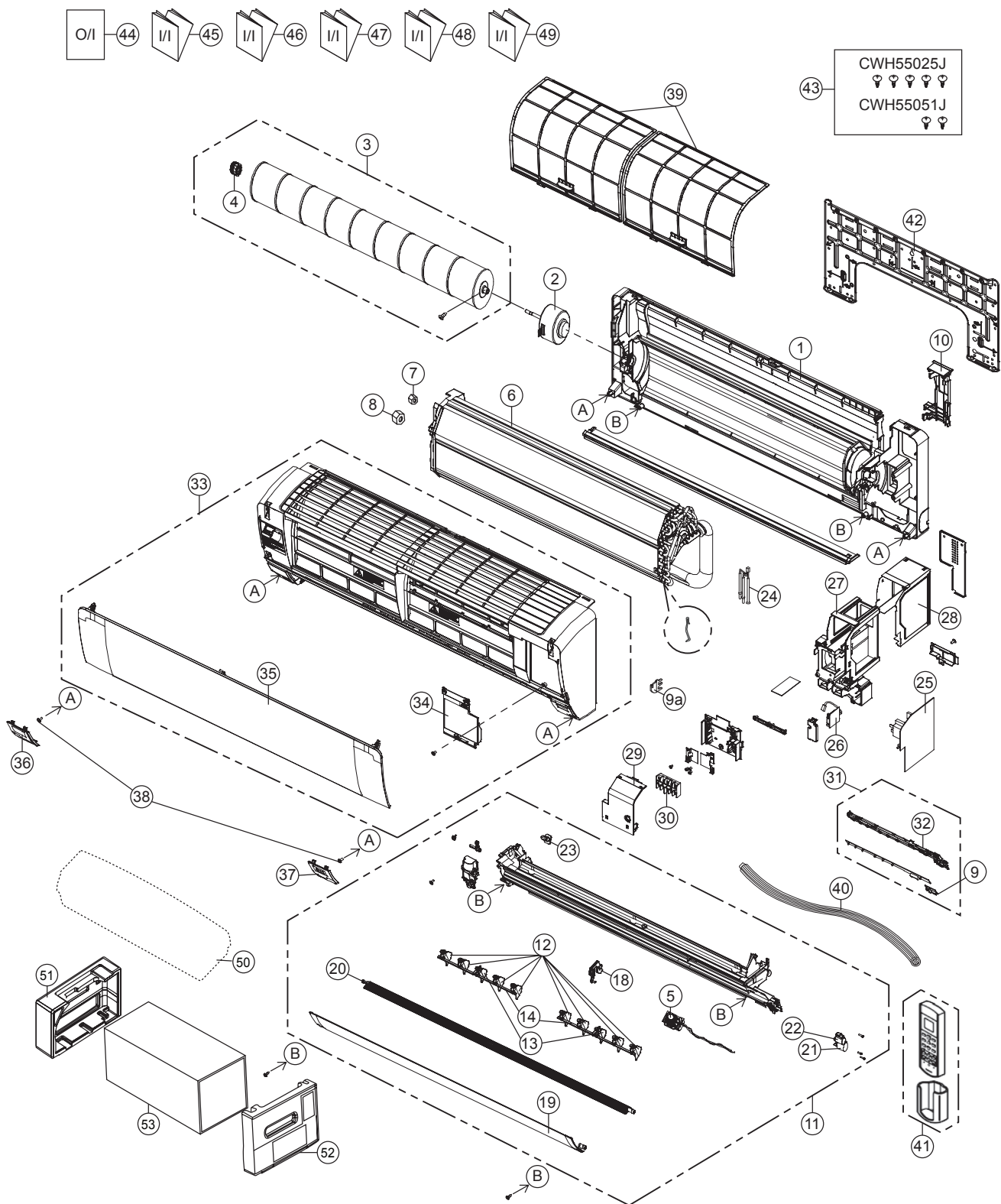


19. Exploded View and Replacement Parts List

19.1 Indoor Unit



Note

The above exploded view is for the purpose of parts disassembly and replacement. The non-numbered parts are not kept as standard service parts.

SAFETY	REF. NO.	PART NAME & DESCRIPTION	QTY	CS-NE9PKE	CS-NE12PKE	REMARK
	1	CHASSY COMPLETE	1	CWD50C1730	←	
⚠	2	FAN MOTOR	1	ARW7666ACCB	←	O
	3	CROSS-FLOW FAN COMPLETE	1	CWH02C1137	←	
	4	BEARING ASS'Y	1	CWH64K1010	←	O
	5	GENERATOR COMPLETE	1	CWH94C0048	←	
	6	EVAPORATOR COMPLETE	1	CWB30C4578	CWB30C4577	
	7	FLARE NUT (LIQUID)	1	CWT251030	←	
	8	FLARE NUT (GAS)	1	CWT251031	←	
⚠	9	ELECTRONIC CONTROLLER - RECEIVER	1	CWA746916	←	
	9a	HOLDER SENSOR	1	CWH321085	←	
	10	BACK COVER CHASSIS	1	CWD933463	←	
	11	DISCHARGE GRILLE COMPLETE	1	CWE20C3306	←	
	12	VERTICAL VANE	8	CWE241389	←	
	13	VERTICAL VANE	2	CWE241409	←	
	14	CONNECTING BAR	2	CWE261272	←	
	18	FULCRUM	1	CWH621157	←	
	19	HORIZONTAL VANE COMPLETE	1	CWE24C1422	←	
	20	HORIZONTAL VANE COMPLETE	1	CWE24C1421	←	
	21	AIR SWING MOTOR	1	CWA981241	←	O
	22	AIR SWING MOTOR	1	CWA981299	←	O
	23	CAP - DRAIN TRAY	1	CWH521259	←	
	24	SENSOR COMPLETE	1	CWA50C2664	←	
⚠	25	ELECTRONIC CONTROLLER - MAIN	1	CWA73C7898	CWA73C7899	O
⚠	26	ELECTRONIC CONTROLLER - HVU	1	N0GE1F000005	←	O
	27	CONTROL BOARD CASING	1	-	CWH102456	
	28	CONTROL BOARD TOP COVER	1	CWH131531	-	
	29	CONTROL BOARD FRONT COVER CO.	1	CWH13C1286	←	
⚠	30	TERMINAL BOARD COMPLETE	1	CWA28C2364	←	
	31	INDICATOR COMPLETE	1	CWE39C1231	←	O
	32	INDICATOR HOLDER	1	CWD933466	←	
	33	FRONT GRILLE COMPLETE	1	CWE11C5433	←	O
	34	GRILLE DOOR COMPLETE	1	CWE14C1099	←	
	35	INTAKE GRILLE COMPLETE	1	CWE22K1610	←	O
	36	DECORATION BASE ASS'Y (L)	1	CWE351341	←	
	37	DECORATION BASE ASS'Y (R)	1	CWE351326	←	
	38	SCREW - FRONT GRILLE	2	XTT4+16CFJ	←	
	39	AIR FILTER	2	CWD001326	←	
	40	FLEXIBLE PIPE	1	CWH851173	←	
	41	REMOTE CONTROL COMPLETE	1	CWA75C4410	←	O
	42	INSTALLATION PLATE	1	CWH361134	←	
	43	BAG COMPLETE - INSTALLATION SCREW	1	CWH82C1705	←	
	44	OPERATING INSTRUCTION	1	CWF569237	←	
	45	INSTALLATION INSTRUCTION	1	CWF615521	←	
	46	INSTALLATION INSTRUCTION	1	CWF615522	←	
	47	INSTALLATION INSTRUCTION	1	CWF615523	←	
	48	INSTALLATION INSTRUCTION	1	CWF615524	←	
	49	INSTALLATION INSTRUCTION	1	CWF615525	←	
	50	BAG	1	CWG861515	←	

SAFETY	REF. NO.	PART NAME & DESCRIPTION	QTY	CS-NE9PKE	CS-NE12PKE	REMARK
	51	SHOCK ABSORBER (L)	1	CWG713484	←	
	52	SHOCK ABSORBER (R)	1	CWG713485	←	
	53	C.C.CASE	1	CWG568509	←	

(Note)

- All parts are supplied from PAPAMY, Malaysia (Vendor Code: 00029488).
- “O” marked parts are recommended to be kept in stock.

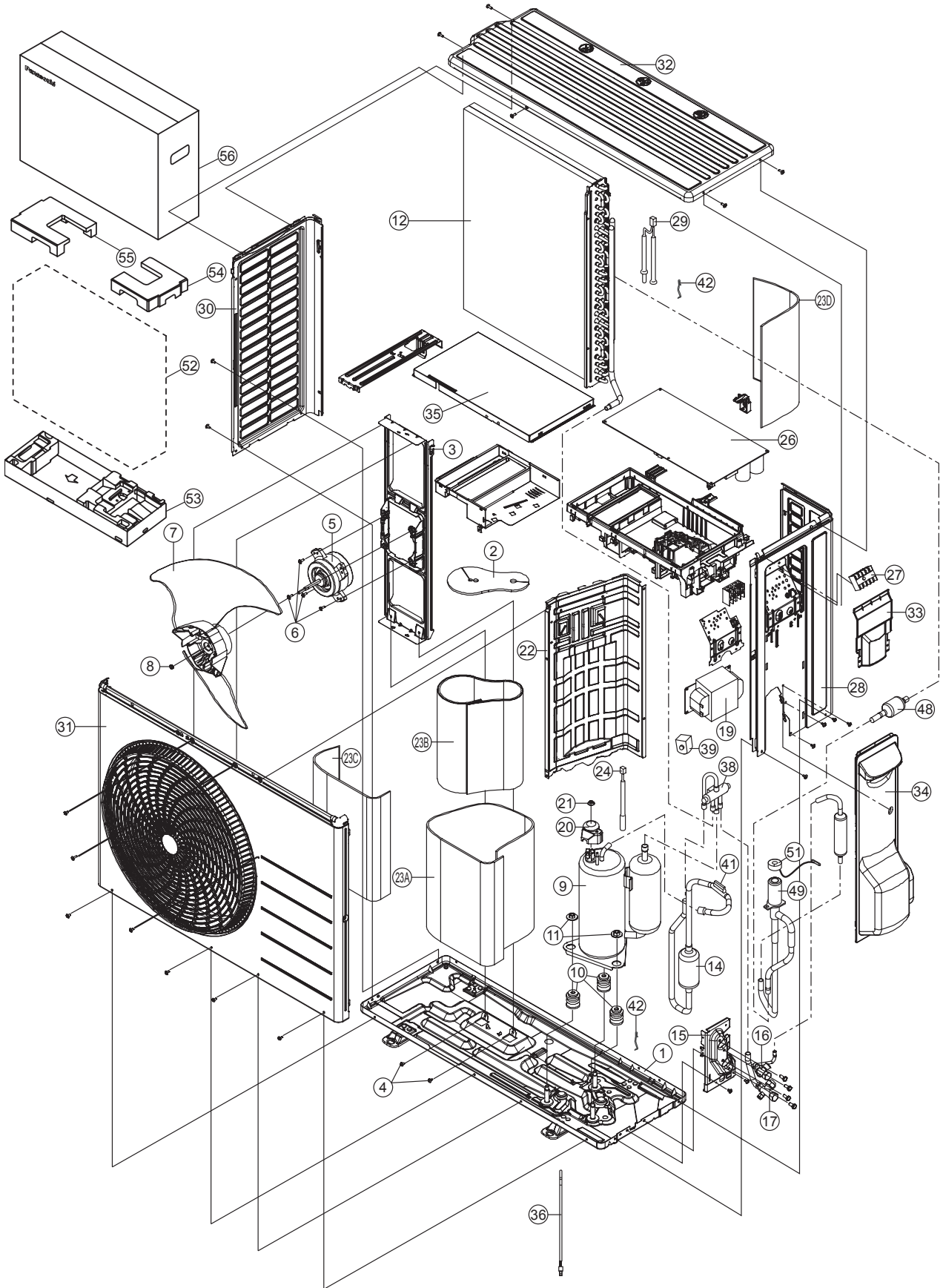
SAFETY	REF. NO.	PART NAME & DESCRIPTION	QTY	CS-QE9PKE	CS-QE12PKE	REMARK
	1	CHASSY COMPLETE	1	CWD50C1730	←	
⚠	2	FAN MOTOR	1	ARW7666ACCB	←	O
	3	CROSS-FLOW FAN COMPLETE	1	CWH02C1137	←	
	4	BEARING ASS'Y	1	CWH64K1010	←	O
	5	GENERATOR COMPLETE	1	CWH94C0048	←	
	6	EVAPORATOR COMPLETE	1	CWB30C4578	CWB30C4577	
	7	FLARE NUT (LIQUID)	1	CWT251030	←	
	8	FLARE NUT (GAS)	1	CWT251031	←	
⚠	9	ELECTRONIC CONTROLLER - RECEIVER	1	CWA746916	←	
	9a	HOLDER SENSOR	1	CWH321085	←	
	10	BACK COVER CHASSIS	1	CWD933463	←	
	11	DISCHARGE GRILLE COMPLETE	1	CWE20C3306	←	
	12	VERTICAL VANE	8	CWE241389	←	
	13	VERTICAL VANE	2	CWE241409	←	
	14	CONNECTING BAR	2	CWE261272	←	
	18	FULCRUM	1	CWH621157	←	
	19	HORIZONTAL VANE COMPLETE	1	CWE24C1422	←	
	20	HORIZONTAL VANE COMPLETE	1	CWE24C1421	←	
	21	AIR SWING MOTOR	1	CWA981241	←	O
	22	AIR SWING MOTOR	1	CWA981299	←	O
	23	CAP - DRAIN TRAY	1	CWH521259	←	
	24	SENSOR COMPLETE	1	CWA50C2664	←	
⚠	25	ELECTRONIC CONTROLLER - MAIN	1	CWA73C7898	CWA73C7899	O
⚠	26	ELECTRONIC CONTROLLER - HVU	1	N0GE1F000005	←	O
	27	CONTROL BOARD CASING	1	-	CWH102456	
	28	CONTROL BOARD TOP COVER	1	CWH131531	-	
	29	CONTROL BOARD FRONT COVER CO.	1	CWH13C1286	←	
⚠	30	TERMINAL BOARD COMPLETE	1	CWA28C2364	←	
	31	INDICATOR COMPLETE	1	CWE39C1231	←	O
	32	INDICATOR HOLDER	1	CWD933466	←	
	33	FRONT GRILLE COMPLETE	1	CWE11C5434	←	O
	34	GRILLE DOOR COMPLETE	1	CWE14C1099	←	
	35	INTAKE GRILLE COMPLETE	1	CWE22K1610	←	O
	36	DECORATION BASE ASS'Y (L)	1	CWE351341	←	
	37	DECORATION BASE ASS'Y (R)	1	CWE351326	←	
	38	SCREW - FRONT GRILLE	2	XTT4+16CFJ	←	
	39	AIR FILTER	2	CWD001326	←	
	40	FLEXIBLE PIPE	1	CWH851173	←	
	41	REMOTE CONTROL COMPLETE	1	CWA75C4410	←	O
	42	INSTALLATION PLATE	1	CWH361134	←	
	43	BAG COMPLETE - INSTALLATION SCREW	1	CWH82C1705	←	
	44	OPERATING INSTRUCTION	1	CWF569237	←	
	45	INSTALLATION INSTRUCTION	1	CWF615521	←	
	46	INSTALLATION INSTRUCTION	1	CWF615522	←	
	47	INSTALLATION INSTRUCTION	1	CWF615523	←	
	48	INSTALLATION INSTRUCTION	1	CWF615524	←	
	49	INSTALLATION INSTRUCTION	1	CWF615525	←	
	50	BAG	1	CWG861515	←	

SAFETY	REF. NO.	PART NAME & DESCRIPTION	QTY	CS-QE9PKE	CS-QE12PKE	REMARK
	51	SHOCK ABSORBER (L)	1	CWG713484	←	
	52	SHOCK ABSORBER (R)	1	CWG713485	←	
	53	C.C.CASE	1	CWG568509	←	

(Note)

- All parts are supplied from PAPAMY, Malaysia (Vendor Code: 00029488).
- “O” marked parts are recommended to be kept in stock.

19.2 Outdoor Unit



Note
The above exploded view is for the purpose of parts disassembly and replacement.
The non-numbered parts are not kept as standard service parts.

SAFETY	REF. NO.	PART NAME & DESCRIPTION	QTY	CU-NE9PKE	CU-NE12PKE	REMARK
	1	CHASSIS ASSY	1	CWD52K1310	←	
	2	SOUND PROOF MATERIAL	1	CWG302742	←	
	3	FAN MOTOR BRACKET	1	CWD541167	←	
	4	SCREW - FAN MOTOR BRACKET	2	CWH551217	←	
⚠	5	FAN MOTOR	1	ARS6411AC	←	O
	6	SCREW - FAN MOTOR MOUNT	4	CWH55252J	←	
	7	PROPELLER FAN ASSY	1	CWH03K1066	←	
	8	NUT - PROPELLER FAN	1	CWH56053J	←	
⚠	9	COMPRESSOR	1	5RD132XFD21	←	O
	10	ANTI - VIBRATION BUSHING	3	CWH50077	←	
	11	NUT - COMPRESSOR MOUNT	3	CWH561096	CWH56000J	
	12	CONDENSER	1	CWB32C3559	←	
	14	DISCHARGE MUFFLER	1	CWB121010	←	
	15	HOLDER COUPLING	1	CWH351233	←	
	16	2-WAYS VALVE (LIQUID)	1	CWB021590	←	O
	17	3-WAY VALVE (GAS)	1	CWB011374	←	O
⚠	19	REACTOR	1	G0C193J00004	G0C193J00016	O
	20	TERMINAL COVER	1	CWH171039A	←	
	21	NUT - TERMINAL COVER	1	CWH7080300J	←	
	22	SOUND PROOF BOARD	1	CWH151364	←	
	23A	SOUND PROOF MATERIAL	1	CWG302856	←	
	23B	SOUND PROOF MATERIAL	1	CWG302855	←	
	23C	SOUND PROOF MATERIAL	1	CWG302857	←	
	23D	SOUND PROOF MATERIAL	1	CWG302858	←	
	24	SENSOR CO. - COMP TEMP	1	CWA50C2894	←	O
⚠	26	ELECTRONIC CONTROLLER - MAIN	1	CWA73C7964R	CWA73C7965R	O
⚠	27	TERMINAL BOARD ASSY	1	CWA28K1036J	←	O
	28	CABINET SIDE PLATE CO.	1	CWE04C1482	←	
	29	SENSOR CO.- AIR AND PIPE TEMP	1	CWA50C2893	←	O
	30	CABINET SIDE PLATE (L)	1	CWE041617A	←	
	31	CABINET FRONT PLATE CO.	1	CWE06C1441	←	
	32	CABINET TOP PLATE	1	CWE031148A	←	
	33	PLATE - C.B.COVER	1	CWH131470A	←	
	34	CONTROL BOARD COVER CO.	1	CWH13C1253	←	
	35	CONTROL BOARD COVER	1	CWH131473	←	
	36	CRANKCASE HEATER (BASE PAN)	1	CWA341072	←	
	38	4-WAYS VALVE	1	CWB001063	←	
⚠	39	V-COIL COMPLETE	1	CWA43C2431	←	O
	41	HOLDER SENSOR	1	CWH32075	←	
	42	HOLDER SENSOR	2	CWH32143	←	
	48	STRAINER	1	CWB11094	←	
	49	EXPANSION VALVE	1	CWB051055	←	O
⚠	51	V-COIL COMPLETE	1	CWA43C2257	←	O
	52	BAG	1	CWG861078	←	
	53	BASE BOARD - COMPLETE	1	CWG62C1162	←	
	54	SHOCK ABSORBER (R)	1	CWG713415	←	
	55	SHOCK ABSORBER (L)	1	CWG713416	←	

SAFETY	REF. NO.	PART NAME & DESCRIPTION	QTY	CU-NE9PKE	CU-NE12PKE	REMARK
	56	C.C. CASE	1	CWG566848	←	

(Note)

- All parts are supplied from PAPAMY, Malaysia (Vendor Code: 00029488).
- "O" marked parts are recommended to be kept in stock.

SAFETY	REF. NO.	PART NAME & DESCRIPTION	QTY	CU-QE9PKE	CU-QE12PKE	REMARK
	1	CHASSIS ASSY	1	CWD52K1310	←	
	2	SOUND PROOF MATERIAL	1	CWG302742	←	
	3	FAN MOTOR BRACKET	1	CWD541167	←	
	4	SCREW - FAN MOTOR BRACKET	2	CWH551217	←	
⚠	5	FAN MOTOR	1	ARS6411AC	←	O
	6	SCREW - FAN MOTOR MOUNT	4	CWH55252J	←	
	7	PROPELLER FAN ASSY	1	CWH03K1066	←	
	8	NUT - PROPELLER FAN	1	CWH56053J	←	
⚠	9	COMPRESSOR	1	5RD132XFD21	←	O
	10	ANTI - VIBRATION BUSHING	3	CWH50077	←	
	11	NUT - COMPRESSOR MOUNT	3	CWH56000J	←	
	12	CONDENSER	1	CWB32C3559	←	
	14	DISCHARGE MUFFLER	1	CWB121010	←	
	15	HOLDER COUPLING	1	CWH351233	←	
	16	2-WAYS VALVE (LIQUID)	1	CWB021590	←	O
	17	3-WAY VALVE (GAS)	1	CWB011374	←	O
⚠	19	REACTOR	1	G0C193J00016	←	O
	20	TERMINAL COVER	1	CWH171039A	←	
	21	NUT - TERMINAL COVER	1	CWH7080300J	←	
	22	SOUND PROOF BOARD	1	CWH151364	←	
	23A	SOUND PROOF MATERIAL	1	CWG302856	←	
	23B	SOUND PROOF MATERIAL	1	CWG302855	←	
	23C	SOUND PROOF MATERIAL	1	CWG302857	←	
	23D	SOUND PROOF MATERIAL	1	CWG302858	←	
	24	SENSOR CO. - COMP TEMP	1	CWA50C2894	←	O
⚠	26	ELECTRONIC CONTROLLER - MAIN	1	CWA73C7964R	CWA73C7965R	O
⚠	27	TERMINAL BOARD ASSY	1	CWA28K1036J	←	O
	28	CABINET SIDE PLATE CO.	1	CWE04C1482	←	
	29	SENSOR CO.- AIR AND PIPE TEMP	1	CWA50C2893	←	O
	30	CABINET SIDE PLATE (L)	1	CWE041617A	←	
	31	CABINET FRONT PLATE CO.	1	CWE06C1441	←	
	32	CABINET TOP PLATE	1	CWE031148A	←	
	33	PLATE - C.B.COVER	1	CWH131470A	←	
	34	CONTROL BOARD COVER CO.	1	CWH13C1253	←	
	35	CONTROL BOARD COVER	1	CWH131473	←	
	36	CRANKCASE HEATER (BASE PAN)	1	CWA341072	←	
	38	4-WAYS VALVE	1	CWB001063	←	
⚠	39	V-COIL COMPLETE	1	CWA43C2431	←	O
	41	HOLDER SENSOR	1	CWH32075	←	
	42	HOLDER SENSOR	2	CWH32143	←	
	48	STRAINER	1	CWB11094	←	
	49	EXPANSION VALVE	1	CWB051055	←	O
⚠	51	V-COIL COMPLETE	1	CWA43C2257	←	O
	52	BAG	1	CWG861078	←	
	53	BASE BOARD - COMPLETE	1	CWG62C1162	←	
	54	SHOCK ABSORBER (R)	1	CWG713415	←	
	55	SHOCK ABSORBER (L)	1	CWG713416	←	

SAFETY	REF. NO.	PART NAME & DESCRIPTION	QTY	CU-QE9PKE	CU-QE12PKE	REMARK
	56	C.C. CASE	1	CWG566848	←	

(Note)

- All parts are supplied from PAPAMY, Malaysia (Vendor Code: 00029488).
- "O" marked parts are recommended to be kept in stock.