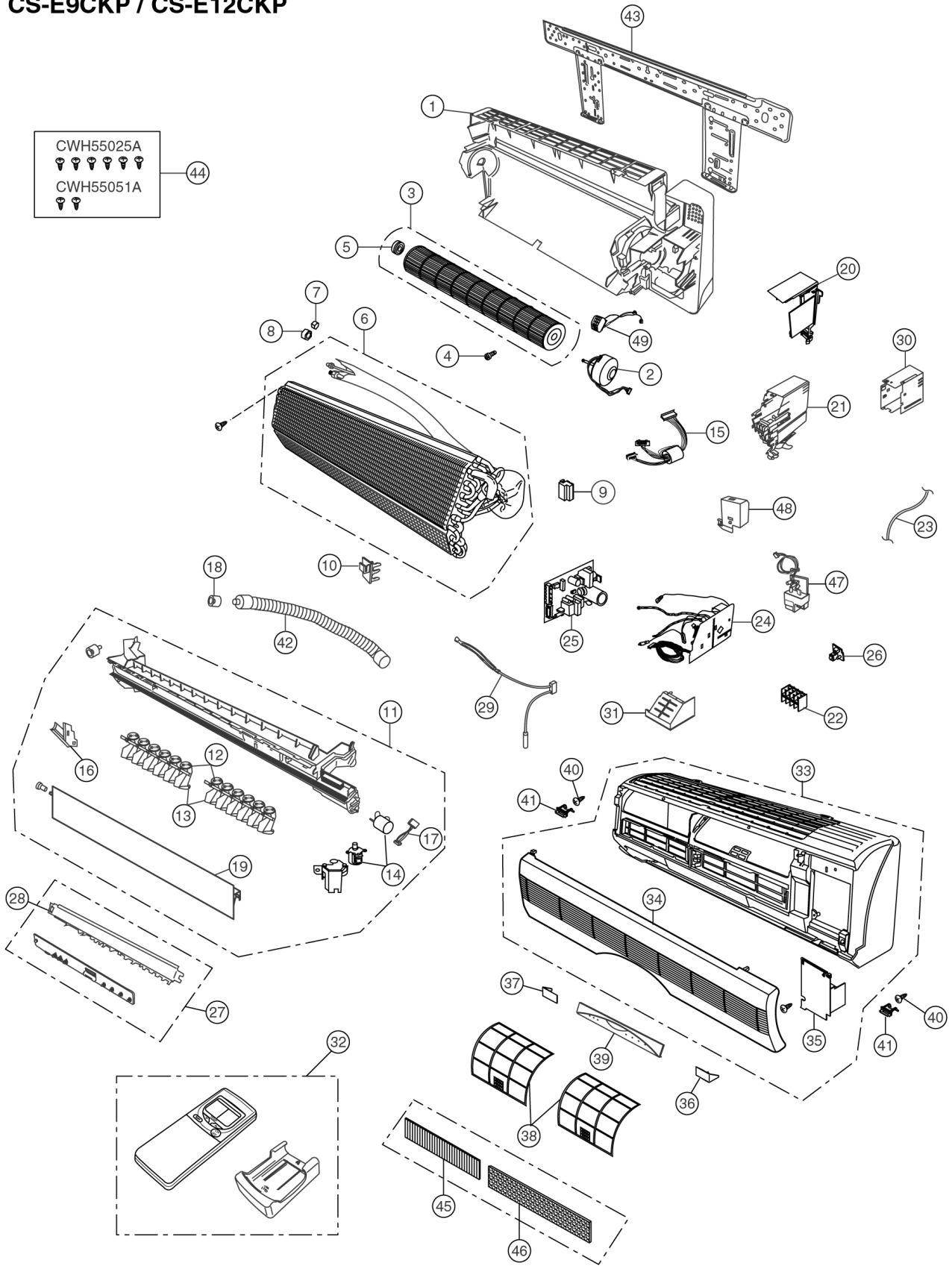


14 Exploded View

CS-E9CKP / CS-E12CKP



Note:
 The above exploded view is for the purpose of parts disassembly and replacement.
 The non-numbered parts are not kept as standard service parts.

15 Replacement Parts List

<Model: CS-E9CKP / CS-E12CKP>

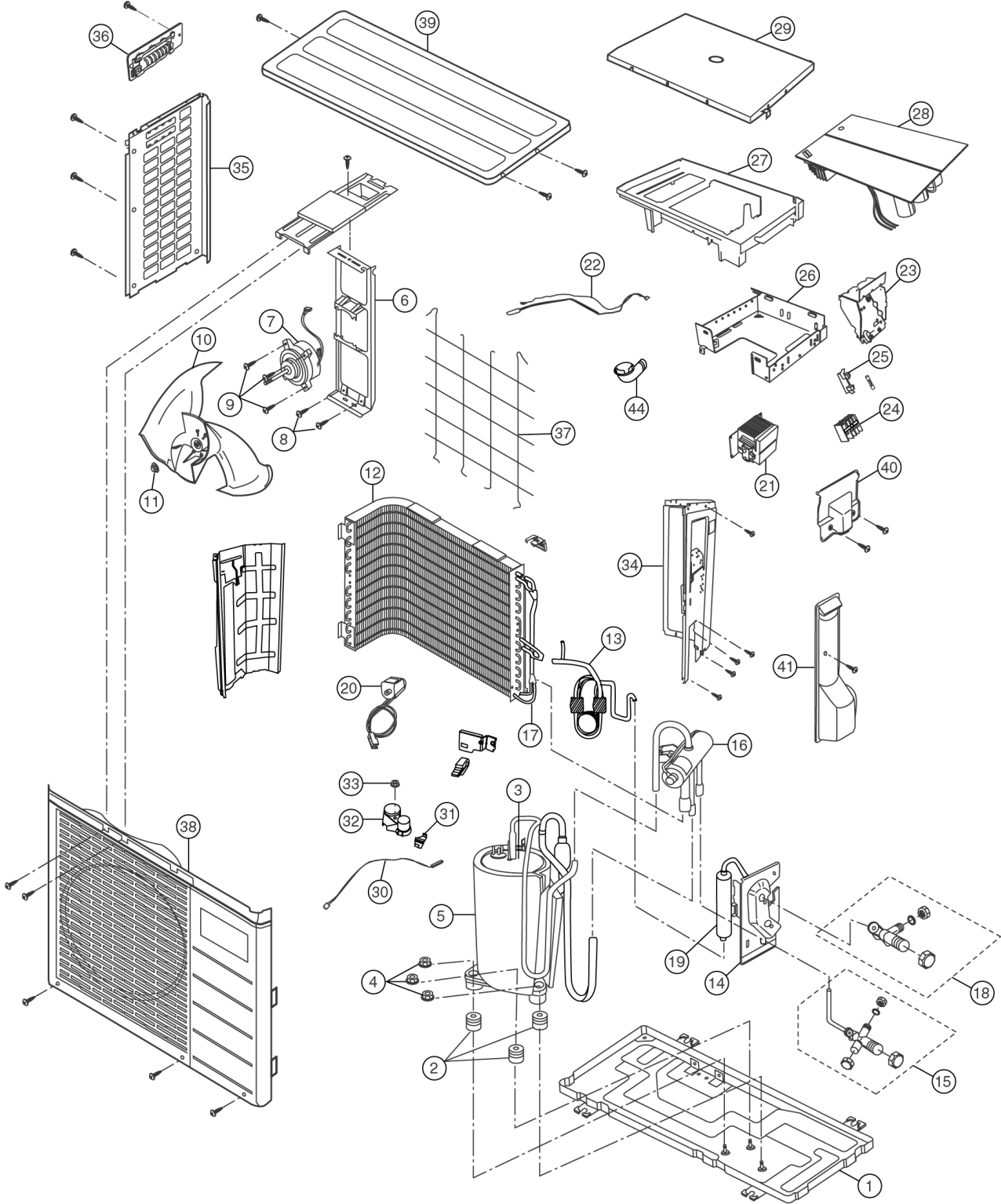
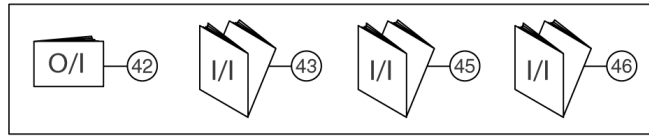
REF NO.	DESCRIPTION & NAME	QTY.	CS-E9CKP	CS-E12CKP	REMARKS
1	CHASSY COMPLETE	1	CWD50C1246	←	
2	FAN MOTOR	1	CWA981056	←	O
3	CROSS-FLOW FAN COMPLETE	1	CWH02C1012	←	
4	SCREW - CROSS-FLOW FAN	1	CWH4580304	←	
5	BEARING ASSY	1	CWH64K007	←	
6	EVAPORATOR	1	CWB30C1259	CWB30C1260	
7	FLARE NUT (1/4)	1	CWH6002140	←	
8	FLARE NUT	1	CWT25005 (3/8)	CWT25007 (1/2)	
9	ANTI-VIBRATION BUSHING	1	-	-	
10	INTAKE AIR SENSOR HOLDER	1	CWH32142	←	
11	DISCHARGE GRILLE COMPLETE	1	CWE20C2120	←	
12	VANE	12	CWE241088	←	
13	CONNECTING BAR	2	CWE261035	←	
14	AIR SWING MOTOR	2	CWA98260	←	O
15	LEADWIRE	1	CWA67C3849	←	
16	FULCRUM	1	CWH621013	←	
17	LEADWIRE - AIR SWING MOTOR	1	CWA67C3977	←	
18	CAP COMPLETE	1	CWH52C1001	←	
19	VANE	1	CWE241070	←	
20	PARTICULAR PIECE	1	CWD932162	←	
21	CONTROL BOARD	1	CWH102103	←	
22	TERMINAL BOARD COMPLETE	1	CWA28C2128	←	O
23	POWER SUPPLY CORD	1	CWA20C2208	CWA20C2238	
24	ELECTRONIC CONTROLLER-MAIN	1	CWA73C1361	CWA73C1362	O
25	ELECTRONIC CONTROLLER -P.SUPPLY	1	CWA742616	←	O
26	PCB RECEIVER	1	CWA73C1124	←	
27	INDICATOR COMPLETE	1	CWE39C1067	←	
28	INDICATOR HOLDER	1	CWD932163	←	
29	SENSOR COMPLETE	1	CWA50C2122	←	O
30	CONTROL BOARD COVER (TOP)	1	CWH131091	←	
31	CONTROL BOARD COVER (FRONT)	1	CWH131090	←	
32	REMOTE CONTROL COMPLETE	1	CWA75C2295	←	O
33	FRONT GRILLE COMPLETE	1	CWE11C2756	←	
34	INTAKE GRILLE	1	CWE22C1081	←	
35	GRILLE DOOR	1	CWE141033	←	
36	DECORATION BASE (RIGHT)	1	CWE351067	←	
37	DECORATION BASE (LEFT)	1	CWE351068	←	
38	AIR FILTER	2	CWD001047	←	
39	CONTROL PANEL	1	CWE312291	←	
40	SCREW FOR FRONT GRILLE	2	XTN4+16C	←	
41	CAP FOR FRONT GRILLE	2	CWH521062	←	
42	DRAIN HOSE	1	CWH85285	←	
43	INSTALLING HOLDER ASSY	1	CWH36K1006	←	
44	BAG COMPLETE FOR INSTALLATION	1	CWH82C067	←	
45	AIR PURIFYING FILTER	1	CWMD00C0001	←	O
46	TRIPLE DEODORIZING FILTER	1	CWMD00C0004	←	O
47	ELECTRONIC CONTROLLER - IONIZER	1	CWA743099	←	
48	CASING - IONIZER	1	CWD932228	←	
49	ION GENERATOR	1	CWH94C0001	←	

(Note)

- All parts are supplied from MAICO, Malaysia (Vendor Code: 061).
- "O" marked parts are recommended to be kept in stock.

16 Exploded View

CU-E9CKP5 / CU-E12CKP5



Note:
 The above exploded view is for the purpose of parts disassembly and replacement.
 The non-numbered parts are not kept as standard service parts.

17 Replacement Parts List

<Model: CU-E9CKP5 / CU-E12CKP5>

REF NO.	DESCRIPTION & NAME	QTY.	CU-E9CKP5	CU-E12CKP5	REMARKS
1	CHASSY ASSY	1	CWD50K2073	←	
2	ANTI-VIBRATION BUSHING	3	CWH50077	←	
3	COMPRESSOR	1	5CS102XEC	←	O
4	NUT-COMPRESSOR MOUNT	3	CWH56000	←	
5	SOUND PROOF MATERIAL	1	CWG302111	←	
6	FAN MOTOR BRACKET	1	CWD541030	←	
7	FAN MOTOR	1	CWA951125	CWA951126	O
8	SCREW - FAN MOTOR BRACKET	2	CWH551060	←	
9	SCREW - FAN MOTOR MOUNT	4	CWH55406	←	
10	PROPELLER FAN ASSY	1	CWH03K1006	←	
11	NUT - PROPELLER FAN	1	CWH56053	←	
12	CONDENSER	1	CWB32C1145	CWB32C1146	
13	TUBE ASS'Y CO (CAP./CHK VALVE)	1	CWT01C2360	CWT01C2361	
14	HOLDER-COUPLING COMPLETE	1	CWT01C2621	CWT01C2622	O
15	3 WAYS VALVE	1	CWB011074	CWB011075	O
16	4 WAYS VALVE	1	CWB001011	←	
17	STRAINER	1	CWMB110002	←	
18	2 WAYS VALVE	1	CWB021065	←	O
19	DRYER	1	CWB101015	←	
20	V-COIL COMPLETE	1	CWA43C2072	←	
21	REACTOR	1	CWA421050	CWA421051	
22	SENSOR COMPLETE	1	CWA50C2084	←	
23	CONTROL BOARD	1	CWH102122	←	
24	TERMINAL BOARD ASSY	1	CWA28K1036	←	
25	FUSE HOLDERS	1	K5D203BBA002	←	
26	CONTROL BOARD	1	CWH102114	←	
27	CONTROL BOARD	1	CWH102115	←	
28	ELECTRONIC CONTROLLER	1	CWA73C1164	CWA73C1165	
29	CONTROL BOARD COVER	1	CWH131104	←	
30	SENSOR COMPLETE	1	CWA50C2066	←	
31	HOLDER SENSOR	1	CWH321010	←	
32	TERMINAL COVER	1	CWH171001	←	
33	NUT-TERMINAL COVER	1	CWH7080300	←	
34	CABINET SIDE PLATE CO.	1	CWE04C1011	←	
35	CABINET SIDE PLATE (LEFT)	1	CWE041031A	←	
36	HANDLE	1	CWE161010	←	
37	WIRE NET	1	CWD041026	CWD041027	
38	CABINET FRONT PLATE CO.	1	CWE06C1039	←	
39	CABINET TOP PLATE	1	CWE031014A	←	
40	CONTROL BOARD COVER	1	CWH131110	←	
41	CONTROL BOARD COVER	1	CWH131093	←	
42	OPERATING INSTRUCTION	1	CWF563844	←	
43	INSTALLATION INSTRUCTION	1	CWF612334	←	
44	L-TUBE	1	CWH5850080	←	
45	INSTALLATION INSTRUCTION	1	CWF612335	←	
46	INSTALLATION INSTRUCTION	1	CWF612336	←	

(Note)

- All parts are supplied from MAICO, Malaysia (Vendor Code: 061).
- "O" marked parts are recommended to be kept in stock.