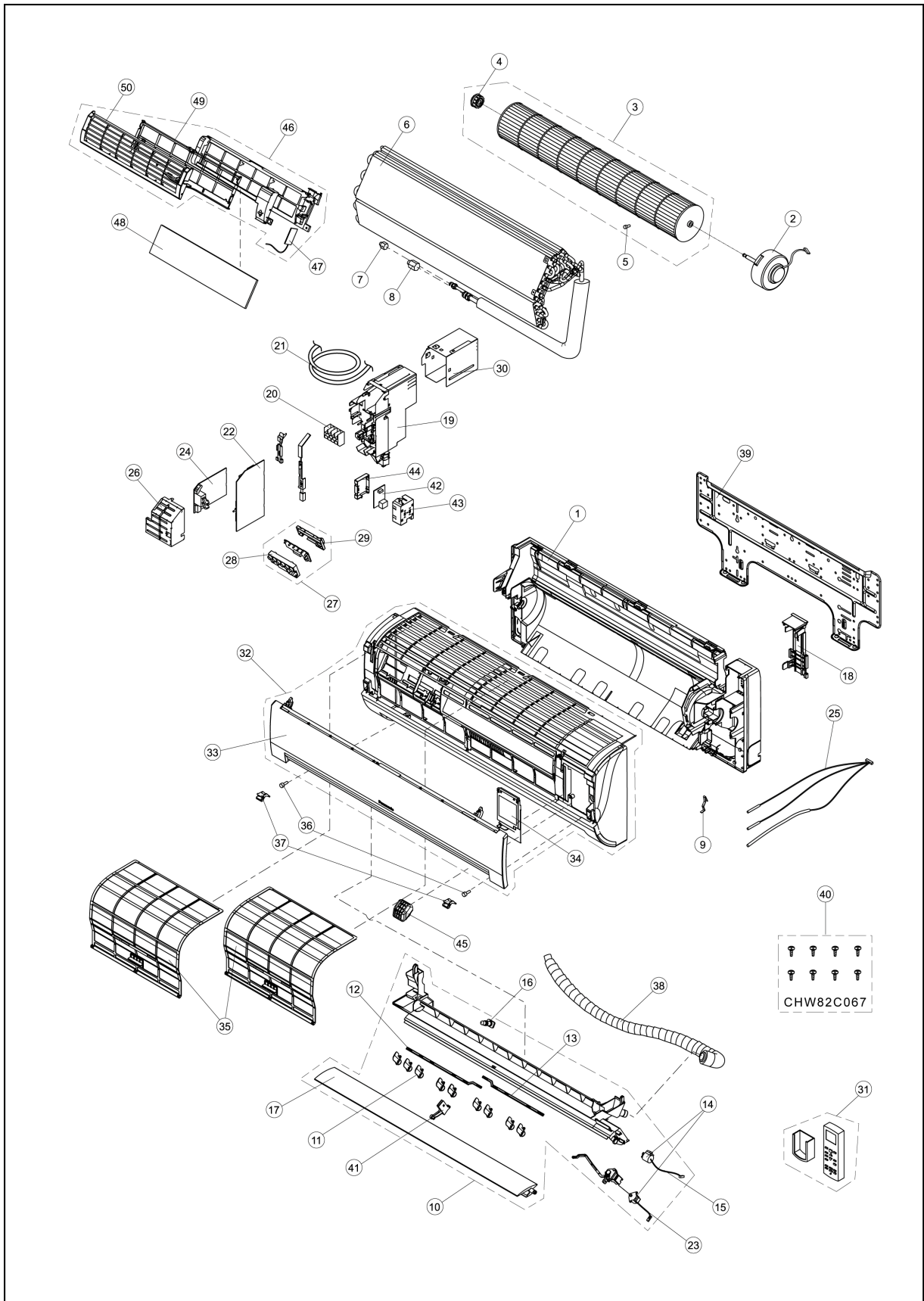


17 Exploded View And Replacement Parts List

17.1. CS-E9EKEB CS-E12EKEB



Note:

The above exploded view is for the purpose of parts disassembly and replacement.

The non-numbered parts are not kept as standard service parts.

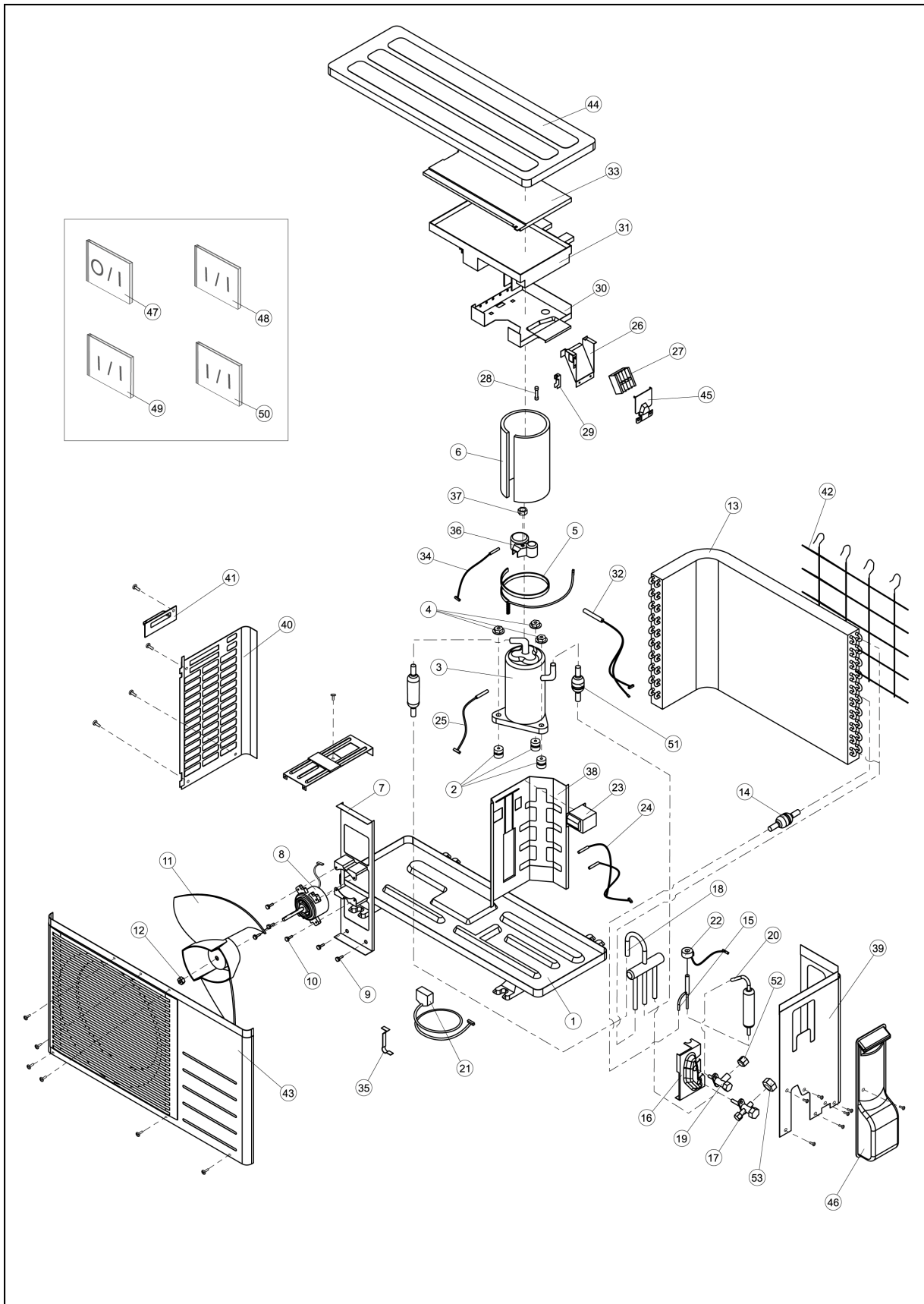
17.2. CS-E9EKEB CS-E12EKEB

REF. NO.	PART NAME & DESCRIPTION	QTY.	CS-E9EKEB	CS-E12EKEB	Remarks
1	CHASSY COMPLETE	1	CWD50C1431	←	
2	FAN MOTOR, DC 30W 3PH	1	CWA981149J	←	O
3	CROSS FLOW FAN COMPLETE	1	CWH02C1045	←	
4	BEARING ASSY	1	CWH64K007	←	
5	SCREW - CROSS FLOW FAN	1	CWH551146	←	
6	EVAPORATOR CO.	1	CWB30C1832	CWB30C1833	
7	FLARE NUT (1/4)	1	CWT251030	←	
8	FLARE NUT (3/8) (1/2)	1	CWT251031	CWT251032	
9	CLIP FOR SENSOR	1	CWH32143	←	
10	DISCHARGE GRILLE COMPLETE	1	CWE20C2343	←	
11	VERTICAL VANE	9	CWE241150	←	
12	CONNECTING BAR	1	CWE261072	←	
13	CONNECTING BAR	1	CWE261065	←	
14	A.S.MOTOR, DC SINGLE 12V 300Ω	2	CWA98260+MJ	←	O
15	LEADWIRE - AIR SWING MOTOR	1	CWA67C3849	←	
16	CAP - DRAIN TRAY	1	CWH521096	←	
17	HORIZONTAL VANE	1	CWE241173	←	
18	BACK COVER CHASSIS	1	CWD932454	←	
19	CONTROL BOARD CASING	1	CWH102289	←	
20	TERMINAL BOARD COMPLETE	1	CWA28C2069	←	O
21	P.S CORD WITHOUT PLUG	1	CWA20C2478	←	
22	ELECTRONIC CONTROLLER - MAIN	1	CWA73C2014	CWA73C2015	O
23	LEAD WIRE - AIR SWING MOTOR	1	CWA67C3977	←	O
24	ELECTRONIC CONTROLLER - POWER	1	CWA744060	←	
25	SENSOR COMPLETE	1	CWA50C2321	←	O
26	CONTROL BOARD FRONT COVER CO.	1	CWH13C1120	←	
27	INDICATOR COMPLETE	1	CWE39C1126	←	O
28	INDICATOR HOLDER	1	CWD932429	←	
29	INDICATOR HOLDER	1	CWD932430	←	
30	CONTROL BOARD TOP COVER	1	CWH131207	←	
31	REMOTE CONTROL COMPLETE	1	CWA75C2807	←	O
32	FRONT GRILLE CO.	1	CWE11C3138	←	O
33	INTAKE GRILLE COMPLETE	1	CWE22C1154	←	
34	GRILLE DOOR	1	CWE141073	←	
35	AIR FILTER	2	CWD001144	←	
36	SCREW - FRONT GRILLE	2	XTT4+16CFJ	←	
37	CAP - FRONT GRILLE	2	CWH521109	←	
38	DRAIN HOSE	1	CWH851063	←	
39	INSTALLATION PLATE	1	CWH361067	←	
40	BAG COMP. - INSTALLATION SCREW	1	CWH82C067	←	
41	FULCRUM	1	CWH621046	←	
42	ELECTRONIC CONTROLLER - IONIZER	1	CWA743675	←	O
43	CASING - IONIZER	1	CWD932464	←	
44	CASING - IONIZER	1	CWD932431	←	
45	ION GENERATOR	1	CWH94C0001	←	
46	SUPERSONIC AIR PURIFYING DEVICE	1	CWH91C1013	←	
47	ELEC. CONTROLLER - SUPERSONIC	1	CWA743874	←	O
48	SUPER ALLERU BUSTER FILTER	1	CWD00C1133	←	
49	FRAME FR AIR FILTER SUPERSONIC	1	CWD011026	←	
50	FRAME FR AIR FILTER SUPERSONIC	1	CWD011027	←	

(Note)

- All parts are supplied from PHAAM, Malaysia (Vendor Code: 061).
- "O" marked parts are recommended to be kept in stock.

17.3. CU-E9EKEB CU-E12EKEB



Note:

The above exploded view is for the purpose of parts disassembly and replacement.

The non-numbered parts are not kept as standard service parts.

17.4. CU-E9EKEB CU-E12EKEB

REF NO.	DESCRIPTION & NAME	QTY.	CU-E9EKEB	CU-E12EKEB	Remarks
1	CHASSY ASSY	1	CWD50K2140	←	
2	ANTI - VIBRATION BUSHING	3	CWH50077	←	
3	COMPRESSOR, DC 220V	1	5CS110XBD04	←	O
4	NUT - COMPRESSOR MOUNT	3	CWH56000J	←	
5	CRANKCASE HEATER	1	CWA341026	←	
6	SOUND PROOF MATERIAL	1	CWVG300001	←	
7	FAN MOTOR BRACKET	1	CWD541021	←	
8	FAN MOTOR, DC 40W 3PH	1	ARW44W8P40AC	←	O
9	SCREW - BRACKET FAN MOTOR	2	CWH551060J	←	
10	SCREW - FAN MOTOR MOUNT	4	CWH55252J	←	
11	PROPELLER FAN ASSY	1	CWH03K1013	←	
12	NUT - PROPELLER FAN	1	CWH56053J	←	
13	CONDENSER CO.	1	CWB32C1741	←	
14	STRAINER	1	CWB11094	←	
15	TUBE ASSY CO. (EXP. VALVE)	1	CWT01C3643-1	←	
16	HOLDER-COUPLING	1	CWH351025	←	
17	3-WAY VALVE	1	CWB011165J	CWB011316J	O
18	4-WAY VALVE	1	CWB001037J	←	O
19	2-WAY VALVE	1	CWB021180J	←	O
20	DRYER	1	CWB101016J	←	O
21	V-COIL CO. FOR 4-WAY VALVE	1	CWA43C2144J	←	O
22	V-COIL COMPLETE FOR EXP. VALVE	1	CWA43C2058J	←	
23	REACTOR	1	CWA421050	CWA421085	
24	SENSOR COMPLETE	1	CWA50C2241	←	
25	SENSOR COMPLETE	1	CWA50C2281	←	
26	CONTROL BOARD CASING	1	CWH102294	←	
27	TERMINAL BOARD ASSY	1	CWA28K1021J	←	
28	FUSE, 250V	1	XBA2C31TR0	←	
29	FUSE HOLDERS	1	K3GB1BH00005	←	
30	CONTROL BOARD CASING	1	CWH102293	←	
31	ELECTRONIC CONTROLLER - MAIN	1	CWA73C1996R	CWA73C1997R	O
32	OVER HEAT PROTECTOR COMPLETE	1	CWA14C1011	←	
33	CONTROL BOARD COVER	1	CWH131264	←	
34	SENSOR - COMPLETE	1	CWA50C2066	←	
35	CLIP FOR SENSOR	1	CWH321010	←	
36	TERMINAL COVER	1	CWH171001	←	
37	NUT FOR TERMINAL COVER	1	CWH7080300J	←	
38	SOUND PROOF BOARD	1	CWH151090	←	
39	CABINET SIDE PLATE	1	CWE041074A	←	
40	CABINET SIDE PLATE (LEFT)	1	CWE041144A	←	
41	HANDLE	1	CWE161010	←	
42	WIRE NET	1	CWD041054A	←	
43	CABINET FRONT PLATE CO.	1	CWE06C1136	←	
44	CABINET TOP PLATE	1	CWE031014A	←	
45	CONTROL BOARD COVER	1	CWH131213	←	
46	CONTROL BOARD COVER COMPLETE	1	CWH13C1145	←	
47	OPERATING INSTRUCTION	1	CWF565072	←	
48	INSTALLATION INSTRUCTION	1	CWF612893	←	
49	INSTALLATION INSTRUCTION	1	CWF612894	←	
50	INSTALLATION INSTRUCTION	1	CWF612895	←	
51	STRAINER	1	CWB111004	←	
52	FLARE NUT (1/4)	1	CWT251030	←	
53	FLARE NUT (3/8) (1/2)	1	CWT251031	CWT251032	

(Note)

- All parts are supplied from PHAAM Malaysia (Vendor Code: 061).
- "O" marked parts are recommended to be kept in stock.