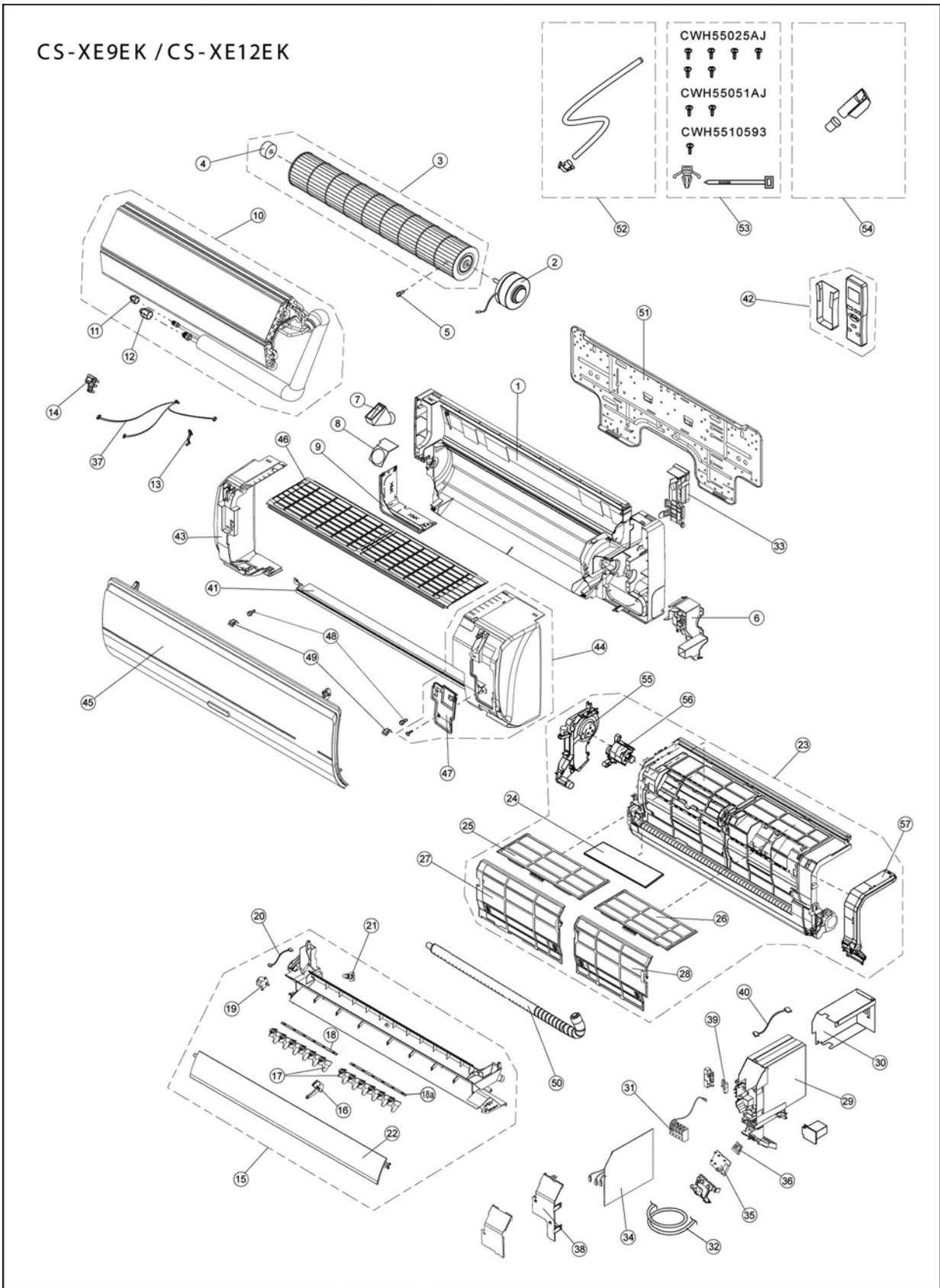


18 Exploded View and Replacement Parts List

18.1. Indoor Unit



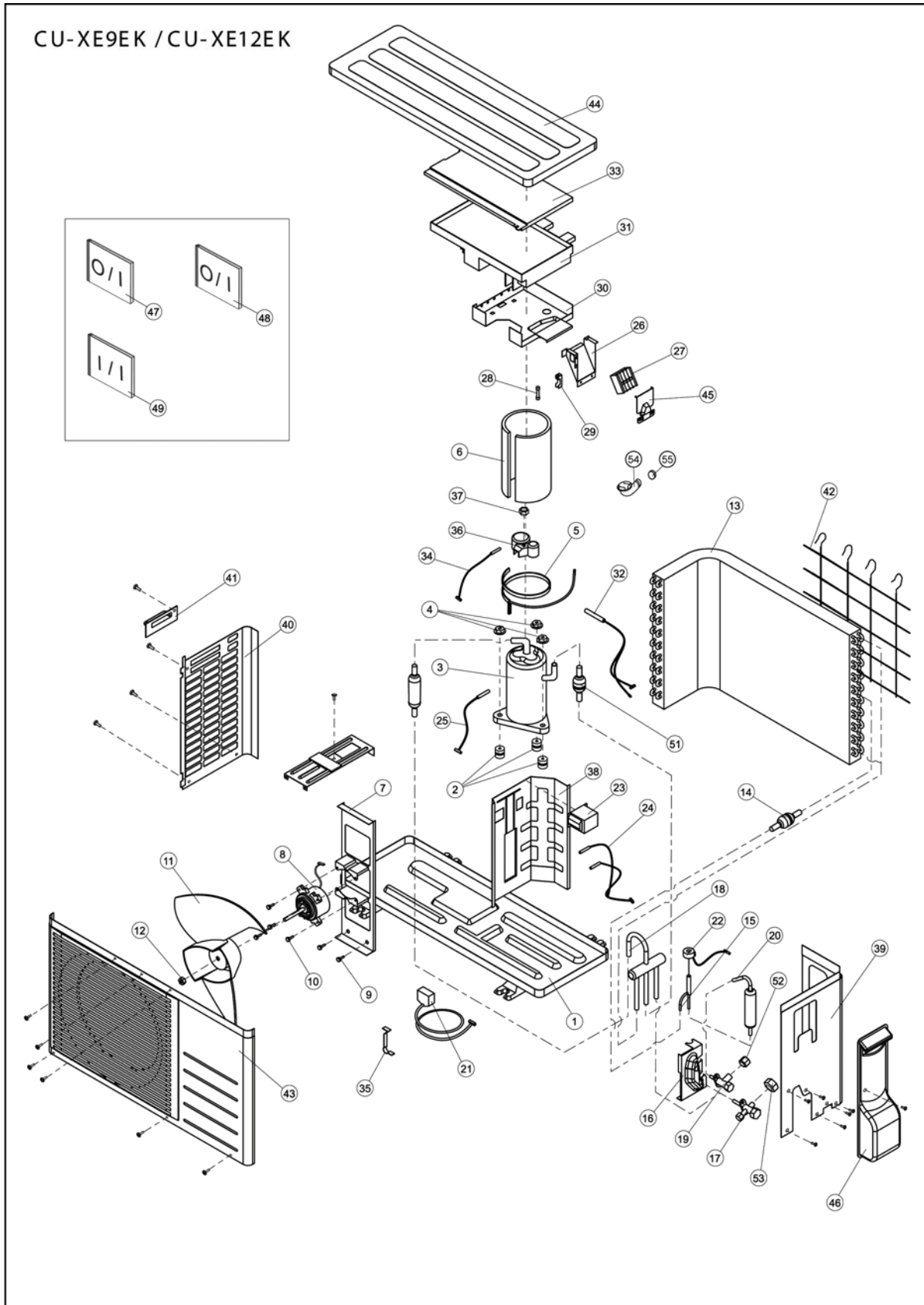
Note:
 The above exploded view is for the purpose of parts disassembly and replacement.
 The non-numbered parts are not kept as standard service parts.

REF. NO.	PART NAME & DESCRIPTION	QTY.	CS-XE9EKE	CS-XE12EKE	REMARKS
1	CHASSY COMPLETE	1	CWD50C1507	←	
2	FAN MOTOR	1	CWA981172J	←	0
3	CROSS FLOW FAN COMPLETE	1	CWH02C1045	←	
4	BEARING ASS'Y	1	CWH64K007	←	
5	SCREW - CROSS FLOW FAN	1	CWH551146	←	
6	CASING FOR FAN MOTOR	1	CWD911567	←	
7	DUCT - COMPLETE	1	CWD22C1037	←	
8	RETAINING RING	1	CWH581004	←	
9	L-SHAPE PLATE - FOR CHASSY	1	CWD601091	←	
10	EVAPORATOR CO.	1	CWB30C1813	CWB30C1814	
11	FLARE NUT	1	CWT251030 (1/4")	←	
12	FLARE NUT	1	CWT251031 (3/8")	CWT251032 (1/2")	
13	CLIP FOR SENSOR	1	CWH32143	←	
14	INTAKE AIR SENSOR HOLDER	1	CWH32142	←	
15	DISCHARGE GRILLE COMPLETE	1	CWE20C2479	←	
16	FULCRUM	1	CWH621060	←	
17	VERTICAL VANE	12	CWE241184	←	
18	CONNECTING BAR	1	CWE261090	←	
18a	CONNECTING BAR	1	CWE261087	←	
19	AIR SWING MOTOR	1	CWA981105J	←	0
20	LEAD WIRE - AIR SWING MOTOR	1	CWA67C5947	←	
21	CAP - DRAIN TRAY	1	CWH521096	←	
22	HORIZONTAL VANE COMPLETE	1	CWE24C1153	←	
23	FILTER CLEANING DEVICE CO.	1	CWD01C1028	←	
24	SUPER ALLERU BUSTER FILTER	1	CWD001202	←	
25	AIR FILTER (TOP LEFT)	1	CWD001194	←	
26	AIR FILTER (TOP RIGHT)	1	CWD001178	←	
27	AIR FILTER - COMPLETE (FRONT LEFT)	1	CWD00C1167	←	
28	AIR FILTER - COMPLETE (FRONT RIGHT)	1	CWD00C1168	←	
29	CONTROL BOARD CASING	1	CWH102288	←	
30	CONTROL BOARD COVER	1	CWH131250	←	
31	TERMINAL BOARD COMPLETE	1	CWA28C2265	←	0
32	POWER SUPPLY CORD	1	CWA20C2498	←	
33	BACK COVER CHASSIS	1	CWD932590	←	
34	ELECTRONIC CONTROLLER - MAIN	1	CWA73C2119	CWA73C2120	0
35	ELECTRONIC CO. - INDICATOR & RECEIVER	1	CWA744233	←	0
36	ELECTRONIC CO. - PUSH BUTTON	1	CWA744189	←	0
37	SENSOR COMPLETE	1	CWA50C2333	←	0
38	CONTROL BOARD COVER	1	CWH13C1134	←	
39	SAFETY SWITCH - FOR INTAKE GRILLE	1	K0KABF000013	←	0
40	LEAD WIRE FOR SAFETY SWITCH	1	CWA67C6062	←	
41	PLATE COVER	1	CWD91C0065	←	
42	REMOTE CONTROL COMPLETE	1	CWA75C2919	←	0
43	FRONT GRILLE COMPLETE - LEFT	1	CWE11C3453	←	
44	FRONT GRILLE COMPLETE - RIGHT	1	CWE11C3454	←	
45	INTAKE GRILLE COMPLETE	1	CWE22C1238	←	
46	INTAKE GRILLE COMPLETE	1	CWE22C1290	←	
47	GRILLE DOOR	1	CWE141089	←	
48	SCREW - FRONT GRILLE	2	XTT4+16CFJ	←	
49	CAP - FRONT GRILLE	2	CWH521139	←	
50	DRAIN HOSE	1	CWH851063	←	
51	INSTALLATION PLATE	1	CWH361077	←	
52	FLEXIBLE PIPE ASS'Y	1	CWH85K1002	←	
53	ACCESSORY - COMPLETE - SCREW	1	CWH82C1357	←	
54	ACCESSORY - COMPLETE - DAMPER	1	CWH82C1390	←	
55	VENTILATION DEVICE COMPLETE	1	CWH20C1004	←	
56	GEAR COMPLETE	1	CWH68C1025	←	
57	NOZZLE COMPLETE	1	CWH43C1008	←	

(Note)

- All parts are supplied from PHAAM, Malaysia (Vendor Code: 061).
- "O" marked parts are recommended to be kept in stock.

18.2. Outdoor Unit



Note:

The above exploded view is for the purpose of parts disassembly and replacement.
The non-numbered parts are not kept as standard service parts.

REF. NO.	PART NAME & DESCRIPTION	QTY.	CU-XE9EKE	CU-XE12EKE	REMARKS
1	CHASSY ASS'Y	1	CWD50K2117	←	
2	ANTI - VIBRATION BUSHING	3	CWH50077	←	
3	COMPRESSOR, DC 220V	1	5CS110XBD04	←	0
4	NUT - COMPRESSOR MOUNT	3	CWH56000J	←	
5	CRANKCASE HEATER	1	CWA341026	←	
6	SOUND PROOF MATERIAL	1	CWMG300001	←	
7	FAN MOTOR BRACKET	1	CWD541021	←	
8	FAN MOTOR, DC 40W 3PH	1	ARW44W8P40AC	←	0
9	SCREW - BRACKET FAN MOTOR	2	CWH551060J	←	
10	SCREW - FAN MOTOR MOUNT	4	CWH55252J	←	
11	PROPELLER FAN ASS'Y	1	CWH03K1013	←	
12	NUT - PROPELLER FAN	1	CWH56053J	←	
13	CONDENSER CO.	1	CWB32C1741	←	
14	STRAINER	1	CWB11094	←	
15	TUBE ASS'Y (EXP. VALVE)	1	CWT01C3643	←	
16	HOLDER COUPLING	1	CWH351025	←	
17	3-WAY VALVE	1	CWB011165J	CWB011316J	0
18	4-WAY VALVE	1	CWB001037J	←	0
19	2-WAY VALVE	1	CWB021180J	←	0
20	DRYER	1	CWB101016J	←	0
21	V-COIL CO. FOR 4-WAY VALVE	1	CWA43C2144J	←	0
22	V-COIL COMPLETE FOR EXP. VALVE	1	CWA43C2058J	←	
23	REACTOR	1	CWA421050	GOA193M00001	
24	SENSOR COMPLETE	1	CWA50C2241	←	
25	SENSOR COMPLETE	1	CWA50C2281	←	
26	CONTROL BOARD CASING	1	CWH102294	←	
27	TERMINAL BOARD ASS'Y	1	CWA28K1021J	←	
28	FUSE, 250V	1	XBA2C31TRO	←	
29	FUSE HOLDERS	1	K3GB1BH00005	←	
30	CONTROL BOARD CASING	1	CWH102293	←	
31	ELECTRONIC CONTROLLER - MAIN	1	CWA73C1998R	CWA73C1999R	
32	OVER HEAT PROTECTOR COMPLETE	1	CWA14C1011	←	
33	CONTROL BOARD COVER	1	CWH131264	←	
34	SENSOR - COMPLETE	1	CWA50C2066	←	
35	CLIP FOR SENSOR	1	CWH321010	←	
36	TERMINAL COVER	1	CWH171001	←	
37	NUT FOR TERMINAL COVER	1	CWH7080300J	←	
38	SOUND PROOF BOARD	1	CWH151090	←	
39	CABINET SIDE PLATE	1	CWE041074A	←	
40	CABINET SIDE PLATE (L)	1	CWE041144A	←	
41	HANDLE	1	CWE161010	←	
42	WIRE NET	1	CWD041054A	←	
43	CABINET FRONT PLATE CO.	1	CWE06C1136	←	
44	CABINET TOP PLATE	1	CWE031014A	←	
45	CONTROL BOARD COVER	1	CWH131213	←	
46	CONTROL BOARD COVER COMPLETE	1	CWH13C1145	←	
47	OPERATION INSTRUCTIONS	1	CFW565101	←	
48	OPERATION INSTRUCTIONS	1	CFW565102	←	
49	INSTALLATION INSTRUCTIONS	1	CFW612909	←	
51	STRAINER	1	CWB111004	←	
52	FLARE NUT (1/4)	1	CWT251030	←	
53	FLARE NUT (3/8) (1/2)	1	CWT251031	CWT251032	
54	FLEXIBLE PIPE - L-TUBE	1	CWH5850080	←	
55	PACKING	1	CWB81012	←	

(Note)

- All parts are supplied from PHAAM, Malaysia (Vendor Code: 061).
- "O" marked parts are recommended to be kept in stock.