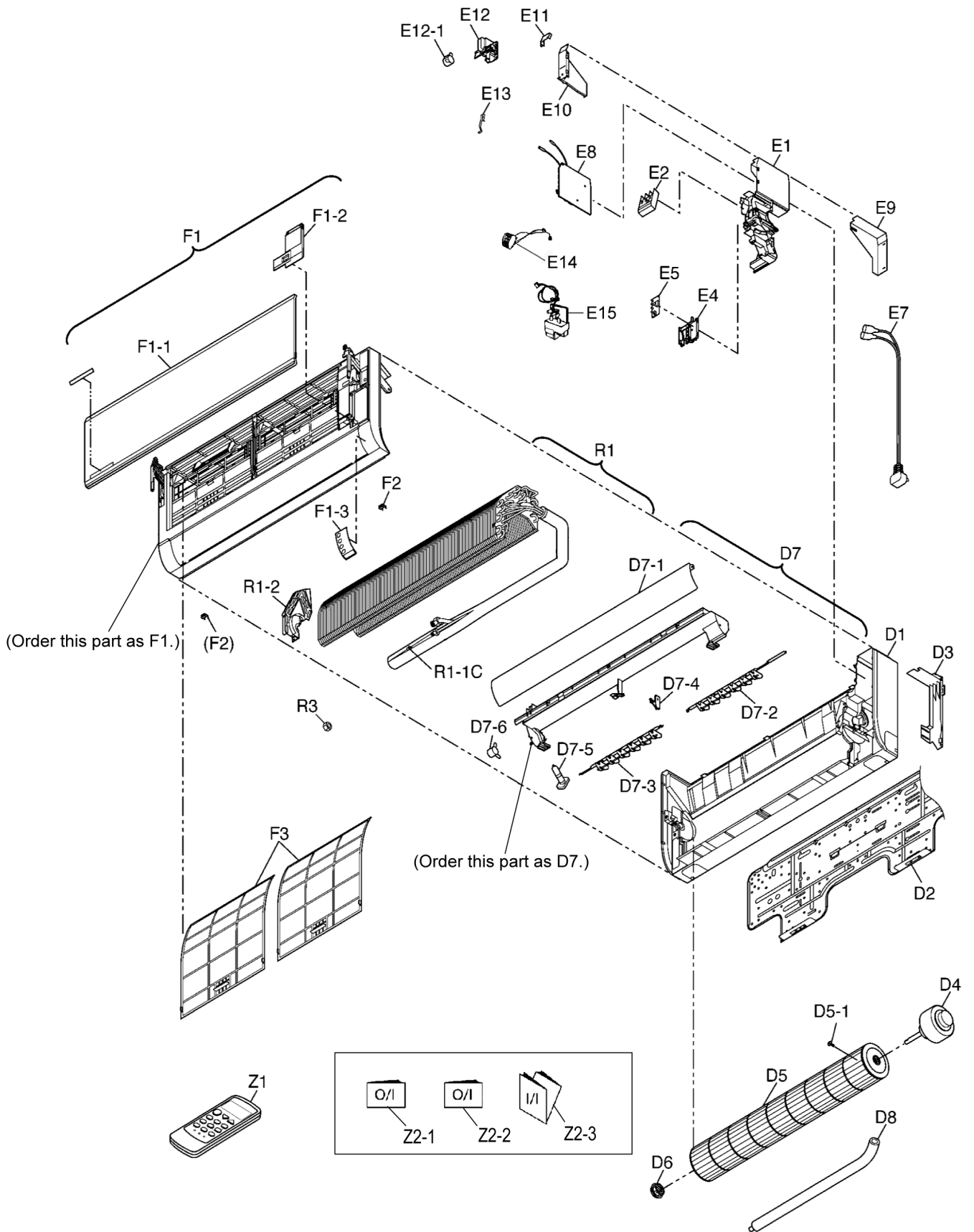


15 Exploded View and Replacement Parts List

15.1. Exploded View (Indoor Unit)



Note:

The above exploded view is for the purpose of parts disassembly and replacement.

The non-numbered parts are not kept as standard service parts.

15.2. Replacement Parts List (Indoor Unit)

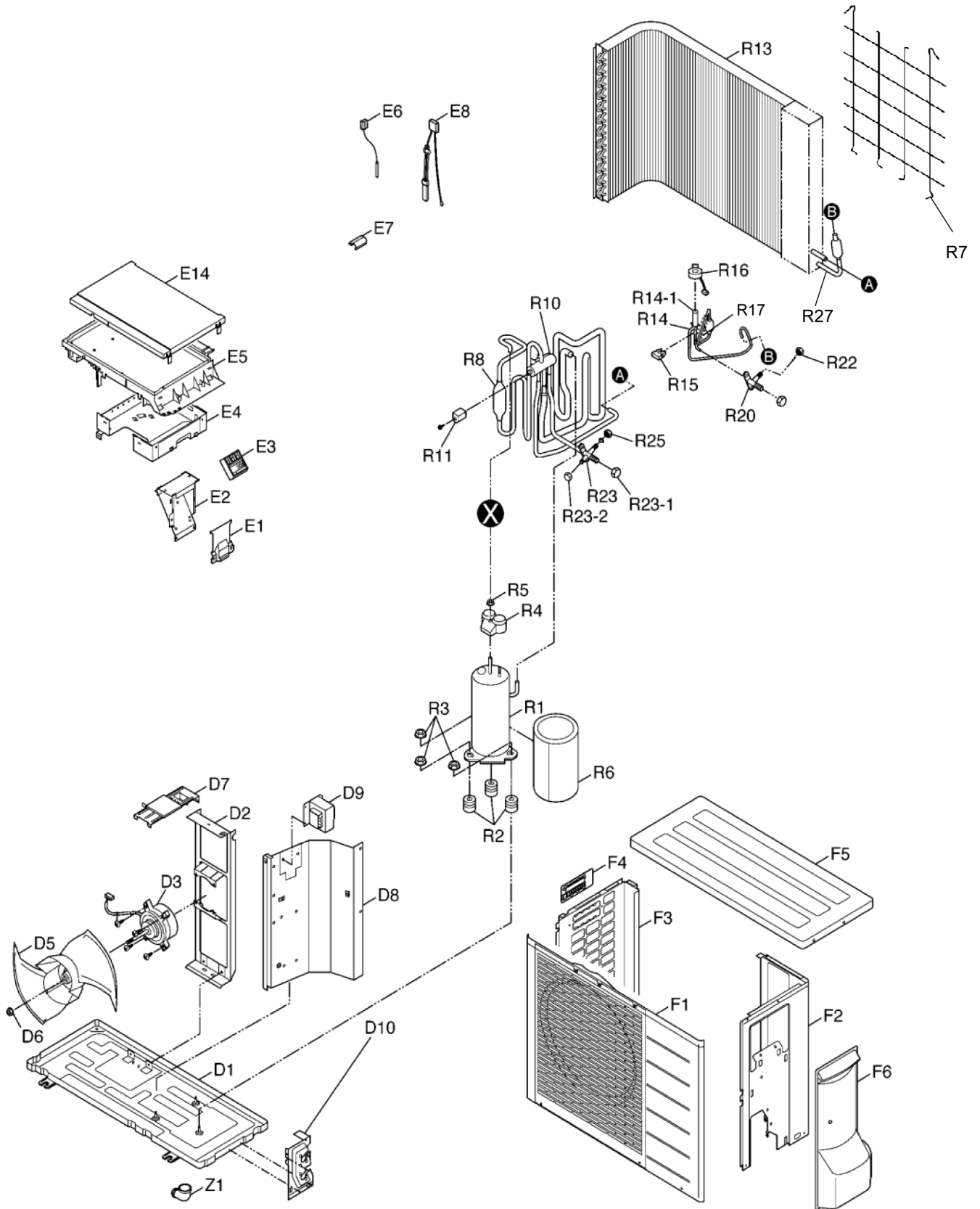
<Models: CS-TE9DKE CS-TE12DKE>

REF. NO.	PART NAME & DESCRIPTION	QTY.	CS-TE9DKE	CS-TE12DKE	REMARKS
D1	CHASSY COMPLETE	1	CWD50C1418	←	
D2	INSTALLATION PLATE	1	CWH361074	←	
D3	PIPE HOLDING PLATE	1	CWD911465	←	
D4	FAN MOTOR	1	ARW41E8P30AC	←	0
D5	CROSS FLOW FAN COMPLETE	1	CWH02K1029	←	
D5-1	SCREW - CROSS FLOW FAN	1	CWH4580304	←	
D6	BEARING ASS'Y	1	CWH64K1005	←	
D7	DISCHARGE GRILLE COMPLETE	1	CWE20C2423	←	
D7-1	VERTICAL VANE	1	CWE24C1115	←	
D7-2	HORIZONTAL VANE COMPLETE (R)	1	CWE24C1106	←	
D7-3	HORIZONTAL VANE COMPLETE (L)	1	CWE24C1107	←	
D7-4	FULCRUM	1	CWH621050	←	
D7-5	CAP (DRAIN CAP)	1	CWH521091	←	
D7-6	AIR SWING MOTOR	1	CWA981106	←	0
D8	DRAIN HOSE	1	CWH851107	←	
E1	CONTROL BOARD CASING	1	CWH102280	←	
E2	TERMINAL BOARD COMPLETE	1	CWA28C2233	←	0
E4	DISPLAY PCB HOLDER	1	CWD932475	←	
E5	ELECTRONIC CONTROLLER - RECEIVER, INDICATOR	1	CWA743634	←	0
E7	POWER SUPPLY CORD	1	CWA20C2432	←	
E8	ELECTRONIC CONTROLLER - MAIN	1	CWA73C1810	←	0
E9	CONTROL COVER (LOWER)	1	CWH131229	←	
E10	CONTROL COVER (PLASTIC PLATE - UPPER)	1	CWH131232	←	
E11	CONTROL COVER (STEEL PLATE - UPPER)	1	CWH131230	←	
E12	GEAR (FRONT PANEL OPEN/CLOSE MOTOR)	1	CWH68C1022	←	
E12-1	FRONT PANEL OPEN/CLOSE MOTOR	1	CWA981126	←	
E13	SENSOR HOLDER (PIPE TEMP)	1	CWH32137	←	
E14	ELECTRONIC CONTROLLER - IONIZER	1	CWA73C1791	←	
E15	ION GENERATOR	1	CWH94C0005	←	
F1	FRONT GRILLE COMPLETE	1	CWE11C3206XA	←	
F1-1	FRONT PANEL (INTALE GRILLE)	1	CWE22C1184XA	←	
F1-2	DOOR (INTERCONNECT CABLE)	1	CWE141087A	←	
F1-3	INDICATOR	1	CWE312539	←	
F2	CAP	2	CWH521121	←	
F3	AIR FILTER	2	CWD001149	←	
R1	EVAPORATOR COMPLETE (WITH PIPE)	1	CWB30C1608X	CWB30C1706X	
R1-1C	FLARE NUT (1/4")	1	CWT25086	←	
R1-2	EVAPORATOR HOLDER	1	CWD61048	←	
R3	FLARE NUT (3/8")	1	CWT25087		
R3	FLARE NUT (1/2")	1		CWT25096	
Z1	REMOTE CONTROL COMPLETE	1	CWA75C2686X	←	
Z2-1	OPERATION INSTRUCTION	1	CWF564718	←	
Z2-2	OPERATION INSTRUCTION	1	CWF564719	←	
Z2-3	INSTALLATION INSTRUCTION	1	CWF612743	←	

(Note)

- All parts are supplied from ACD, Japan.
- "0" marked parts are recommended to be kept in stock.

15.3. Exploded View (Outdoor Unit)



Note:

The above exploded view is for the purpose of parts disassembly and replacement.
The non-numbered parts are not kept as standard service parts.

15.4. Replacement Parts List (Outdoor Unit)

<Models: CU-TE9DKE CU-TE12DKE>

REF NO.	DESCRIPTION & NAME	QTY.	CU-TE9DKE	CU-TE12DKE	REMARKS
D1	CHASSY ASSY	1	CWD50K2126X	←	
D2	FAN MOTOR BRACKET	1	CWD541021	←	
D3	FAN MOTOR	1	ARW44W8P40AC	←	O
D5	PROPELLER FAN	1	CWH03K1014	←	
D6	NUT - PROPELLER FAN	1	CWH561034J	←	
D7	FAN MOTOR MOUNT PLATE (UPPER)	1	CWMD910001X2	←	
D8	SOUND PROOF BOARD	1	CWH151067RX	←	
D9	REACTOR	1	G0A193M00003	G0A193M00002	
D10	COUPLING MOUNT PLATE	1	CWMH350001	←	
E1	CONTROL COVER (TERMINAL PLATE COVER)	1	CWH131244X	←	
E2	CONTROL PLATE CASING (TERMINAL BOARD)	1	CWH102284	←	
E3	TERMINAL BOARD	1	CWA38K1121	←	
E4	CONTROL BOARD COVER (ELECTRONIC CONTROLLER - LOWER)	1	CWH102247	←	
E5	ELECTRONIC CONTROLLER - MAIN	1	CWA73C1821R	CWA73C1822R	O
E6	SENSOR COMPLETE	1	CWA50C2281	←	
E7	SENSOR HOLDER (OUTDOOR TEMP.)	1	CWH321046	←	
E8	SENSOR COMPLETE	1	CWA50C2241	←	
E14	CONTROL BOARD COVER (ELECTRONIC CONTROLLER - UPPER)	1	CWH131206XD	←	
F1	CABINET FRONT PLATE	1	CWE06C1115	←	
F2	CABINET SIDE PLATE (RIGHT)	1	CWE04C1052	←	
F3	CABINET SIDE PLATE (LEFT)	1	CWE041054	←	
F4	HANDLE	1	CWE161001	←	
F5	CABINET TOP PLATE	1	CWE031053	←	
F6	CONTROL BOARD COVER (2-, 3-WAY VALVE COVER)	1	CWMH13C0002	←	
R1	COMPRESSOR	1	CWB092330	←	O
R2	ANTI-VIBRATION BUSHING	3	CWH501022	←	
R3	NUT - COMPRESSOR MOUNT	3	CWH56000J	←	
R4	TERMINAL COVER	1	CWH17006	←	
R5	NUT - TERMINAL COVER	1	CWH7080300J	←	
R6	SOUND PROOF MATERIAL	1	CWVG300001	←	
R7	WIRE NET	1	CWD041046	←	
R8	LIQUID RECEIVER (MULTI BEND TUBE - MULTI BEND TUBE)	1	CWB14011	←	
R10	4-WAY VALVE	1	CWB001037J	←	
R11	V-COIL COMPLETE (4-WAY VALVE)	1	CWA43C2144J	←	
R13	CONDENSER	1	CWB32C1471XA	←	
R14	TUBE ASS'Y (WITH EXPANSION VALVE)	1	CWT01C3271	←	
R14-1	EXPANSION VALVE	1	CWB051016J	←	
R15	BUSHING (EXPANSION VALVE)	1	CWMH510005	←	
R16	V-COIL COMPLETE (EXPANSION VALVE)	1	CWA43C2058J	←	
R17	DRYER	1	CWB101016	←	
R20	2-WAY VALVE	1	CWB021180J	←	O
R22	FLARE NUT (1/4")	1	CWT25086	←	
R23	3-WAY VALVE COMPLETE (GAS)	1	CWB011165J	CWB011316J	O
R23-1	CAP (VALVE ROD)	1	CWH521098	←	
R23-2	CAP (SERVICE PORT)	1	CWH521099	←	
R25	FLARE NUT (3/8")	1	CWT25087	←	
R25	FLARE NUT (1/2")	1		CWY25096	
R27	STRAINER (MULTI BEND TUBE - U-TUBE)	1	CWB111004	←	
Z1	L-TUBE (DRAIN ELBOW)	1	CWT20C022	←	

(Note)

- All parts are supplied from ACD, Japan.
- "O" marked parts are recommended to be kept in stock.