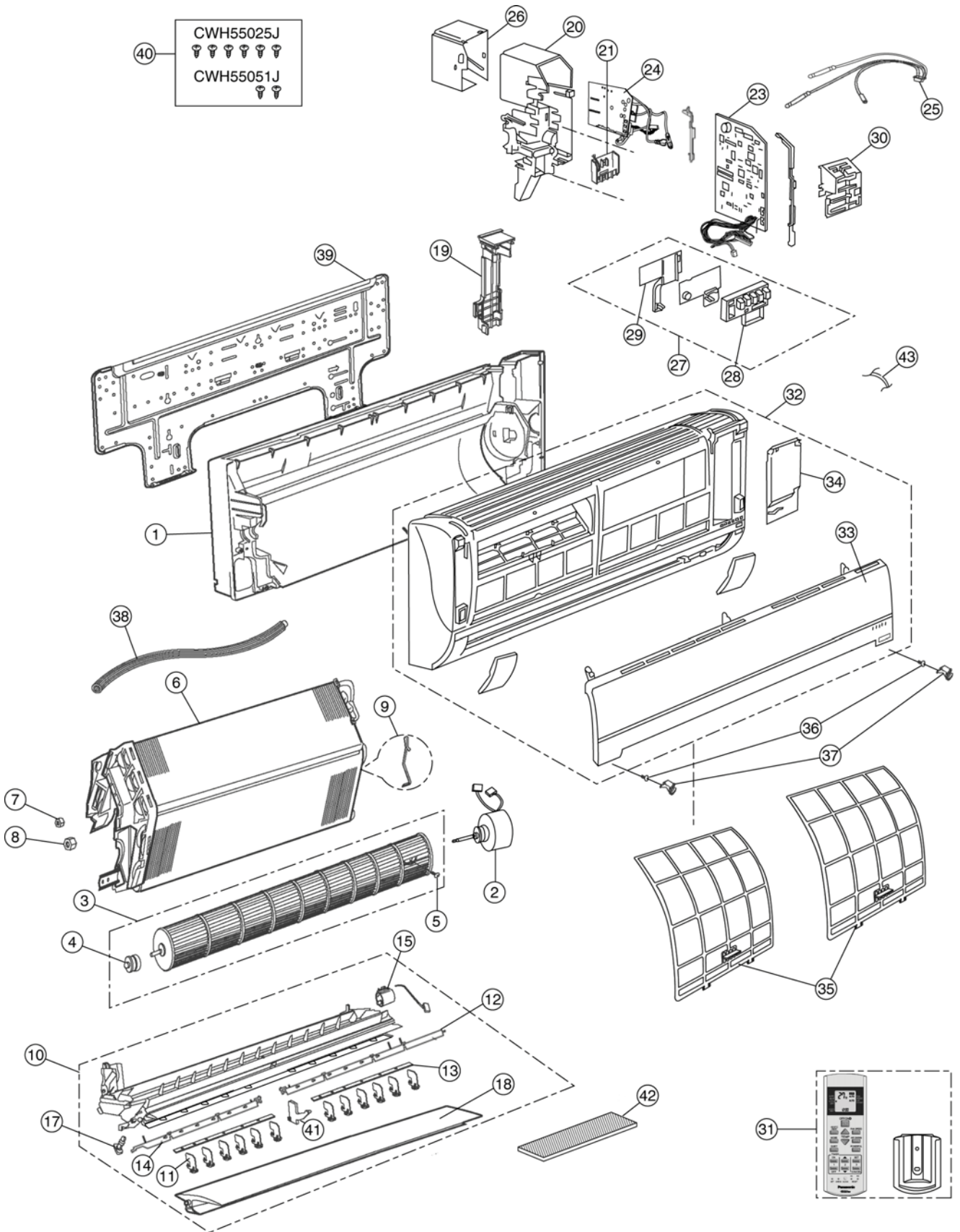


17 Exploded View and Replacement Parts List

17.1. Indoor Unit



Note

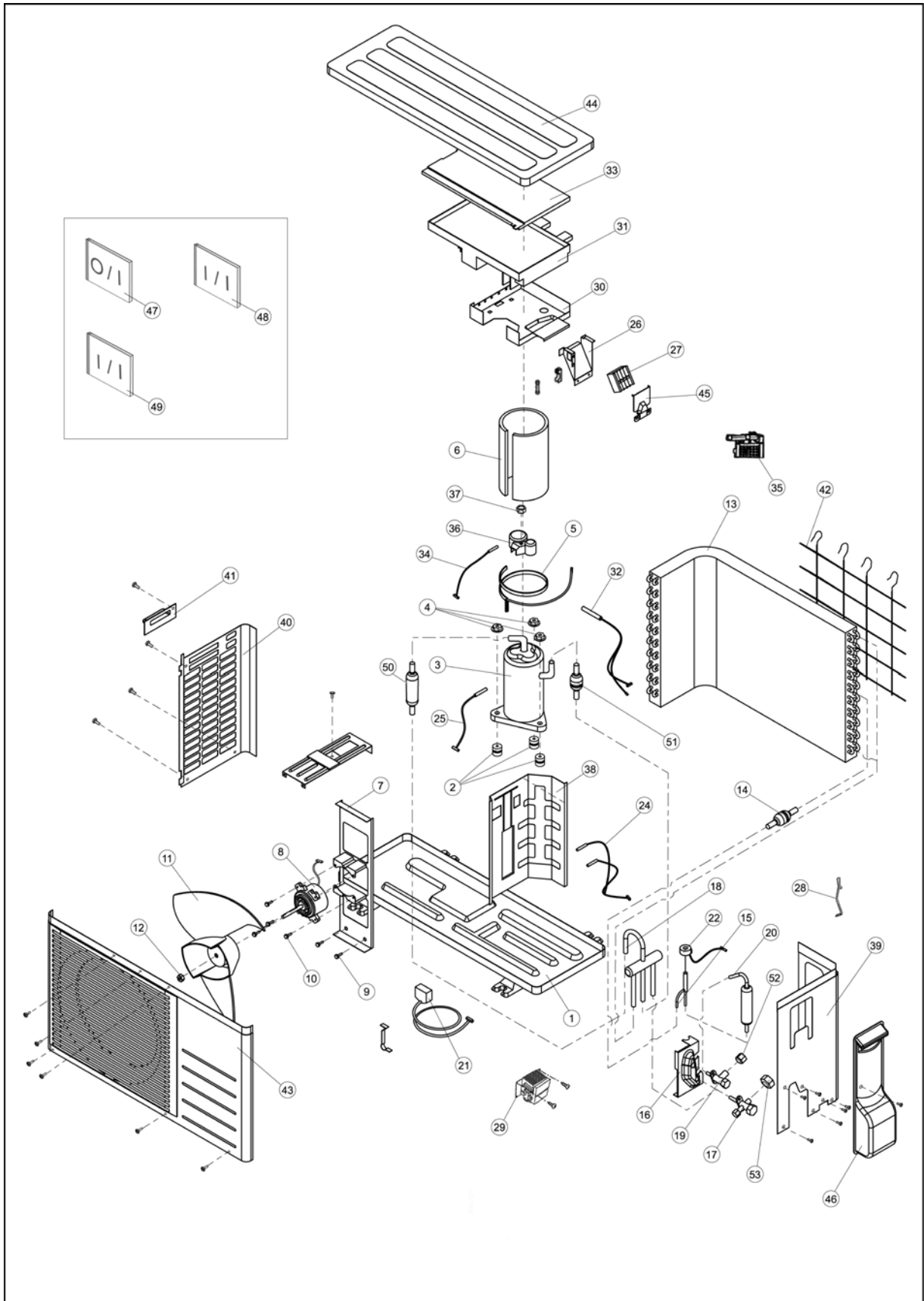
The above exploded view is for the purpose of parts disassembly and replacement. The non-numbered parts are not kept as standard service parts.

REF. NO.	PART NAME & DESCRIPTION	QTY.	CS-NE7GKE	CS-NE9GKE	CS-NE12GKE	REMARKS
1	CHASSY COMPLETE	1	CWD50C1513	←	←	
2	FAN MOTOR	1	ARW61F8P30AC	←	←	O
3	CROSS FLOW FAN COMPLETE	1	CWH02C1045	←	←	
4	BEARING ASSY	1	CWH64K007	←	←	
5	SCREW - CROSS FLOW FAN	1	CWH551146	←	←	
6	EVAPORATOR	1	CWB30C2247	CWB30C2232	CWB30C2236	
7	FLARE NUT (1/4")	1	CWT251030	←	←	
8	FLARE NUT (3/8") (1/2")	1	CWT251031	←	CWT251032	
9	CLIP FOR SENSOR	2	CWH32143	←	←	
10	DISCHARGE GRILLE COMPLETE	1	CWE20C2627	←	←	
11	VERTICAL VANE	12	CWE241157	←	←	
12	CONNECTING BAR	1	CWE261092	←	←	
13	CONNECTING BAR	2	CWE261071	←	←	
14	CONNECTING BAR	1	CWE261091	←	←	
15	AIR SWING MOTOR	1	CWA981091	←	←	O
17	CAP - DRAIN TRAY	1	CWH521096	←	←	
18	HORIZONTAL VANE COMPLETE	1	CWE24C1183	←	←	
19	BACK COVER CHASSIS	1	CWD932454	←	←	
20	CONTROL BOARD CASING	1	CWH102321	←	←	
21	TERMINAL BOARD COMPLETE	1	CWA28C2306	←	←	O
23	ELECTRONIC CONTROLLER - MAIN	1	CWA73C2792	CWA73C2793	CWA73C2794	O
24	ELECTRONIC CONTROLLER - POWER	1	CWA744909	←	←	O
25	SENSOR COMPLETE	1	CWA50C2404	←	←	O
26	CONTROL BOARD FRONT COVER	1	CWH131207	←	←	
27	INDICATOR COMPLETE	1	CWE39C1180	←	←	O
28	INDICATOR HOLDER	1	CWD932744	←	←	
29	INDICATOR HOLDER	1	CWD932745	←	←	
30	CONTROL BOARD FRONT COVER CO.	1	CWH13C1171	←	←	
31	REMOTE CONTROL COMPLETE	1	CWA75C3117	←	←	O
32	FRONT GRILLE COMPLETE	1	CWE11C3880	←	←	O
33	INTAKE GRILLE COMPLETE	1	CWE22C1396	←	←	
34	GRILLE DOOR	1	CWE14C1010	←	←	
35	AIR FILTER	2	CWD001243	←	←	
36	SCREW - FRONT GRILLE	2	XTT4+16CFJ	←	←	
37	CAP - FRONT GRILLE	2	CWH521109	←	←	
38	DRAIN HOSE	1	CWH851063	←	←	
39	INSTALLATION PLATE	1	CWH361067	←	←	
40	BAG COMPLETE - INSTALLATION SCREW	1	CWH82C067	←	←	
41	FULCRUM	1	CWH621049	←	←	
42	SUPER ALLERU-BUSTER FILTER	1	CWD00C1132	←	←	
43	POWER SUPPLY CORD	1	CWA20C2652	←	←	

(NOTE)

- All parts are supplied from PHAAM, Malaysia (Vendor Code: 061).
- "O" marked parts are recommended to be kept in stock.

17.2. Outdoor Unit



Note

The above exploded view is for the purpose of parts disassembly and replacement.
The non-numbered parts are not kept as standard service parts.

REF. NO.	PART NAME & DESCRIPTION	QTY.	CU-NE7GKE	CU-NE9GKE	CU-NE12GKE	REMARKS
1	CHASSY ASSY	1	CWD50K2140	←	←	
2	ANTI - VIBRATION BUSHING	3	CWH50077	←	←	
3	COMPRESSOR, DC 220V	1	5CS110XBD04	←	←	O
4	NUT - COMPRESSOR MOUNT	3	CWH56000J	←	←	
5	CRANKCASE HEATER	1	CWA341026	←	←	
6	SOUND PROOF MATERIAL	1	CWVG300001	←	←	
7	FAN MOTOR BRACKET	1	CWD541089	←	←	
8	FAN MOTOR, DC 40W 3PH	1	ARW44W8P40AC	←	←	O
9	SCREW - BRACKET FAN MOTOR	2	CWH551174J	←	←	
10	SCREW - FAN MOTOR MOUNT	3	CWH55252J	←	←	
11	PROPELLER FAN ASSY	1	CWH03K1014	←	←	
12	NUT - PROPELLER FAN	1	CWH56053J	←	←	
13	CONDENSER CO.	1	CWB32C2180	CWB32C1741	←	
14	STRAINER	1	CWB11094	←	←	
15	TUBE ASSY CO. (EXP. VALVE)	1	CWT01C3643	←	←	
16	HOLDER - COUPLING	1	CWH351025	←	←	
17	3-WAY VALVE	1	CWB011434	←	CWB011523	O
18	4-WAY VALVE	1	CWB001037J	←	←	O
19	2-WAY VALVE	1	CWB021333	←	←	O
20	DISCHARGE MUFFLER	1	CWB121021	←	←	O
21	V-COIL CO. FOR 4-WAY VALVE	1	CWA43C2144J	←	←	
22	V-COIL COMPLETE FOR EXP. VALVE	1	CWA43C2058J	←	←	
24	SENSOR COMPLETE	1	CWA50C2402	←	←	
25	SENSOR COMPLETE	1	CWA50C2281	←	←	
26	CONTROL BOARD CASING	1	CWH102294	←	←	
27	TERMINAL BOARD ASSY	1	CWA28K1021J	←	←	
28	CLIP FOR SENSOR	2	CWH32143	←	←	
29	PEAKING COILS	1	GOC193J00003	←	GOC193J00004	
30	CONTROL BOARD CASING	1	CWH102293	←	←	
31	ELECTRONIC CONTROLLER - MAIN	1	CWA73C2821R	CWA73C2822R	CWA73C2823R	
32	OVER HEAT PROTECTOR COMPLETE	1	CWA14C1012	←	←	
33	CONTROL BOARD COVER	1	CWH131264	←	←	
34	SENSOR COMPLETE	1	CWA50C2066	←	←	
35	CLIP FOR SENSOR	1	CWH321023	←	←	
36	TERMINAL COVER	1	CWH171039A	←	←	
37	NUT FOR TERMINAL COVER	1	CWH7080300J	←	←	
38	SOUND PROOF BOARD	1	CWH151188	←	←	
39	CABINET SIDE PLATE	1	CWE041279A	←	←	
40	CABINET SIDE PLATE (LEFT)	1	CWE041278A	←	←	
41	HANDLE	1	CWE161010	←	←	
42	WIRE NET	1	CWD041111A	←	←	
43	CABINET FRONT PLATE CO.	1	CWE06C1136	←	←	
44	CABINET TOP PLATE	1	CWE031014A	←	←	
45	CONTROL BOARD COVER	1	CWH131213	←	←	
46	CONTROL BOARD COVER COMPLETE	1	CWH13C1145	←	←	
47	OPERATION INSTRUCTIONS	1	CWF565722	←	←	
48	INSTALLATION INSTRUCTIONS (ENG.)	1	CWF613278	←	←	
49	INSTALLATION INSTRUCTIONS (SWE., NOR., FAN., DAN.)	1	CWF613279	←	←	
50	RECEIVER	1	CWB14011	←	←	O

REF. NO.	PART NAME & DESCRIPTION	QTY.	CU-NE7GKE	CU-NE9GKE	CU-NE12GKE	REMARKS
51	STRAINER	1	CWB111004	←	←	
52	FLARE NUT (1/4")	1	CWT251030	←	←	
53	FLARE NUT (3/8") (1/2")	1	CWT251031	←	CWT251032	

(NOTE)

- All parts are supplied from PHAAM, Malaysia (Vendor Code: 061).
- "O" marked parts are recommended to be kept in stock.