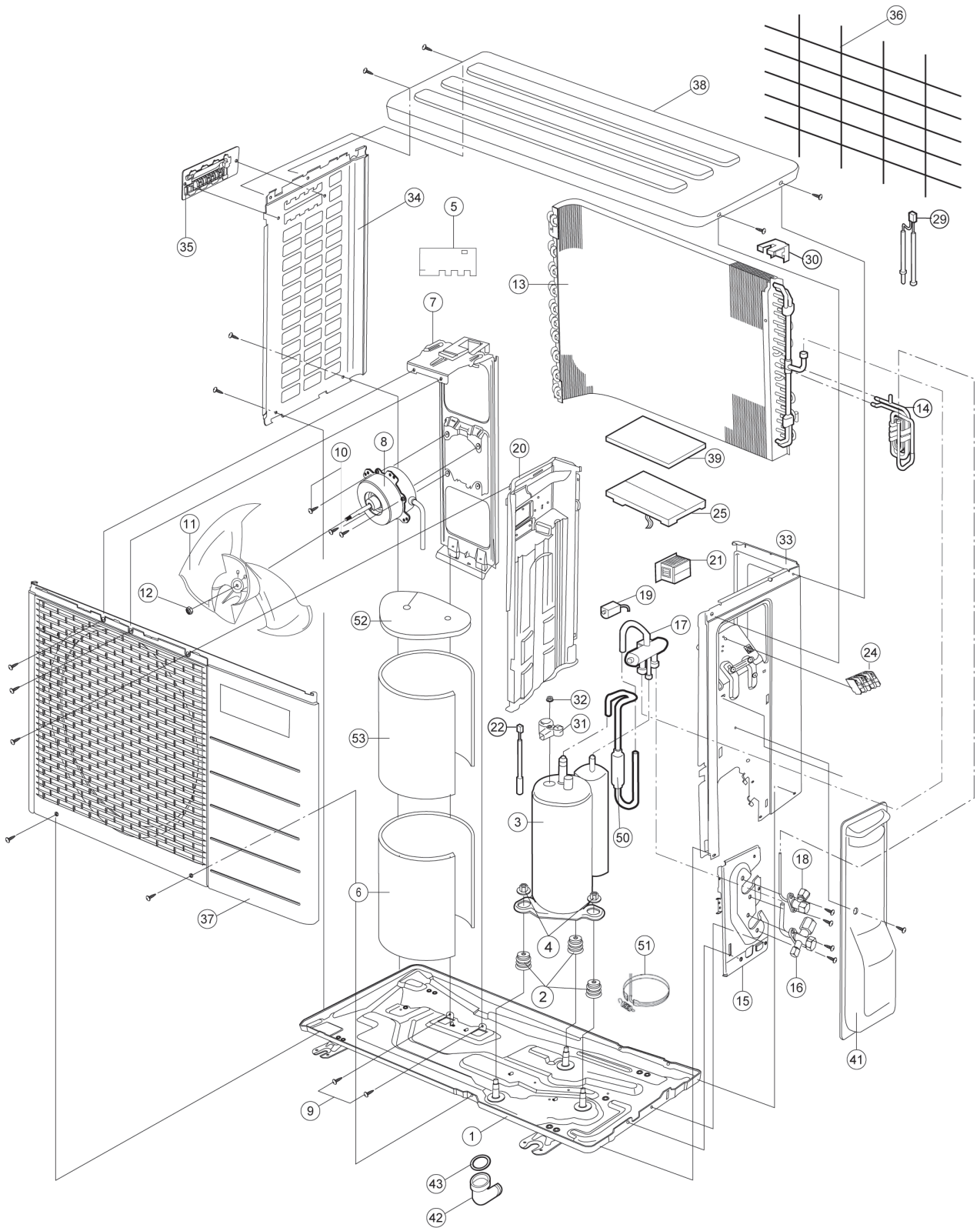


# 10 Exploded View and Replacement Parts List

## 10.1. CU-E9GFE-2 CU-E12GFE-2



**Note:**

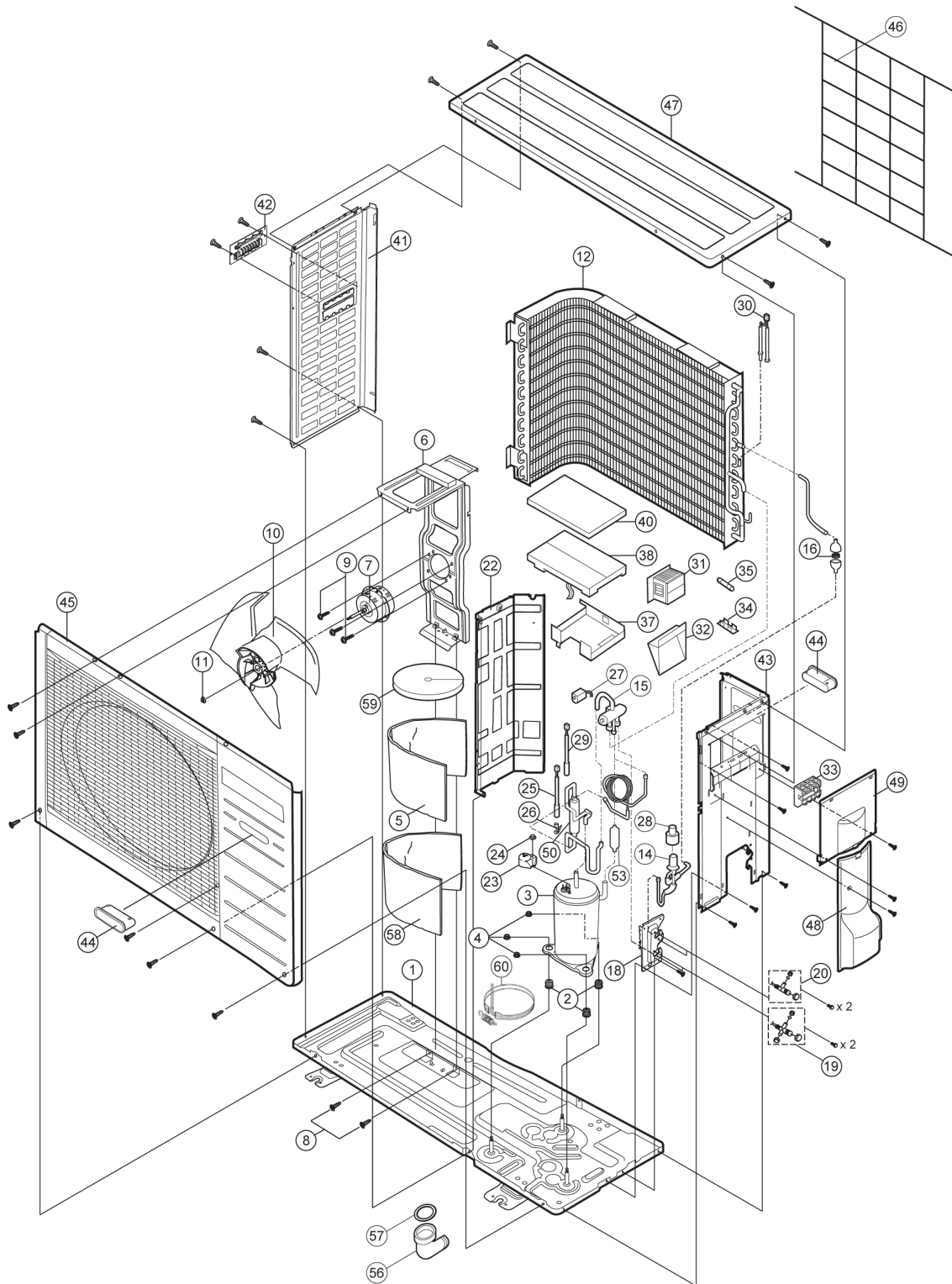
The above exploded view is for the purpose of parts disassembly and replacement.  
The non-numbered parts are not kept as standard service parts.

REF. NO.	PART NAME AND DESCRIPTION	QTY.	CU-E9GFE-2	CU-E12GFE-2	REMARK
1	CHASSY ASSY	1	CWD50K2073	←	
2	ANTI - VIBRATION BUSHING	3	CWH50077	←	
3	COMPRESSOR	1	5RS102XBC01	←	O
4	NUT - COMPRESSOR MOUNT	3	CWH56000J	←	
5	SOUND PROOF MATERIAL	1	CWG302315	←	
6	SOUND PROOF MATERIAL	1	CWG302316	←	
7	FAN MOTOR BRACKET	1	CWD541030	←	
8	FAN MOTOR (AC 30W SINGLE)	1	CWA951553	CWA951542	O
9	SCREW - FAN MOTOR BRACKET	2	CWH551217	←	
10	SCREW - FAN MOTOR MOUNT	3	CWH55252J	←	
11	PROPELLER FAN ASSY	1	CWH03K1010	←	
12	NUT - PROPELLER FAN	1	CWH56053J	←	
13	CONDENSER	1	CWB32C2446	←	
14	TUBE ASSY CO (CAP./CHK.VALVE)	1	CWT01C4201	CWT01C4202	
15	HOLDER-COUPLING	1	CWH351023	←	
16	3 WAYS VALVE (GAS)	1	CWB011374	←	O
17	4 WAYS VALVE	1	CWB001037J	←	O
18	2-WAYS VALVE (LIQUID)	1	CWB021301	←	O
19	V-COIL COMPLETE	1	CWA43C2143J	←	O
20	SOUND PROOF BOARD	1	CWH151172	←	
21	REACTOR	1	G0C193J00003	G0C193J00004	
22	SENSOR COMPLETE	1	CWA50C2205	←	
24	TERMINAL BOARD ASSY	1	CWA28K1110J	←	
25	ELECTRONIC CONTROLLER - MAIN	1	CWA73C3418R	CWA73C3419R	O
29	SENSOR COMPLETE	1	CWA50C2391	←	
30	HOLDER SENSOR	1	CWH321023	←	
31	TERMINAL COVER	1	CWH171039A	←	
32	NUT - TERMINAL COVER	1	CWH7080300J	←	
33	CABINET SIDE PLATE CO.	1	CWE04C1116	←	
34	CABINET SIDE PLATE (L)	1	CWE041248A	←	
35	HANDLE	1	CWE161010	←	
36	WIRE NET	1	CWD041111A	←	
37	CABINET FRONT PLATE CO.	1	CWE06C1136	←	
38	CABINET TOP PLATE	1	CWE031014A	←	
39	CONTROL BOARD COVER (TOP)	1	CWH131264	←	
41	CONTROL BOARD COVER CO.	1	CWH13C1064	←	
42	L-TUBE	1	CWH5850080	←	
43	PACKING - L.TUBE	1	CWB81012	←	
50	DISCHARGE MUFFLER	1	CWB121010	←	
51	CRANKCASE HEATER	1	CWA341044	←	
52	SOUND PROOF MATERIAL	1	CWG302314	←	
53	SOUND PROOF MATERIAL	1	CWG302317	←	

(Note)

- All parts are supplied from PHAAM, Malaysia (Vendor Code: 061).
- "O" maked parts are recommended to be kept in stock.

## 10.2. CU-E18GFE-2



Note:  
The above exploded view is for the purpose of parts disassembly and replacement.  
The non-numbered parts are not kept as standard service parts.

REF. NO.	PART NAME AND DESCRIPTION	QTY.	CU-E18GFE-2	REMARK
1	CHASSY ASSY	1	CWD50K2085	
2	ANTI - VIBRATION BUSHING	3	CWH50077	
3	COMPRESSOR	1	5CS130XAE04	O
4	NUT - COMPRESSOR MOUNT	3	CWH56000J	
5	SOUND PROOF MATERIAL	1	CWG302302	
6	FAN MOTOR BRACKET	1	CWD541054	
7	FAN MOTOR	1	CWA981166J	O
8	SCREW - FAN MOTOR BRACKET	2	CWH551198	
9	SCREW - FAN MOTOR MOUNT	3	CWH551106J	
10	PROPELLER FAN ASSY	1	CWH03K1016	
11	NUT - PROPELLER FAN	1	CWH56053J	
12	CONDENSER COMPLETE	1	CWB32C2451	
14	TUBE ASSY COMPLETE (EXP. VALVE)	1	CWT023679	
15	4 WAYS VALVE	1	CWB001026J	O
16	STRAINER	1	CWB11094	
18	HOLDER - COUPLING	1	CWH351056	
19	3 WAYS VALVE (GAS)	1	CWB011361	O
20	2-WAYS VALVE (LIQUID)	1	CWB021292	O
22	SOUND PROOF BOARD	1	CWH151050	
23	TERMINAL COVER	1	CWH171039A	
24	NUT - TERMINAL COVER	1	CWH7080300J	
25	SENSOR COMPLETE (COMP. TOP)	1	CWA50C2185	
26	HOLDER SENSOR	1	CWH321023	
27	V-COIL COMPLETE	1	CWA43C2168J	O
28	V-COIL COMPLETE (EXPAND VALVE)	1	CWA43C2058J	O
29	SENSOR COMPLETE (COMP. DISC.)	1	CWA50C2180	
30	SENSOR COMPLETE	1	CWA50C2181	
31	REACTOR	1	CWG0C203J00003	
32	CONTROL BOARD CASING (SIDE)	1	CWH102273	
33	TERMINAL BOARD ASSY	1	CWA28K1110J	
34	FUSE HOLDERS	1	K3GB1PH00016	
35	FUSE	1	K5D303BBA002	
37	CONTROL BOARD CASING (BOTTOM)	1	CWH102282	
38	ELECTRONIC CONTROLLER - MAIN	1	CWA73C3420R	O
40	CONTROL BOARD CASING (TOP)	1	CWH131167	
41	CABINET SIDE PLATE (LEFT)	1	CWE041255A	
42	HANDLE	1	CWE161010	
43	CABINET SIDE PLATE (RIGHT)	1	CWE041058A	
44	HANDLE	2	CWE16000E	
45	CABINET FRONT PLATE ASSY	1	CWE06K1043	
46	WIRE NET	1	CWD041041A	
47	CABINET TOP PLATE	1	CWE031031A	
48	CONTROL BOARD COVER (BOTTOM)	1	CWH131168	
49	CONTROL BOARD COVER (TOP)	1	CWH131169A	
50	RECEIVER	1	CWB14011	
53	ACCUMULATOR	1	CWB131024	
56	DRAIN HOSE	1	CWH5850080	
57	PACKING	1	CWB81012	
58	SOUND PROOF MATERIAL	1	CWG302270	
59	SOUND PROOF MATERIAL	1	CWG302300	
60	CRANKCASE HEATER	1	CWA341039	

(Note)

- All parts are supplied from PHAAM, Malaysia (Vendor Code: 061).
- "O" maked parts are recommended to be kept in stock.