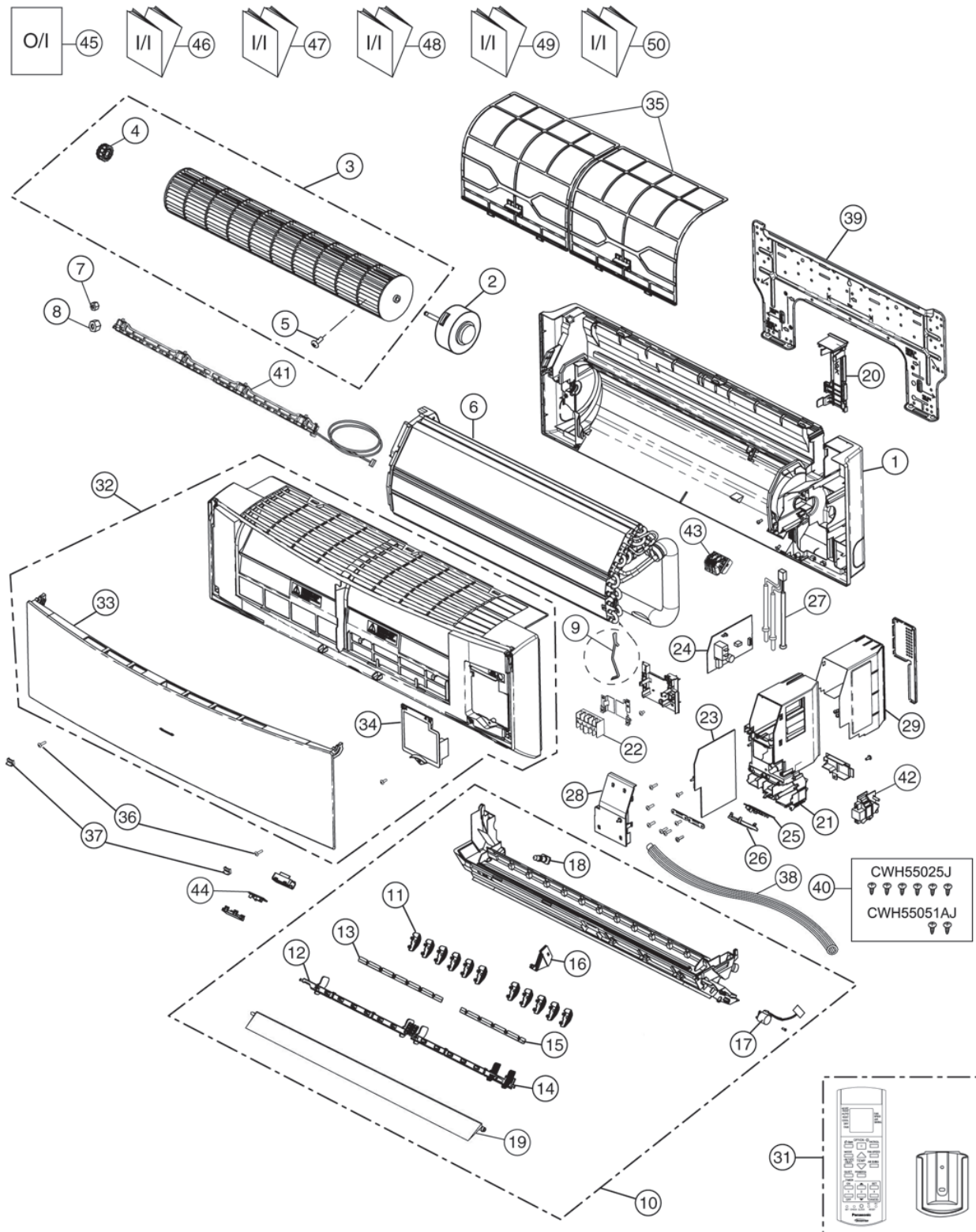


# 18 Exploded View and Replacement Parts List

## 18.1. Indoor Unit



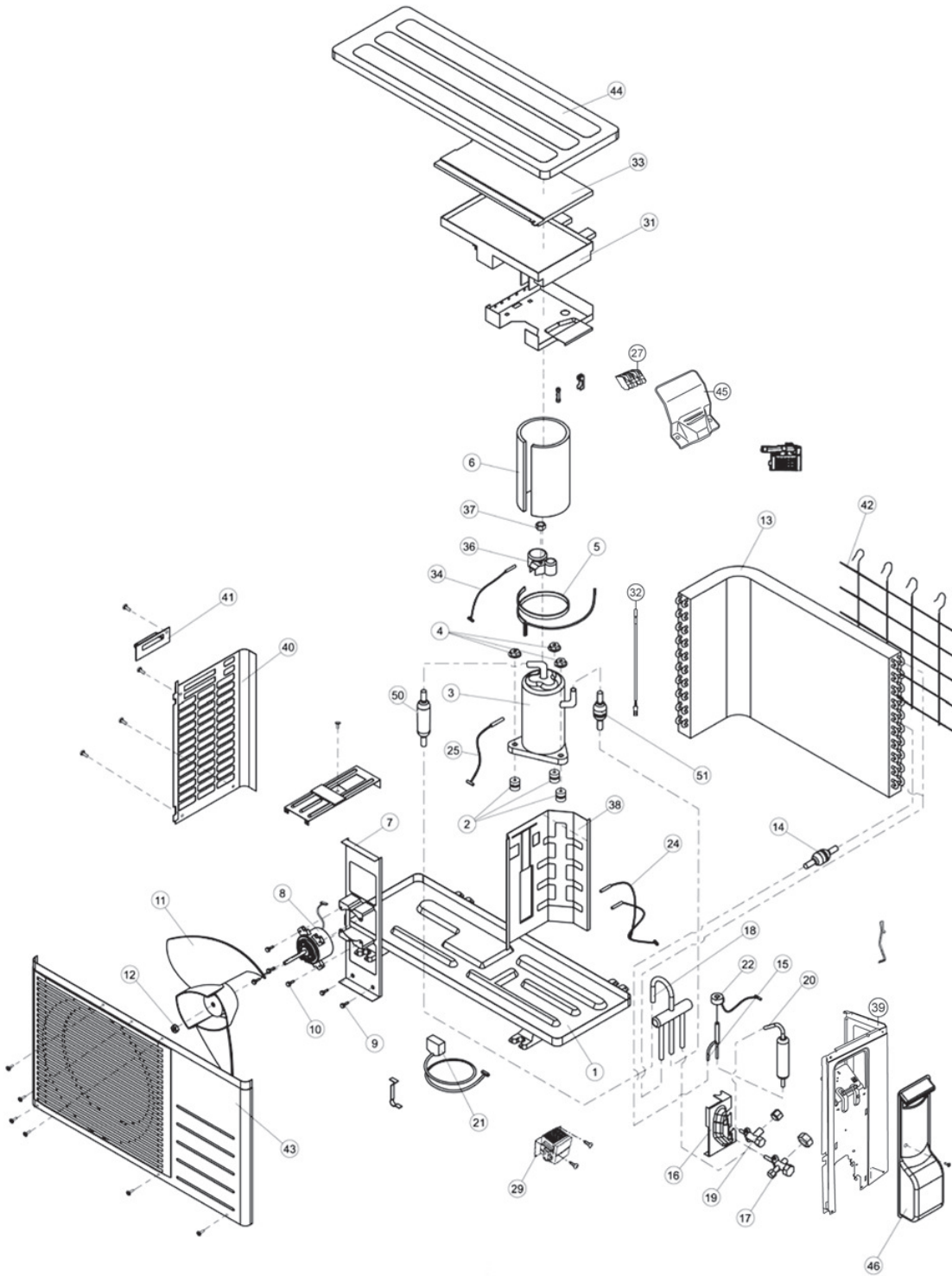
Note  
 The above exploded view is for the purpose of parts disassembly and replacement.  
 The non-numbered parts are not kept as standard service parts.

REF. NO.	PART NAME & DESCRIPTION	QTY.	CS-NE9JKE	CS-XE9JKE-5	CS-NE12JKE	CS-XE12JKE-5	REMARKS
1	CHASSY COMPLETE	1	CWD50C1599	CWD50C1605	CWD50C1599	CWD50C1605	
2	FAN MOTOR	1	ARW6101CB	←	←	←	O
3	CROSS FLOW FAN COMPLETE	1	CWH02C1076	←	←	←	
4	BEARING ASS'Y	1	CWH64K007	←	←	←	
5	SCREW - CROSS FLOW FAN	1	CWH551146	←	←	←	
6	EVAPORATOR CO.	1	CWB30C3074	←	CWB30C3075	←	
7	FLARE NUT (LIQUID)	1	CWT251030	←	←	←	
8	FLARE NUT (GAS)	1	CWT251031	←	CWT251032	←	
9	CLIP FOR SENSOR	1	CWH32143	←	←	←	
10	DISCHARGE GRILLE COMPLETE	1	CWE20C3009	CWE20C2920	CWE20C3009	CWE20C2920	
11	VERTICAL VANE	11	CWE241287	←	←	←	
12	CONNECTING BAR	1	CWE261152	←	←	←	
13	CONNECTING BAR	1	CWE261153	←	←	←	
14	CONNECTING BAR	1	CWE261154	←	←	←	
15	CONNECTING BAR	1	CWE261155	←	←	←	
16	FULCRUM	1	CWH621102	←	←	←	
17	AIR SWING MOTOR	1	CWA981240	←	←	←	O
18	CAP - DRAIN TRAY	1	CWH521096	←	←	←	
19	HORIZONTAL VANE COMPLETE	1	CWE24C1268	CWE24C1288	CWE24C1268	CWE24C1288	
20	BACK COVER CHASSIS	1	CWD933019	CWD933019A	CWD933019	CWD933019A	
21	CONTROL BOARD CASING	1	CWH102370	←	←	←	
22	TERMINAL BOARD COMPLETE	1	CWA28C2357	←	←	←	O
23	ELECTRONIC CONTROLLER - MAIN	1	CWA73C3886	CWA73C3890	CWA73C3887	CWA73C3891	O
24	ELECTRONIC CONTROLLER - POWER	1	CWA745322	←	←	←	O
25	ELECTRONIC CONTROLLER - INDICATOR	1	CWA745634	←	←	←	O
26	INDICATOR HOLDER	1	CWD933021	←	←	←	
27	SENSOR COMPLETE	1	CWA50C2404	←	←	←	O
28	CONTROL BOARD FRONT COVER	1	CWH13C1183	←	←	←	
29	CONTROL BOARD TOP COVER	1	CWH131350	←	←	←	
31	REMOTE CONTROL COMPLETE	1	CWA75C3418	←	←	←	O
32	FRONT GRILLE COMPLETE	1	CWE11C4306	CWE11C4386	CWE11C4306	CWE11C4386	O
33	INTAKE GRILLE COMPLETE	1	CWE22C1507	CWE22C1482	CWE22C1507	CWE22C1482	
34	GRILLE DOOR COMPLETE	1	CWE14C1029	CWE14C1038	CWE14C1029	CWE14C1038	
35	E-ION FILTER	2	CWD00K1014	←	←	←	
36	SCREW - FRONT GRILLE	2	XTT4+16CFJ	←	←	←	
37	CAP - FRONT GRILLE	2	CWH521194	CWH521194A	CWH521194	CWH521194A	
38	DRAIN HOSE	1	CWH851173	←	←	←	
39	INSTALLATION PLATE	1	CWH361097	←	←	←	
40	BAG COMPLETE - INSTALLATION SCREW	1	CWH82C067	←	←	←	
41	E-ION AIR PURIFYING SYSTEM	1	CWD93C1090	←	←	←	O
42	ELECTRONIC CONTROLLER - HVU	1	CWA745348	←	←	←	O
43	GENERATOR COMPLETE	1	CWH94C0028	←	←	←	O
44	ELECTRONIC CONTROLLER - RECEIVER	1	CWA745288	←	←	←	O
45	OPERATING INSTRUCTIONS	1	CWF566887	←	←	←	
46	INSTALLATION INSTRUCTIONS	1	CWF614032	←	←	←	
47	INSTALLATION INSTRUCTIONS	1	CWF614033	←	←	←	
48	INSTALLATION INSTRUCTIONS	1	CWF614034	←	←	←	
49	INSTALLATION INSTRUCTIONS	1	CWF614035	←	←	←	
50	INSTALLATION INSTRUCTIONS	1	CWF614036	←	←	←	

(NOTE)

- All parts are supplied from PHAAM, Malaysia (Vendor Code: 00029488).
- "O" marked parts are recommended to be kept in stock.

## 18.2. Outdoor Unit



### Note

The above exploded view is for the purpose of parts disassembly and replacement.  
The non-numbered parts are not kept as standard service parts.

REF. NO.	PART NAME & DESCRIPTION	QTY.	CU-NE9JKE	CU-NE12JKE	REMARKS
1	CHASSY ASS'Y	1	CWD50K2202	←	
2	ANTI-VIBRATION BUSHING	3	CWH50077	←	
3	COMPRESSOR	1	5CS110XBD04	←	O
4	NUT - COMPRESSOR MOUNT	3	CWH56000J	←	
5	CRANKCASE HEATER	1	CWA341050	←	
6	SOUND PROOF MATERIAL	1	CWG302466	←	
7	FAN MOTOR BRACKET	1	CWD541089	←	
8	FAN MOTOR	1	ARW44W8P40AC	←	O
9	SCREW - FAN MOTOR BRACKET	2	CWH551217	←	
10	SCREW - FAN MOTOR MOUNT	4	CWH55252J	←	
11	PROPELLER FAN ASS'Y	1	CWH03K1014	←	
12	NUT - PROPELLER FAN	1	CWH56053J	←	
13	CONDENSER CO.	1	CWB32C2874	←	
14	STRAINER	1	CWB11094	←	
15	EXPANSION VALVE	1	CWB051016J	←	
16	HOLDER - COUPLING	1	CWH351025	←	
17	3-WAY VALVE (GAS)	1	CWB011434	CWB011523	O
18	4-WAY VALVE	1	CWB001037J	←	O
19	2-WAY VALVE (LIQUID)	1	CWB021333	←	O
20	DISCHARGE MUFFLER	1	CWB121021	←	O
21	V-COIL CO. (4-WAY VALVE)	1	CWA43C2144J	←	
22	V-COIL COMPLETE FOR EXP. VALVE	1	CWA43C2058J	←	
24	SENSOR COMPLETE (AIR & PIPE TEMP.)	1	CWA50C2402	←	
25	SENSOR COMPLETE (DISCHARGE TEMP.)	1	CWA50C2512	←	
27	TERMINAL BOARD ASS'Y	1	CWA28K1110J	←	
29	REACTOR	1	GOC193J00003	←	
31	ELECTRONIC CONTROLLER - MAIN	1	CWA73C3894R	CWA73C3895R	
32	CRANKCASE HEATER	1	CWA341060	←	
33	CONTROL BOARD COVER - TOP	1	CWH131264	←	
34	SENSOR COMPLETE (COMP. TEMP.)	1	CWA50C2205	←	
36	TERMINAL COVER	1	CWH171039A	←	
37	NUT - TERMINAL COVER	1	CWH7080300J	←	
38	SOUND PROOF BOARD	1	CWH151188	←	
39	CABINET SIDE PLATE (RIGHT)	1	CWE04C1212	←	
40	CABINET SIDE PLATE (LEFT)	1	CWE041278A	←	
41	HANDLE	1	CWE161010	←	
42	WIRE NET	1	CWD041111A	←	
43	CABINET FRONT PLATE CO.	1	CWE06C1136	←	
44	CABINET TOP PLATE	1	CWE031014A	←	
45	PLATE - CONTROL BOARD COVER	1	CWH131301	←	
46	CONTROL BOARD COVER COMPLETE	1	CWH13C1064	←	
50	RECEIVER	1	CWB14011	←	
51	STRAINER	1	CWB111004	←	

(NOTE)

- All parts are supplied from PHAAM, Malaysia (Vendor Code: 00029488).
- "O" marked parts are recommended to be kept in stock.