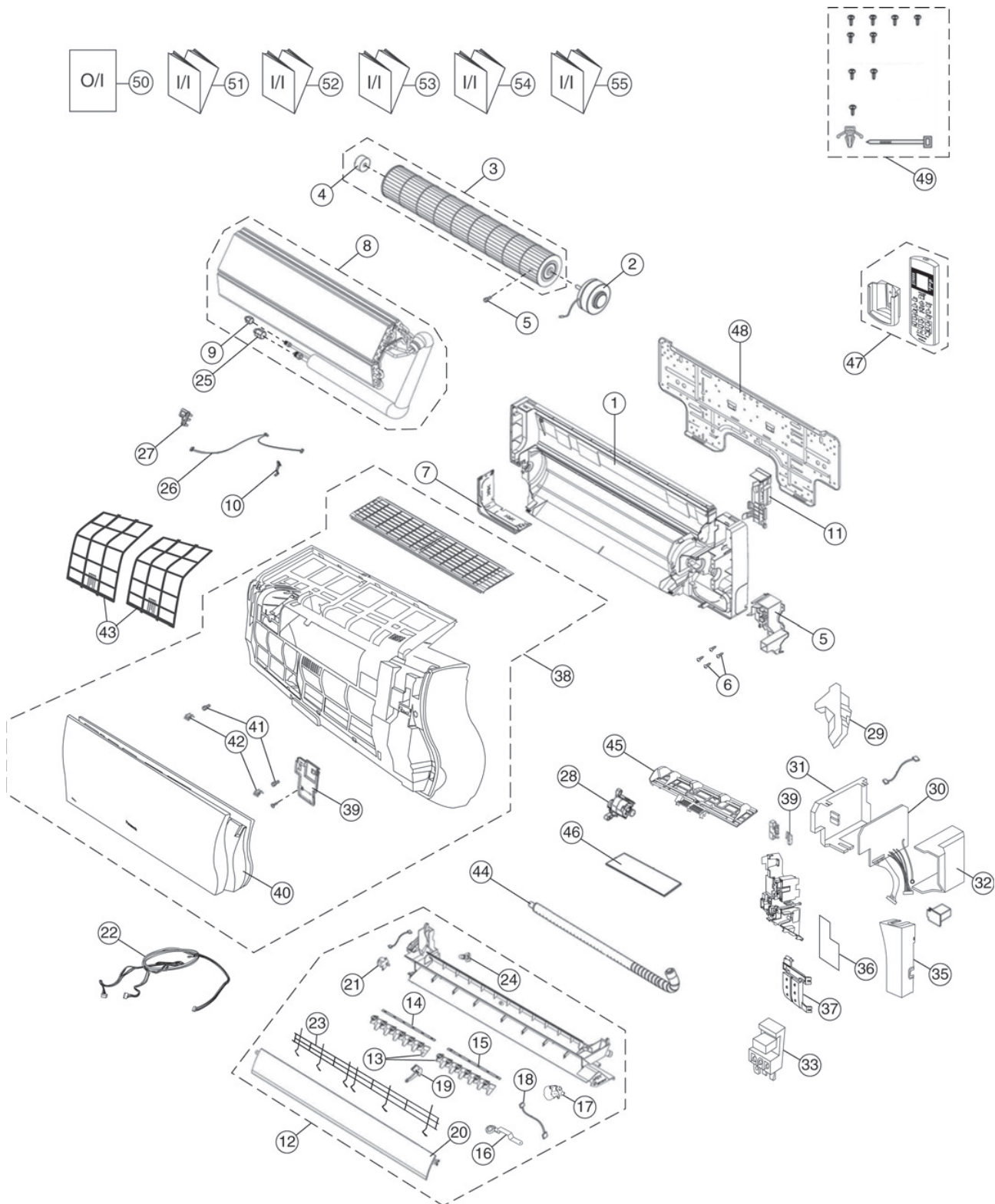


# 18 Exploded View and Replacement Parts List

## 18.1. Indoor Unit



### Note

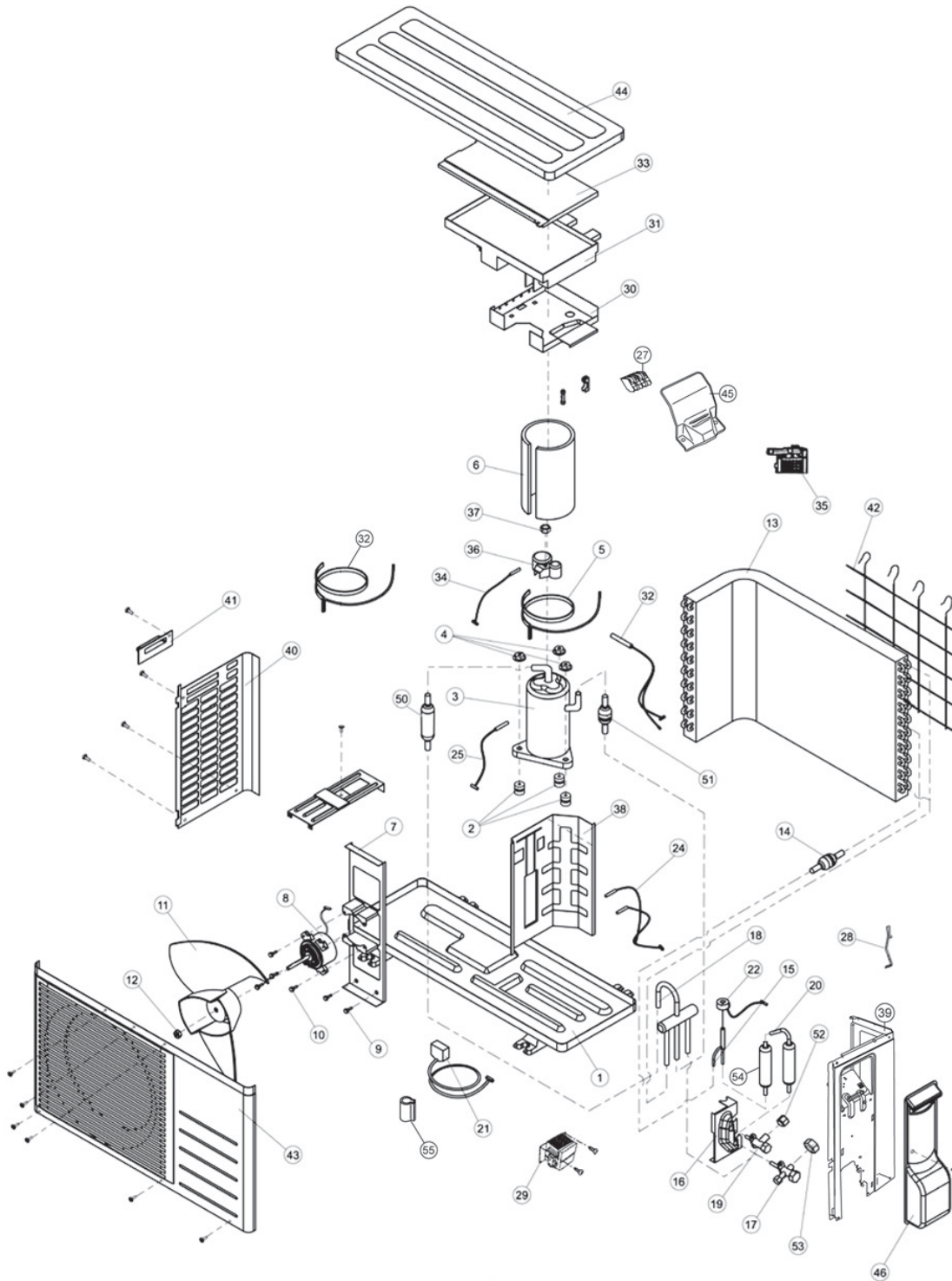
The above exploded view is for the purpose of parts disassembly and replacement.  
The non-numbered parts are not kept as standard service parts.

REF. NO.	PART NAME & DESCRIPTION	QTY.	CS-HE9JKE	CS-HE12JKE
1	CHASSY COMPLETE	1	CWD50C1551	←
2	FAN MOTOR, DC 30W 3PH	1	CWA981194CB	←
3	CROSS-FLOW FAN CO.	1	CWH02C1024	←
4	BEARING ASSY	1	CWH64K1005	←
5	HOLDER-FAN MOTOR	1	CWD911313	←
6	SCREW-HOLDER FAN MOTOR	4	XTT4+12CFJ	←
7	L SHAPED PLATE-FOR CHASSY	1	CWD601065B	←
8	EVAPORATOR CO.	1	CWB30C2285	CWB30C2286
9	FLARE NUT (1/4)	1	CWT25086	←
10	HOLDER SENSOR	1	CWH321085	←
11	BACK COVER CHASSIS	1	CWD911316B	←
12	DISCHARGE GRILLE COMPLETE	1	CWE20C2739	←
13	VERTICAL VANE	16	CWE241239	←
14	CONNECTING BAR	1	CWE261056A	←
15	CONNECTING BAR	1	CWE261057A	←
16	GEAR COMPLETE (VERTICAL VANE)	1	CWH68C1017	←
17	A.S. MOTOR, DC SINGLE 12V 300 OHM	1	CWA981107J	←
18	LEAD WIRE FOR AIR SWING MOTOR	1	CWA67C4688	←
19	FULCRUM	1	CWH621031A	←
20	HORIZONTAL VANE COMPLETE	1	CWE24C1212	←
21	A.S. MOTOR, DC SINGLE 12V 250 OHM	1	CWA981105J	←
22	LEADWIRE (A.S. MOTOR AND GEAR)	1	CWA67C5748	←
23	WIRE NET	1	CWD041083	←
24	CAP-DRAIN TRAY	1	CWH521091	←
25	FLARE NUT (3/8) (1/2)	1	CWT251031	CWT251032
26	SENSOR COMPLETE	1	CWA50C2467	←
27	HOLDER SENSOR	1	CWH32137	←
28	GEAR-COMPLETE (INTAKE GRILLE)	1	CWH68C1021	←
29	PIPE COVER	1	CWD911317	←
30	ELECTRONIC CONTROLLER-MAIN	1	CWA73C3885	←
31	CONTROL BOARD COVER ( L )	1	CWH131163	←
32	CONTROL BOARD COVER ( R )	1	CWH13K1010	←
33	TERMINAL BOARD CO (WITH RELAY)	1	CWA28C2433	←
35	CONTROL BOARD COVER (F)	1	CWH131165	←
36	ELECTRONIC CON (RCVR-INDICATOR)	1	CWA745633	←
37	INDICATOR HOLDER	1	CWD932309	←
38	FRONT GRILLE COMPLETE	1	CWE11C4288	←
39	GRILLE DOOR COMPLETE	1	CWE14C1069	←
40	INTAKE GRILLE COMPLETE	1	CWE22C1397	←
41	SCREW-FRONT GRILLE	3	XTT4+16CFJ	←
42	CAP-FRONT GRILLE	2	CWH521088	←
43	AIR FILTER	2	CWD001163	←
44	FLEXIBLE PIPE	1	CWH851110	←
45	FRAME FOR AIR FILTER	1	CWD661108	←
46	SUPER ALLERU BUSTER FILTER	1	CWD00C1263	←
47	REMOTE CONTROL COMPLETE	1	CWA75C3420	←
48	INSTALLATION HOLDER	1	CWH36C1019	←
49	BAG COMPLETE - INSTALLATION SCREW	1	CWH82C1496	←
50	OPERATING INSTRUCTION	1	CWF566886	←
51	INSTALLATION INSTRUCTION	1	CWF614042	←
52	INSTALLATION INSTRUCTION	1	CWF614043	←
53	INSTALLATION INSTRUCTION	1	CWF614044	←
54	INSTALLATION INSTRUCTION	1	CWF614045	←
55	INSTALLATION INSTRUCTION	1	CWF614046	←

(NOTE)

- All parts are supplied from PHAAM, Malaysia (Vendor Code: 00029488).

## 18.2. Outdoor Unit



### Note

The above exploded view is for the purpose of parts disassembly and replacement.  
The non-numbered parts are not kept as standard service parts.

REF. NO.	DESCRIPTION & NAME	QTY.	CU-HE9JKE	CU-HE12JKE	REMARKS
1	CHASSY ASSY	1	CWD50K2202	←	
2	ANTI-VIBRATION BUSHING	3	CWH50077	←	
3	COMPRESSOR	1	5CS110XBD04	←	O
4	NUT-COMPRESSOR MOUNT	3	CWH56000J	←	
5	CRANKCASE HEATER	1	CWA341050	←	
6	SOUND PROOF MATERIAL	1	CWG302464	←	
7	FAN MOTOR BRACKET	1	CWD541089	←	
8	FAN MOTOR, DC 40W 3PH	1	ARW44X8P40AC	←	O
9	SCREW - BRACKET FAN MOTOR	2	CWH551217	←	
10	SCREW - FAN MOTOR MOUNT	3	CWH55252J	←	
11	PROPELLER FAN ASSY	1	CWH03K1014	←	
12	NUT - PROPELLER FAN	1	CWH56053J	←	
13	CONDENSER CO.	1	CWB32C2875	←	
14	STRAINER	1	CWB11094	←	
15	EXPANSION VALVE	1	CWR051016J	←	
16	HOLDER - COUPLING	1	CWH351025	←	
17	3-WAY VALVE	1	CWB011434	CWB011523	O
18	4-WAY VALVE	1	CWB001037J	←	O
19	2-WAY VALVE	1	CWB021400	←	O
20	ACCUMULATOR	1	CWB131044	←	O
21	V-COIL CO. 4-WAY VALVE	1	CWA43C2144J	←	
22	V-COIL COMPLETE FOR EXP. VALVE)	1	CWA43C2058J	←	
24	SENSOR COMPLETE	1	CWA50C2402	←	
25	SENSOR COMPLETE	1	CWA50C2512	←	
27	TERMINAL BOARD ASSY	1	CWA28K1110J	←	
28	HOLDER SENSOR	2	CWH32143	←	
29	REACTOR	1	G0C193J00004	←	
30	CONTROL BOARD CASING	1	CWH102371	←	
31	ELECTRONIC CONTROLLER - MAIN	1	CWA73C3892R	CWA73C3893R	
32	CRANKCASE HEATER	1	CWA341060	←	
33	CONTROL BOARD COVER	1	CWH131264	←	
34	SENSOR COMPLETE	1	CWA50C2205	←	
35	HOLDER SENSOR	1	CWH321023	←	
36	TERMINAL COVER	1	CWH171039A	←	
37	NUT - TERMINAL COVER	1	CWH7080300J	←	
38	SOUND PROOF BOARD	1	CWH151176	←	
39	CABINET SIDE PLATE	1	CWE04C1213	←	
40	CABINET SIDE PLATE (LEFT)	1	CWE041278A	←	
41	HANDLE	1	CWE161010	←	
42	WIRE NET	1	CWD041111A	←	
43	CABINET FRONT PLATE CO.	1	CWE06C1136	←	
44	CABINET TOP PLATE	1	CWE031014A	←	
45	CONTROL BOARD COVER	1	CWH131301	←	
46	CONTROL BOARD COVER COMPLETE	1	CWH13C1064	←	
50	RECEIVER	1	CWB14011	←	
51	STRAINER	1	CWB111004	←	
52	FLARE NUT (1/4")	1	CWT251030	←	
53	FLARE NUT (3/8") (1/2")	1	CWT251031	CWT251032	
54	DRYER	1	CWB101016J	←	
55	HOLDER SENSOR	1	CWH32075	←	

(NOTE)

- All parts are supplied from PHAAM, Malaysia (Vendor Code: 00029488).
- "O" marked parts are recommended to be kept in stock.