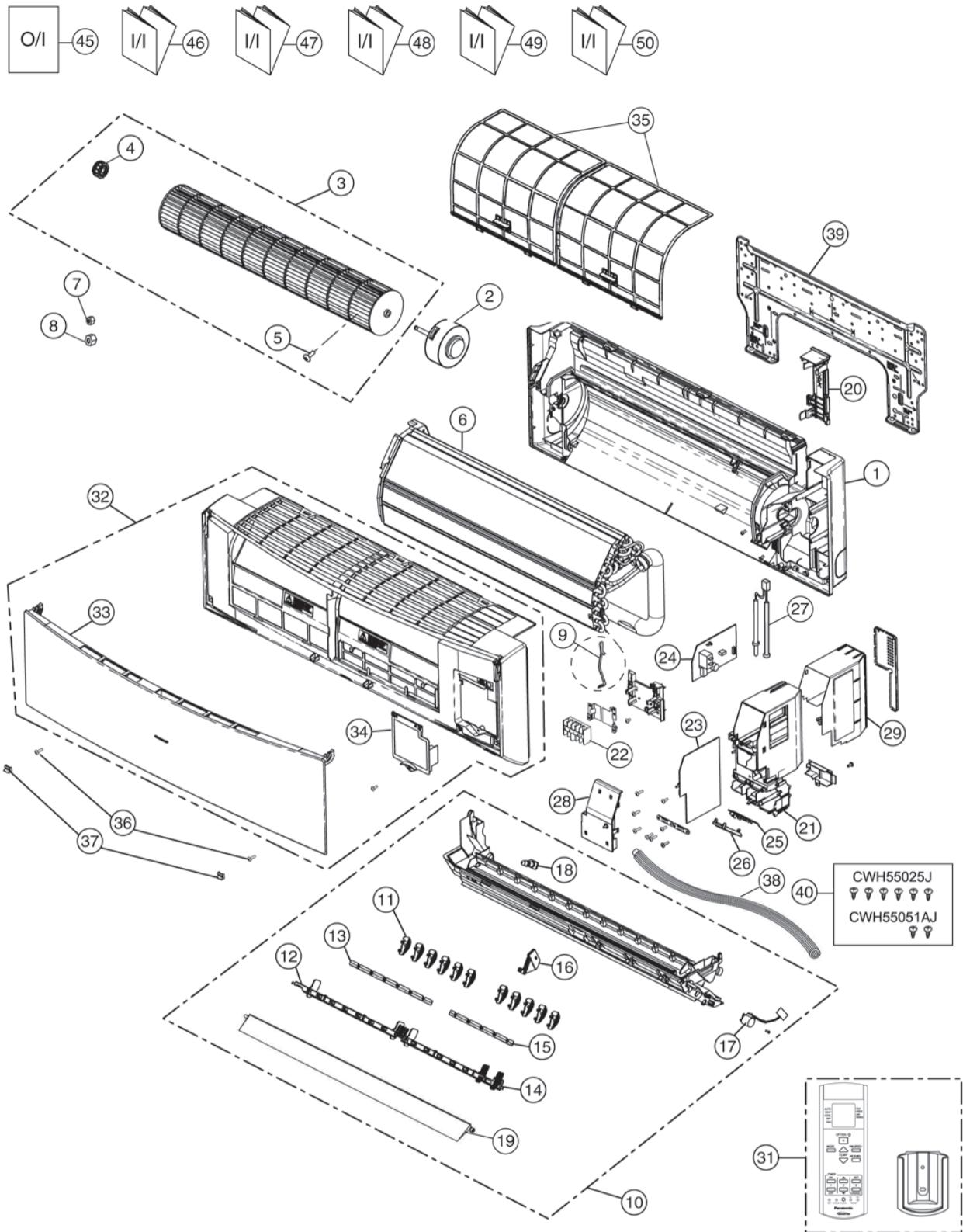


18 Exploded View and Replacement Parts List

18.1. Indoor Unit



Note

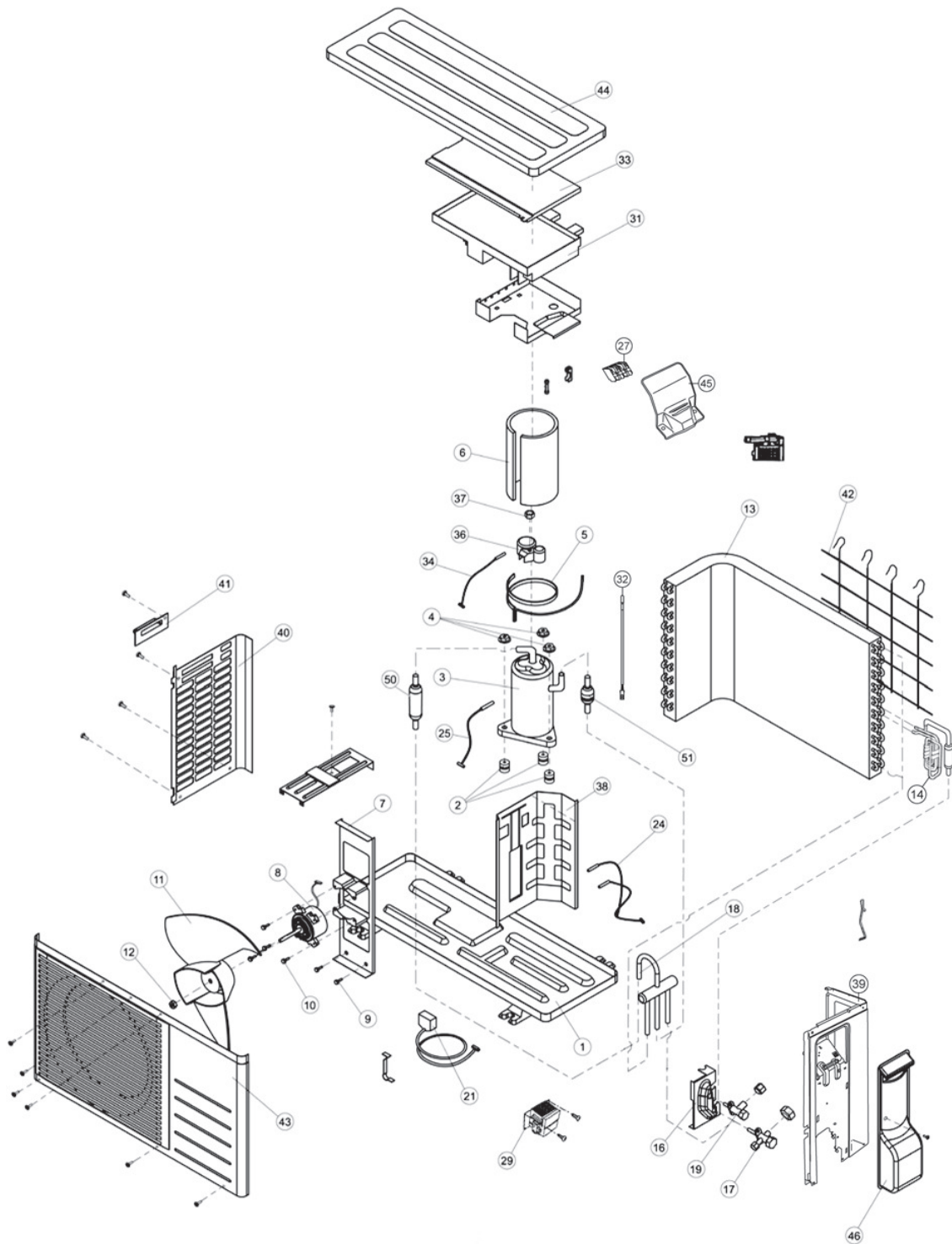
The above exploded view is for the purpose of parts disassembly and replacement. The non-numbered parts are not kept as standard service parts.

REF. NO.	PART NAME & DESCRIPTION	QTY.	CS-CE9JKE	CS-CE12JKE	REMARKS
1	CHASSY COMPLETE	1	CWD50C1599	←	
2	FAN MOTOR	1	ARW6101CB	←	O
3	CROSS FLOW FAN COMPLETE	1	CWH02C1076	←	
4	BEARING ASS'Y	1	CWH64K007	←	
5	SCREW - CROSS FLOW FAN	1	CWH551146	←	
6	EVAPORATOR CO.	1	CWB30C3074	CWB30C3075	
7	FLARE NUT (LIQUID)	1	CWT251030	←	
8	FLARE NUT (GAS)	1	CWT251031	CWT251032	
9	CLIP FOR SENSOR	1	CWH32143	←	
10	DISCHARGE GRILLE COMPLETE	1	CWE20C3009	←	
11	VERTICAL VANE	11	CWE241287	←	
12	CONNECTING BAR	1	CWE261152	←	
13	CONNECTING BAR	1	CWE261153	←	
14	CONNECTING BAR	1	CWE261154	←	
15	CONNECTING BAR	1	CWE261155	←	
16	FULCRUM	1	CWH621102	←	
17	AIR SWING MOTOR	1	CWA981240	←	O
18	CAP - DRAIN TRAY	1	CWH521096	←	
19	HORIZONTAL VANE COMPLETE	1	CWE24C1268	←	
20	BACK COVER CHASSIS	1	CWD933019	←	
21	CONTROL BOARD CASING	1	CWH102370	←	
22	TERMINAL BOARD COMPLETE	1	CWA28C2357	←	O
23	ELECTRONIC CONTROLLER - MAIN	1	CWA73C3888	CWA73C3889	O
24	ELECTRONIC CONTROLLER - POWER	1	CWA745322	←	O
25	ELECTRONIC CONTROLLER - INDICATOR & RECEIVER	1	CWA745300	←	O
26	INDICATOR HOLDER	1	CWD933021	←	
27	SENSOR COMPLETE	1	CWA50C2401	←	O
28	CONTROL BOARD FRONT COVER	1	CWH13C1183	←	
29	CONTROL BOARD TOP COVER	1	CWH131350	←	
31	REMOTE CONTROL COMPLETE	1	CWA75C3425	←	O
32	FRONT GRILLE COMPLETE	1	CWE11C4307	←	O
33	INTAKE GRILLE COMPLETE	1	CWE22C1508	←	
34	GRILLE DOOR COMPLETE	1	CWE14C1029	←	
35	AIR FILTER	2	CWD001279	←	
36	SCREW - FRONT GRILLE	2	XTT4+16CFJ	←	
37	CAP - FRONT GRILLE	2	CWH521194	←	
38	DRAIN HOSE	1	CWH851173	←	
39	INSTALLATION PLATE	1	CWH361097	←	
40	BAG COMPLETE - INSTALLATION SCREW	1	CWH82C067	←	
45	OPERATING INSTRUCTIONS	1	CWF566888	←	
46	INSTALLATION INSTRUCTIONS	1	CWF614037	←	
47	INSTALLATION INSTRUCTIONS	1	CWF614038	←	
48	INSTALLATION INSTRUCTIONS	1	CWF614039	←	
49	INSTALLATION INSTRUCTIONS	1	CWF614040	←	
50	INSTALLATION INSTRUCTIONS	1	CWF614041	←	

(NOTE)

- All parts are supplied from PHAAM, Malaysia (Vendor Code: 00029488).
- "O" marked parts are recommended to be kept in stock.

18.2. Outdoor Unit



Note

The above exploded view is for the purpose of parts disassembly and replacement.
The non-numbered parts are not kept as standard service parts.

REF. NO.	PART NAME & DESCRIPTION	QTY.	CU-CE9JKE	CU-CE12JKE	REMARKS
1	CHASSY ASS'Y	1	CWD50K2202	←	
2	ANTI-VIBRATION BUSHING	3	CWH50077	←	
3	COMPRESSOR	1	5CS110XBD04	←	O
4	NUT - COMPRESSOR MOUNT	3	CWH56000J	←	
5	CRANKCASE HEATER	1	CWA341050	←	
6	SOUND PROOF MATERIAL	1	CWG302466	←	
7	FAN MOTOR BRACKET	1	CWD541089	←	
8	FAN MOTOR	1	ARW44W8P40AC	←	O
9	SCREW - FAN MOTOR BRACKET	2	CWH551217	←	
10	SCREW - FAN MOTOR MOUNT	4	CWH55252J	←	
11	PROPELLER FAN ASS'Y	1	CWH03K1014	←	
12	NUT - PROPELLER FAN	1	CWH56053J	←	
13	CONDENSER CO.	1	CWB32C2874	←	
14	TUBE ASSY CO. (CAP./CHK VALVE/RECEIVER)	1	CWT01C5125	CWT01C5126	
16	HOLDER - COUPLING	1	CWH351023	←	
17	3-WAY VALVE (GAS)	1	CWB011434	CWB011523	O
18	4-WAY VALVE	1	CWB001037J	←	O
19	2-WAY VALVE (LIQUID)	1	CWB021400	←	O
21	V-COIL CO. (4-WAY VALVE)	1	CWA43C2144J	←	
24	SENSOR COMPLETE (AIR & PIPE TEMP.)	1	CWA50C2402	←	
25	SENSOR COMPLETE (DISCHARGE TEMP.)	1	CWA50C2512	←	
27	TERMINAL BOARD ASS'Y	1	CWA28K1110J	←	
29	REACTOR	1	G0C193J00003	←	
31	ELECTRONIC CONTROLLER - MAIN	1	CWA73C3898R	CWA73C3899R	
32	CRANKCASE HEATER	1	CWA341060	←	
33	CONTROL BOARD COVER - TOP	1	CWH131264	←	
34	SENSOR COMPLETE (COMP. TEMP.)	1	CWA50C2205	←	
36	TERMINAL COVER	1	CWH171039A	←	
37	NUT - TERMINAL COVER	1	CWH7080300J	←	
38	SOUND PROOF BOARD	1	CWH151188	←	
39	CABINET SIDE PLATE (RIGHT)	1	CWE04C1212	←	
40	CABINET SIDE PLATE (LEFT)	1	CWE041278A	←	
41	HANDLE	1	CWE161010	←	
42	WIRE NET	1	CWD041111A	←	
43	CABINET FRONT PLATE CO.	1	CWE06C1136	←	
44	CABINET TOP PLATE	1	CWE031014A	←	
45	PLATE - CONTROL BOARD COVER	1	CWH131301	←	
46	CONTROL BOARD COVER COMPLETE	1	CWH13C1064	←	
50	RECEIVER	1	CWB14011	←	
51	STRAINER	1	CWB111004	←	

(NOTE)

- All parts are supplied from PHAAM, Malaysia (Vendor Code: 00029488).
- "O" marked parts are recommended to be kept in stock.