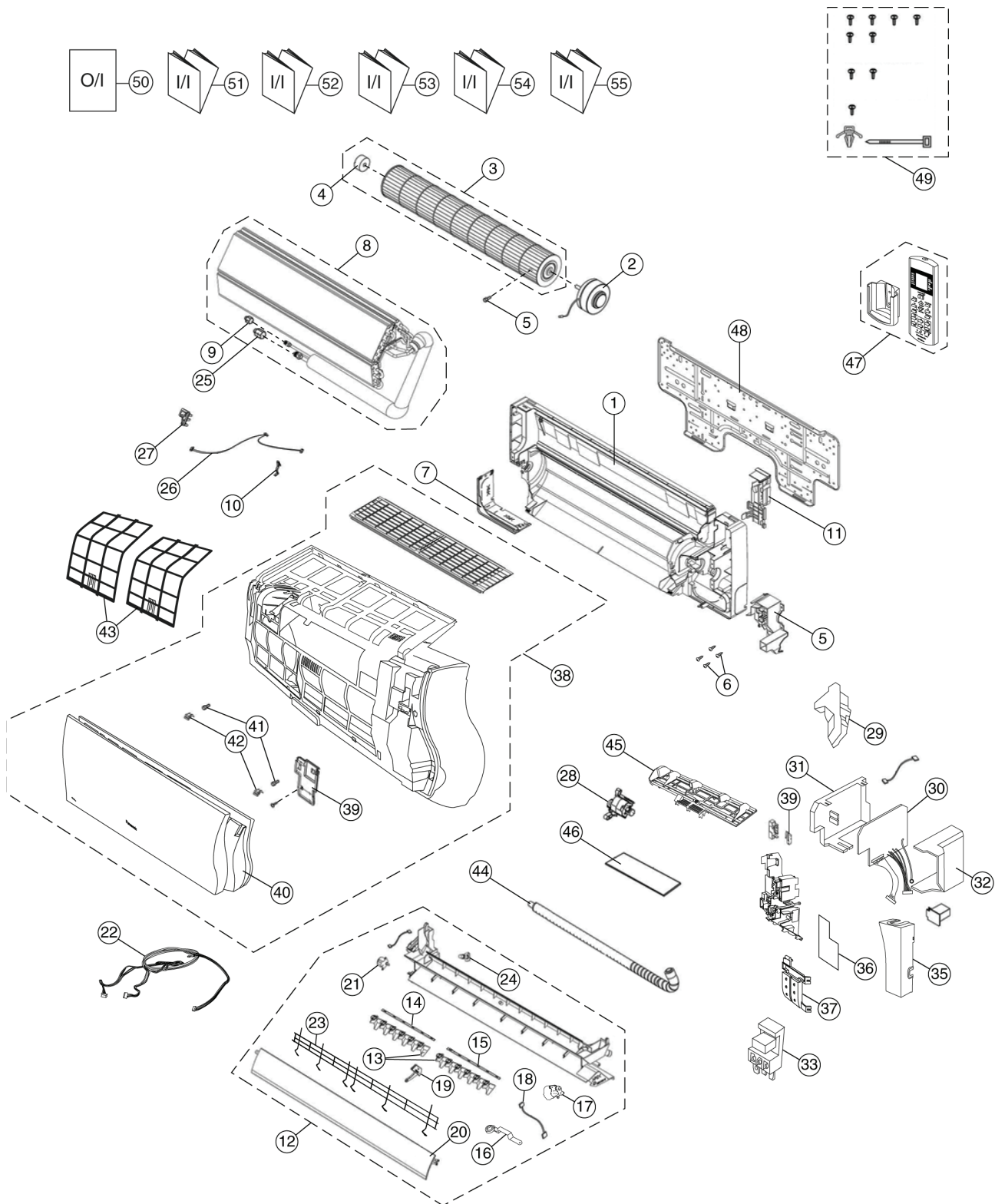


# 18 Exploded View and Replacement Parts List

## 18.1. Indoor Unit



### Note

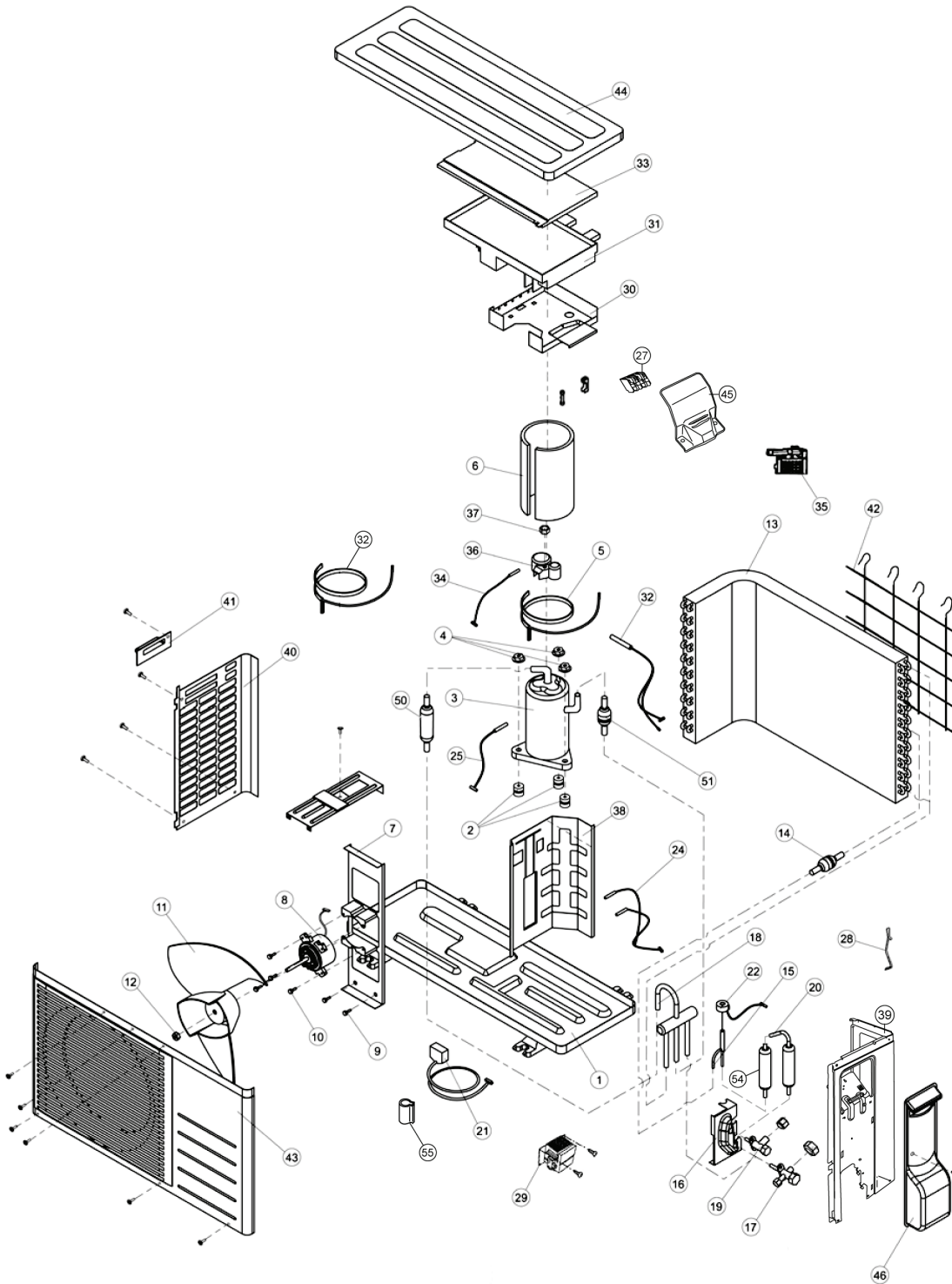
The above exploded view is for the purpose of parts disassembly and replacement.  
The non-numbered parts are not kept as standard service parts.

REF. NO.	DESCRIPTION & NAME	QTY.	CS-HE9LKE	CS-HE12LKE	REMARKS
1	CHASSY COMPLETE	1	CWD50C1551	←	
2	FAN MOTOR,DC 30W 3PH	1	CWA981194CB	←	O
3	CROSS-FLOW FAN CO.	1	CWH02C1090	←	
4	BEARING ASSY	1	CWH64K007	←	O
5	HOLDER-FAN MOTOR	1	CWD911313	←	
6	SCREW-HOLDER FAN MOTOR	4	XTT4+12CFJ	←	
7	L SHAPED PLATE-FOR CHASSY	1	CWD601065B	←	
8	EVAPORATOR CO.	1	CWB30C2285	←	
9	FLARE NUT(1/4)	1	CWT25086	←	
10	HOLDER SENSOR	1	CWH321085	←	
11	BACK COVER CHASSIS	1	CWD911316B	←	
12	DISCHARGE GRILLE COMPLETE	1	CWE20C2739	←	
13	VERTICAL VANE	16	CWE241239	←	
14	CONNECTING BAR	1	CWE261056A	←	
15	CONNECTING BAR	1	CWE261057A	←	
16	GEAR COMPLETE(VERTICAL VANE)	1	CWH68C1017	←	
17	AS MOTOR,DC SINGLE 12V 300 OHM	1	CWA981107J	←	O
18	LEAD WIRE FOR AIR SWING MOTOR	1	CWA67C4688	←	
19	FULCRUM	1	CWH621031A	←	
20	HORIZONTAL VANE COMPLETE	1	CWE24C1212	←	
21	A.S.MOTOR,DC SINGLE 12V250 OHM	1	CWA981105J	←	O
22	LEADWIRE (A.S MOTOR AND GEAR)	1	CWA67C5748	←	
23	WIRE NET	1	CWD041083	←	
24	CAP-DRAIN TRAY	1	CWH521091	←	
25	FLARE NUT (3/8)(1/2)	1	CWT251031	←	
26	SENSOR COMPLETE	1	CWA50C2467	←	O
27	HOLDER SENSOR	1	CWH32137	←	
28	GEAR-COMPLETE(INTAKE GRILLE)	1	CWH68C1021	←	
29	PIPE COVER	1	CWD911317	←	
30	ELECTRONIC CONTROLLER-MAIN	1	CWA73C4769	←	O
31	CONTROL BOARD COVER ( L )	1	CWH131163	←	
32	CONTROL BOARD COVER ( R )	1	CWH13K1010	←	
33	TERMINAL BOARD CO	1	CWA28C2433	←	O
35	CONTROL BOARD COVER(F)	1	CWH131165	←	
36	ELECTRONIC CON(RCVR-INDICATOR)	1	CWA745633	←	O
37	INDICATOR HOLDER	1	CWD932309	←	
38	FRONT GRILLE COMPLETE	1	CWE11C4288	←	O
39	GRILLE DOOR	1	CWE14C1069	←	
40	INTAKE GRILLE COMPLETE	1	CWE22C1397	←	
41	SCREW-FRONT GRILLE	3	XTT4+16CFJ	←	
42	CAP-FRONT GRILLE	2	CWH521088	←	
43	AIR FILTER	2	CWD001163	←	O
44	FLEXIBLE PIPE	1	CWH851110	←	
45	FRAME FOR AIR FILTER	1	CWD661108	←	
46	SUPER ALLERU BUSTER FILTER	1	CWD00C1263	←	O
47	REMOTE CONTROL COMPLETE	1	CWA75C3636	←	O
48	INSTALLATION HOLDER	1	CWH36C1019	←	
49	BAG COMPLETE - INSTALLATION SCREW	1	CWH82C1496	←	
50	OPERATING INSTRUCTION	1	CWF567549	←	
51	INSTALLATION INSTRUCTION	1	CWF614492	←	
52	INSTALLATION INSTRUCTION	1	CWF614493	←	
53	INSTALLATION INSTRUCTION	1	CWF614494	←	
54	INSTALLATION INSTRUCTION	1	CWF614495	←	
55	INSTALLATION INSTRUCTION	1	CWF614496	←	

(NOTE)

- All parts are supplied from PHAAM, Malaysia (Vendor Code: 00029488).

## 18.2. Outdoor Unit



### Note

The above exploded view is for the purpose of parts disassembly and replacement.  
The non-numbered parts are not kept as standard service parts.

REF. NO.	DESCRIPTION & NAME	QTY.	CU-HE9LKE	CU-HE12LKE	REMARKS
1	CHASSY ASS'Y	1	CWD50K2202	←	
2	ANTI-VIBRATION BUSHING	3	CWH50077	←	
3	COMPRESSOR	1	5CS110XBD04	←	O
4	NUT-COMPRESSOR MOUNT	3	CWH56000J	←	
5	CRANKCASE HEATER	1	CWA341050	←	
6	SOUND PROOF MATERIAL	1	CWG302464	←	
7	BRACKET FAN MOTOR	1	CWD541089	←	
8	FAN MOTOR,DC 40W 3PH	1	ARW44X8P40AC	←	O
9	SCREW - FAN MOTOR BRACKET	2	CWH551217	←	
10	SCREW-FAN MOTOR MOUNT	4	CWH55252J	←	
11	PROPELLER FAN ASSY	1	CWH03K1014	←	
12	NUT-PROPELLER FAN	1	CWH56053J	←	
13	CONDENSER COMPLETE	1	CWB32C2875	←	
14	STRAINER	1	CWB111004	←	
15	EXPANSION VALVE	1	CWB051016J	←	
16	HOLDER-COUPLING	1	CWH351025	←	
17	3-WAYS VALVE	1	CWB011434	←	O
18	4-WAYS VALVE	1	CWB001037J	←	O
19	2-WAYS VALVE	1	CWB021400	←	O
20	ACCUMULATOR	1	CWB131044	←	
21	V-COIL CO.FOR 4-WAY VALVE	1	CWA43C2144J	←	O
22	V-COIL COMPLETE FOR EXP.VALVE	1	CWA43C2058J	←	O
24	SENSOR-COMPLETE	1	CWA50C2402	←	O
25	SENSOR-COMPLETE	1	CWA50C2512	←	O
27	TERMINAL BOARD ASS'Y	1	CWA28K1110J	←	O
28	HOLDER-SENSOR	2	CWH32143	←	
29	REACTOR	1	GOC193J00004	←	O
30	CONTROL BOARD CASING	1	CWH102371	←	
31	ELECTRONIC CONTROLLER-MAIN	1	CWA73C4798R	CWA73C4799R	O
32	CRANKCASE HEATER	1	CWA341060	←	
33	CONTROL BOARD COVER	1	CWH131264	←	
34	SENSOR-COMPLETE	1	CWA50C2205	←	O
35	HOLDER-SENSOR	1	CWH321023	←	
36	TERMINAL COVER	1	CWH171039A	←	
37	NUT-TERMINAL COVER	1	CWH7080300J	←	
38	SOUND-PROOF BOARD	1	CWH151176	←	
39	CABINET SIDE PLATE(R)	1	CWE04C1213	←	
40	CABINET SIDE PLATE(L)	1	CWE041278A	←	
41	HANDLE	1	CWE161010	←	
42	WIRE NET	1	CWD041111A	←	
43	CABINET FRONT PLATE-COMPLETE	1	CWE06C1136	←	
44	CABINET TOP PLATE	1	CWE031014A	←	
45	CONTROL BOARD COVER	1	CWH131301	←	
46	CONTROL BOARD COVER-COMPLETE	1	CWH13C1064	←	
50	RECEIVER	1	CWB14011	←	
51	STRAINER	1	CWB11094	←	
54	DRYER	1	CWB101016J	←	
55	HOLDER-SENSOR	1	CWH32075	←	

(NOTE)

- All parts are supplied from PHAAM, Malaysia (Vendor Code: 00029488).
- "O" marked parts are recommended to be kept in stock.