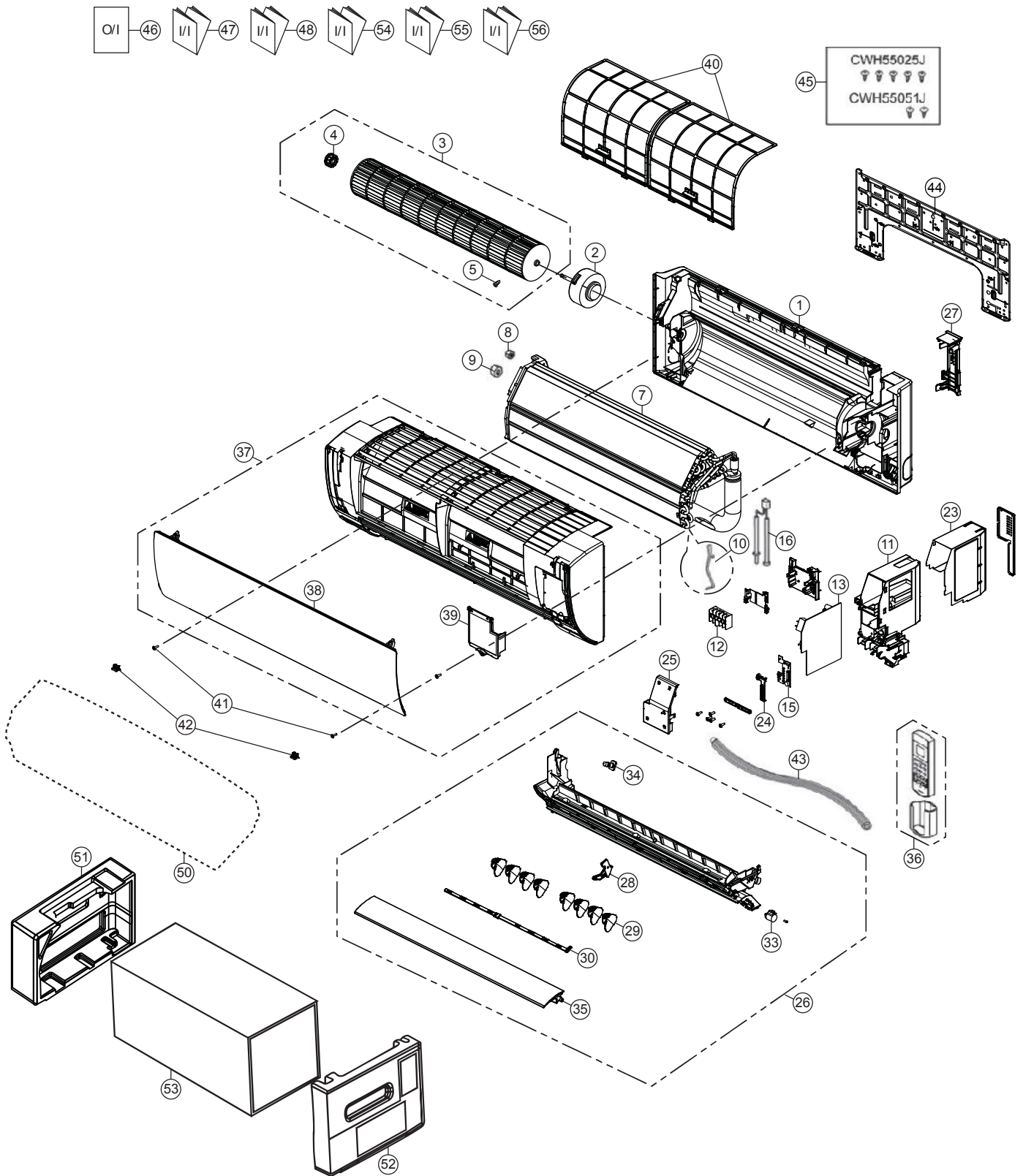


# 19. Exploded View and Replacement Parts List

## 19.1 Indoor Unit



**Note**  
 The above exploded view is for the purpose of parts disassembly and replacement.  
 The non-numbered parts are not kept as standard service parts.

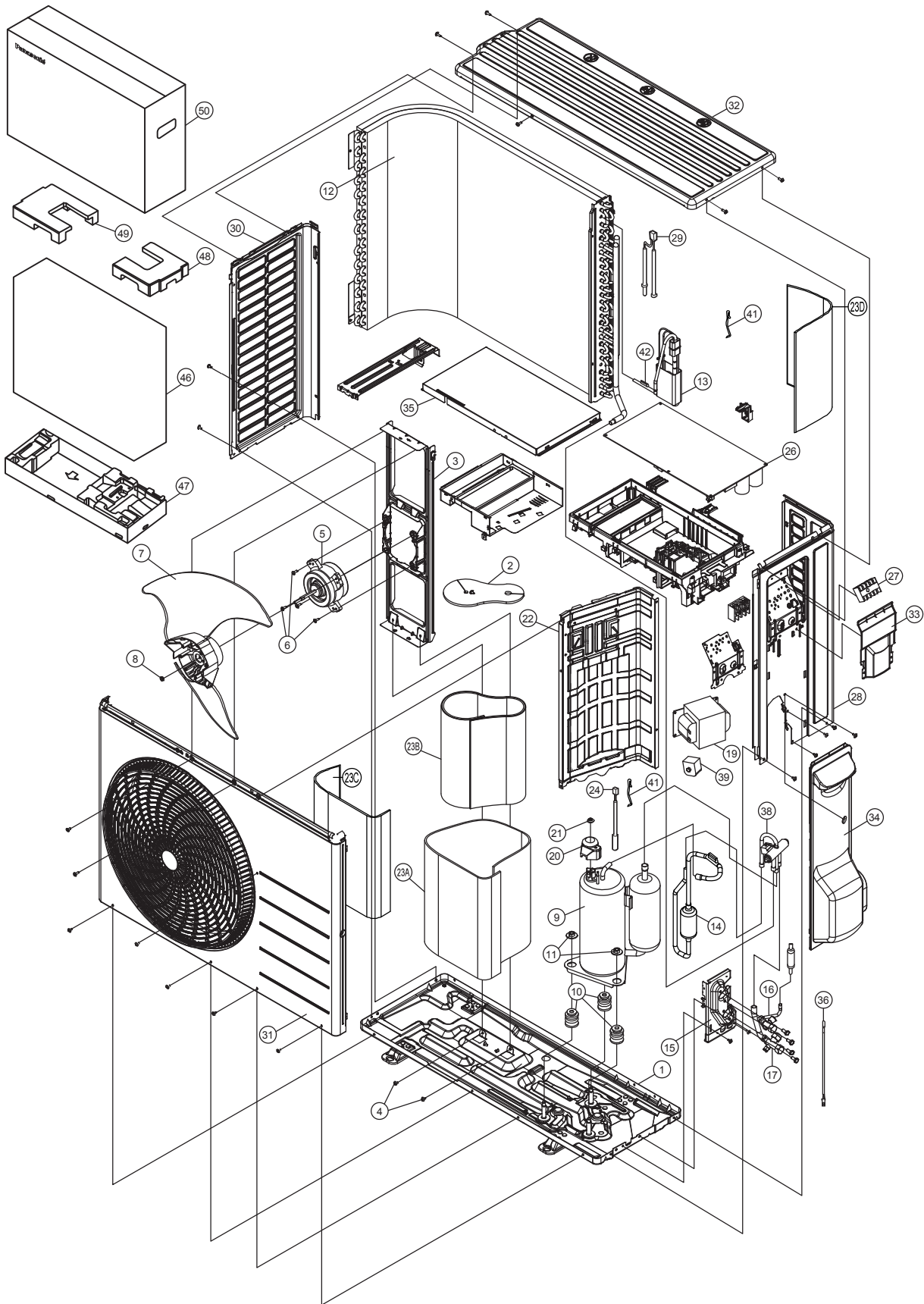
| SAFETY   | REF. NO. | PART NAME & DESCRIPTION           | QTY. | CS-CE9PKE   | CS-CE12PKE | REMARK |
|--|----------|-----------------------------------|------|-------------|------------|--------|
|  | 1        | CHASSY COMPLETE                   | 1    | CWD50C1653  | ←          |        |
|   | 2        | FAN MOTOR                         | 1    | ARW7628ACCB | ←          | O      |
|  | 3        | CROSS FLOW FAN COMPLETE           | 1    | CWH02C1076  | ←          |        |
|  | 4        | BEARING ASS'Y                     | 1    | CWH64K007   | ←          | O      |
|  | 5        | SCREW - CROSS FLOW FAN            | 1    | CWH551146   | ←          |        |
|  | 7        | EVAPORATOR                        | 1    | CWB30C4575  | CWB30C4576 |        |
|  | 8        | FLARE NUT (LIQUID)                | 1    | CWT251030   | ←          |        |
|  | 9        | FLARE NUT (GAS)                   | 1    | CWT251031   | ←          |        |
|  | 10       | HOLDER SENSOR                     | 1    | CWH32143    | ←          |        |
|  | 11       | CONTROL BOARD CASING              | 1    | CWH102449   | ←          |        |
|   | 12       | TERMINAL BOARD COMPLETE           | 1    | CWA28C2364  | ←          | O      |
|   | 13       | ELECTRONIC CONTROLLER - MAIN      | 1    | CWA73C7896  | CWA73C7897 | O      |
|   | 15       | ELECTRONIC CONTROLLER - INDICATOR | 1    | CWA746963   | ←          | O      |
|  | 16       | SENSOR COMPLETE                   | 1    | CWA50C2401  | ←          | O      |
|  | 23       | CONTROL BOARD TOP COVER           | 1    | CWH131467   | ←          |        |
|  | 24       | INDICATOR HOLDER                  | 1    | CWD933406   | ←          |        |
|  | 25       | CONTROL BOARD FRONT COVER         | 1    | CWH13C1247  | ←          |        |
|  | 26       | DISCHARGE GRILLE COMPLETE         | 1    | CWE20C3236  | ←          |        |
|  | 27       | BACK COVER CHASSIS                | 1    | CWD933233   | ←          |        |
|  | 28       | FULCRUM                           | 1    | CWH621131   | ←          |        |
|  | 29       | VERTICAL VANE                     | 8    | CWE241374   | ←          |        |
|  | 30       | CONNECTING BAR                    | 2    | CWE261251   | ←          |        |
|  | 33       | A.S.MOTOR, DC SINGLE 12V 300OHM   | 1    | CWA981264   | ←          | O      |
|  | 34       | CAP - DRAIN TRAY                  | 1    | CWH521259   | ←          |        |
|  | 35       | HORIZONTAL VANE                   | 1    | CWE24C1385  | ←          |        |
|  | 36       | REMOTE CONTROL COMPLETE           | 1    | CWA75C4412  | ←          | O      |
|  | 37       | FRONT GRILLE COMPLETE             | 1    | CWE11C5439  | CWE11C5759 | O      |
|  | 38       | INTAKE GRILLE COMPLETE            | 1    | CWE22C1723  | CWE22C1861 |        |
|  | 39       | GRILLE DOOR                       | 1    | CWE14C1090  | ←          |        |
|  | 40       | AIR FILTER                        | 2    | CWD001279   | ←          | O      |
|  | 41       | SCREW - FRONT GRILLE              | 2    | XTT4+16CFJ  | ←          |        |
|  | 42       | CAP - FRONT GRILLE                | 2    | CWH521227   | ←          |        |
|  | 43       | DRAIN HOSE                        | 1    | CWH851173   | ←          |        |
|  | 44       | INSTALLATION PLATE                | 1    | CWH361134   | ←          |        |
|  | 45       | BAG COMPLETE - INSTALLATION SCREW | 1    | CWH82C1705  | ←          |        |
|  | 46       | OPERATING INSTRUCTION             | 1    | CWF569257   | ←          |        |
|  | 47       | INSTALLATION INSTRUCTION          | 1    | CWF615526   | ←          |        |
|  | 48       | INSTALLATION INSTRUCTION          | 1    | CWF615527   | ←          |        |
|  | 50       | BAG                               | 1    | CWG861497   | ←          |        |
|  | 51       | SHOCK ABSORBER (L)                | 1    | CWG713386   | ←          |        |
|  | 52       | SHOCK ABSORBER (R)                | 1    | CWG713387   | ←          |        |
|  | 53       | C.C.CASE                          | 1    | CWG567354   | ←          |        |
|  | 54       | INSTALLATION INSTRUCTION          | 1    | CWF615528   | ←          |        |
|  | 55       | INSTALLATION INSTRUCTION          | 1    | CWF615529   | ←          |        |
|  | 56       | INSTALLATION INSTRUCTION          | 1    | CWF615530   | ←          |        |

(Note)

- All parts are supplied from PAPAMY, Malaysia (Vendor Code: 00029488).
- "O" marked parts are recommended to be kept in stock.

## 19.2 Outdoor Unit

### 19.2.1 CU-CE9PKE



#### Note

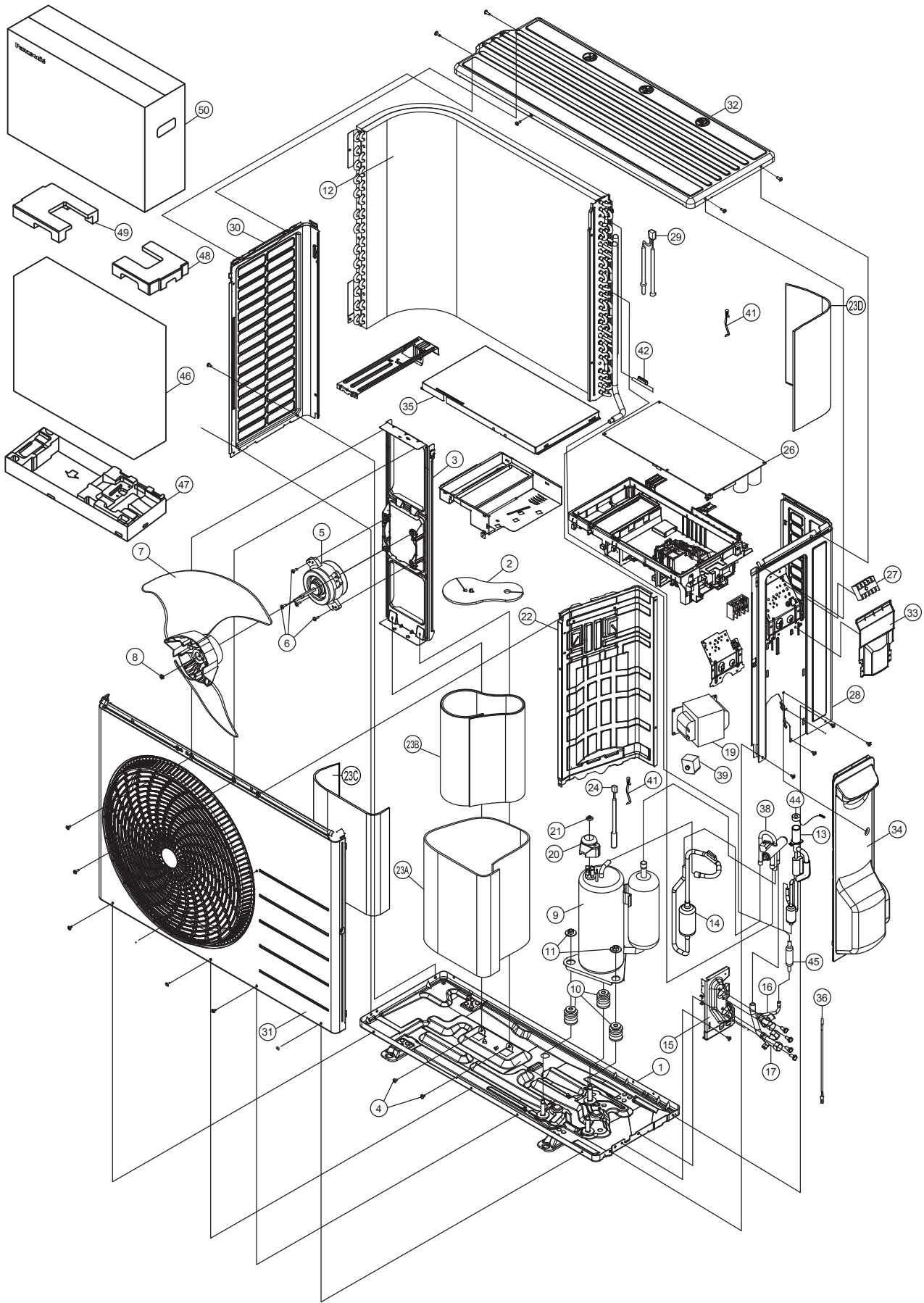
The above exploded view is for the purpose of parts disassembly and replacement.  
The non-numbered parts are not kept as standard service parts.

| SAFETY | REF. NO. | PART NAME & DESCRIPTION               | QTY. | CU-CE9PKE    | REMARK |
|--------|----------|---------------------------------------|------|--------------|--------|
|        | 1        | CHASSY ASS'Y                          | 1    | CWD52K1310   |        |
|        | 2        | SOUND PROOF MATERIAL                  | 1    | CWG302742    |        |
|        | 3        | FAN MOTOR BRACKET                     | 1    | CWD541167    |        |
|        | 4        | SCREW                                 | 2    | CWH551217    |        |
| ⚠      | 5        | FAN MOTOR                             | 1    | CWA951853    | O      |
|        | 6        | SCREW - FAN MOTOR MOUNT               | 4    | CWH55252J    |        |
|        | 7        | PROPELLER FAN ASSY                    | 1    | CWH03K1066   |        |
|        | 8        | NUT - PROPELLER FAN                   | 1    | CWH56053J    |        |
| ⚠      | 9        | COMPRESSOR                            | 1    | 5RD132XFD21  | O      |
|        | 10       | ANTI - VIBRATION BUSHING              | 3    | CWH50077     |        |
|        | 11       | NUT - COMPRESSOR MOUNT                | 3    | CWH561096    |        |
|        | 12       | CONDENSER COMPLETE                    | 1    | CWB32C3560   |        |
|        | 13       | TUBE ASS'Y CO. (CAP. TUBE& CHK VALVE) | 1    | CWT01C6150   |        |
|        | 14       | DISCHARGE MUFFLER                     | 1    | CWB121010    |        |
|        | 15       | HOLDER - COUPLING                     | 1    | CWH351233    |        |
|        | 16       | 2-WAYS VALVE (LIQUID)                 | 1    | CWB021400    | O      |
|        | 17       | 3-WAYS VALVE (GAS)                    | 1    | CWB011374    | O      |
| ⚠      | 19       | REACTOR                               | 1    | G0C193J00016 | O      |
|        | 20       | TERMINAL COVER                        | 1    | CWH171039A   |        |
|        | 21       | NUT - TERMINAL COVER                  | 1    | CWH7080300J  |        |
|        | 22       | SOUND - PROOF BOARD                   | 1    | CWH151364    |        |
|        | 23A      | SOUND PROOF MATERIAL                  | 1    | CWG302856    |        |
|        | 23B      | SOUND PROOF MATERIAL                  | 1    | CWG302858    |        |
|        | 23C      | SOUND PROOF MATERIAL                  | 1    | CWG302857    |        |
|        | 23D      | SOUND PROOF MATERIAL                  | 1    | CWG302855    |        |
|        | 24       | SENSOR - COMPLETE                     | 1    | CWA50C2894   | O      |
| ⚠      | 26       | ELECTRONIC CONTROLLER - MAIN          | 1    | CWA73C7966R  | O      |
| ⚠      | 27       | TERMINAL BOARD ASS'Y                  | 1    | CWA28K1036J  |        |
|        | 28       | CABINET SIDE PLATE CO.                | 1    | CWE04C1482   |        |
|        | 29       | SENSOR - COMPLETE                     | 1    | CWA50C2893   | O      |
|        | 30       | CABINET SIDE PLATE (L)                | 1    | CWE041617A   |        |
|        | 31       | CABINET FRONT PLATE - CO.             | 1    | CWE06C1441   |        |
|        | 32       | CABINET TOP PLATE                     | 1    | CWE031148A   |        |
|        | 33       | PLATE - C.B.COVER                     | 1    | CWH131470A   |        |
|        | 34       | CONTROL BOARD COVER - COMPLETE        | 1    | CWH13C1253   |        |
|        | 35       | CONTROL BOARD COVER                   | 1    | CWH131473    |        |
|        | 36       | BASE PAN HEATER                       | 1    | CWA341072    |        |
|        | 38       | 4-WAYS VALVE                          | 1    | CWB001063    | O      |
| ⚠      | 39       | V-COIL COMPLETE                       | 1    | CWA43C2431   | O      |
|        | 41       | HOLDER - SENSOR                       | 2    | CWH32143     |        |
|        | 42       | HOLDER - SENSOR                       | 1    | CWH32075     |        |
|        | 46       | BAG                                   | 1    | CWG861078    |        |
|        | 47       | BASE BOARD / CC CASE - COMPLETE       | 1    | CWG62C1162   |        |
|        | 48       | SHOCK ABSORBER (RIGHT)                | 1    | CWG713415    |        |
|        | 49       | SHOCK ABSORBER (LEFT)                 | 1    | CWG713416    |        |
|        | 50       | C.C.CASE                              | 1    | CWG566848    |        |

(Note)

- All parts are supplied from PAPAMY, Malaysia (Vendor Code: 00029488).
- "O" marked parts are recommended to be kept in stock.

## 19.2.2 CU-CE12PKE



**Note**  
The above exploded view is for the purpose of parts disassembly and replacement.  
The non-numbered parts are not kept as standard service parts.

| SAFETY | REF. NO. | PART NAME & DESCRIPTION                  | QTY. | CU-CE12PKE   | REMARK |
|--------|----------|--|------|--------------|--------|
|        | 1        | CHASSY ASS'Y                             | 1    | CWD52K1310   |        |
|        | 2        | SOUND PROOF MATERIAL                     | 1    | CWG302742    |        |
|        | 3        | FAN MOTOR BRACKET                        | 1    | CWD541167    |        |
|        | 4        | SCREW - FAN MOTOR BRACKET                | 2    | CWH551217    |        |
| ⚠      | 5        | FAN MOTOR                                | 1    | CWA951854    | O      |
|        | 6        | SCREW - FAN MOTOR MOUNT                  | 4    | CWH55252J    |        |
|        | 7        | PROPELLER FAN ASSY                       | 1    | CWH03K1066   |        |
|        | 8        | NUT - PROPELLER FAN                      | 1    | CWH56053J    |        |
| ⚠      | 9        | COMPRESSOR                               | 1    | 5RD132XFD21  | O      |
|        | 10       | ANTI - VIBRATION BUSHING                 | 3    | CWH50077     |        |
|        | 11       | NUT - COMPRESSOR MOUNT                   | 3    | CWH56000J    |        |
|        | 12       | CONDENSER COMPLETE                       | 1    | CWB32C3559   |        |
|        | 13       | TUBE ASS'Y CO. (EXPAN. VALVE & STRAINER) | 1    | CWT01C6626   |        |
|        | 14       | DISCHARGE MUFFLER                        | 1    | CWB121010    |        |
|        | 15       | HOLDER - COUPLING                        | 1    | CWH351233    |        |
|        | 16       | 2-WAYS VALVE                             | 1    | CWB021590    | O      |
|        | 17       | 3-WAYS VALVE                             | 1    | CWB011374    | O      |
| ⚠      | 19       | REACTOR                                  | 1    | G0C193J00016 | O      |
|        | 20       | TERMINAL COVER                           | 1    | CWH171039A   |        |
|        | 21       | NUT - TERMINAL COVER                     | 1    | CWH7080300J  |        |
|        | 22       | SOUND - PROOF BOARD                      | 1    | CWH151364    |        |
|        | 23A      | SOUND PROOF MATERIAL                     | 1    | CWG302856    |        |
|        | 23B      | SOUND PROOF MATERIAL                     | 1    | CWG302858    |        |
|        | 23C      | SOUND PROOF MATERIAL                     | 1    | CWG302857    |        |
|        | 23D      | SOUND PROOF MATERIAL                     | 1    | CWG302855    |        |
|        | 24       | SENSOR - COMPLETE                        | 1    | CWA50C2894   | O      |
| ⚠      | 26       | ELECTRONIC CONTROLLER - MAIN             | 1    | CWA73C7961R  | O      |
| ⚠      | 27       | TERMINAL BOARD ASS'Y                     | 1    | CWA28K1036J  |        |
|        | 28       | CABINET SIDE PLATE CO.                   | 1    | CWE04C1482   |        |
|        | 29       | SENSOR - COMPLETE                        | 1    | CWA50C2893   | O      |
|        | 30       | CABINET SIDE PLATE (L)                   | 1    | CWE041617A   |        |
|        | 31       | CABINET FRONT PLATE - CO.                | 1    | CWE06C1441   |        |
|        | 32       | CABINET TOP PLATE                        | 1    | CWE031148A   |        |
|        | 33       | PLATE - C.B.COVER                        | 1    | CWH131470A   |        |
|        | 34       | CONTROL BOARD COVER - COMPLETE           | 1    | CWH13C1253   |        |
|        | 35       | CONTROL BOARD COVER                      | 1    | CWH131473    |        |
|        | 36       | BASE PAN HEATER                          | 1    | CWA341072    |        |
|        | 38       | 4-WAYS VALVE                             | 1    | CWB001063    | O      |
| ⚠      | 39       | V-COIL COMPLETE (4-WAYS VALVE)           | 1    | CWA43C2431   | O      |
|        | 41       | HOLDER - SENSOR                          | 2    | CWH32143     |        |
|        | 42       | HOLDER - SENSOR                          | 1    | CWH32075     |        |
| ⚠      | 44       | V-COIL COMPLETE (EXP. VALVE)             | 1    | CWA43C2257   |        |
|        | 45       | DISCHARGE MUFFLER                        | 1    | CWB121058    |        |
|        | 46       | BAG                                      | 1    | CWG861078    |        |
|        | 47       | BASE BOARD / CC CASE - COMPLETE          | 1    | CWG62C1162   |        |

| SAFETY | REF. NO. | PART NAME & DESCRIPTION | QTY. | CU-CE12PKE | REMARK |
|--------|----------|-------------------------|------|------------|--------|
|        | 48       | SHOCK ABSORBER (RIGHT)  | 1    | CWG713415  |        |
|        | 49       | SHOCK ABSORBER (LEFT)   | 1    | CWG713416  |        |
|        | 50       | C.C.CASE                | 1    | CWG566848  |        |

(Note)

- All parts are supplied from PAPAMY, Malaysia (Vendor Code: 00029488).
- "O" marked parts are recommended to be kept in stock.