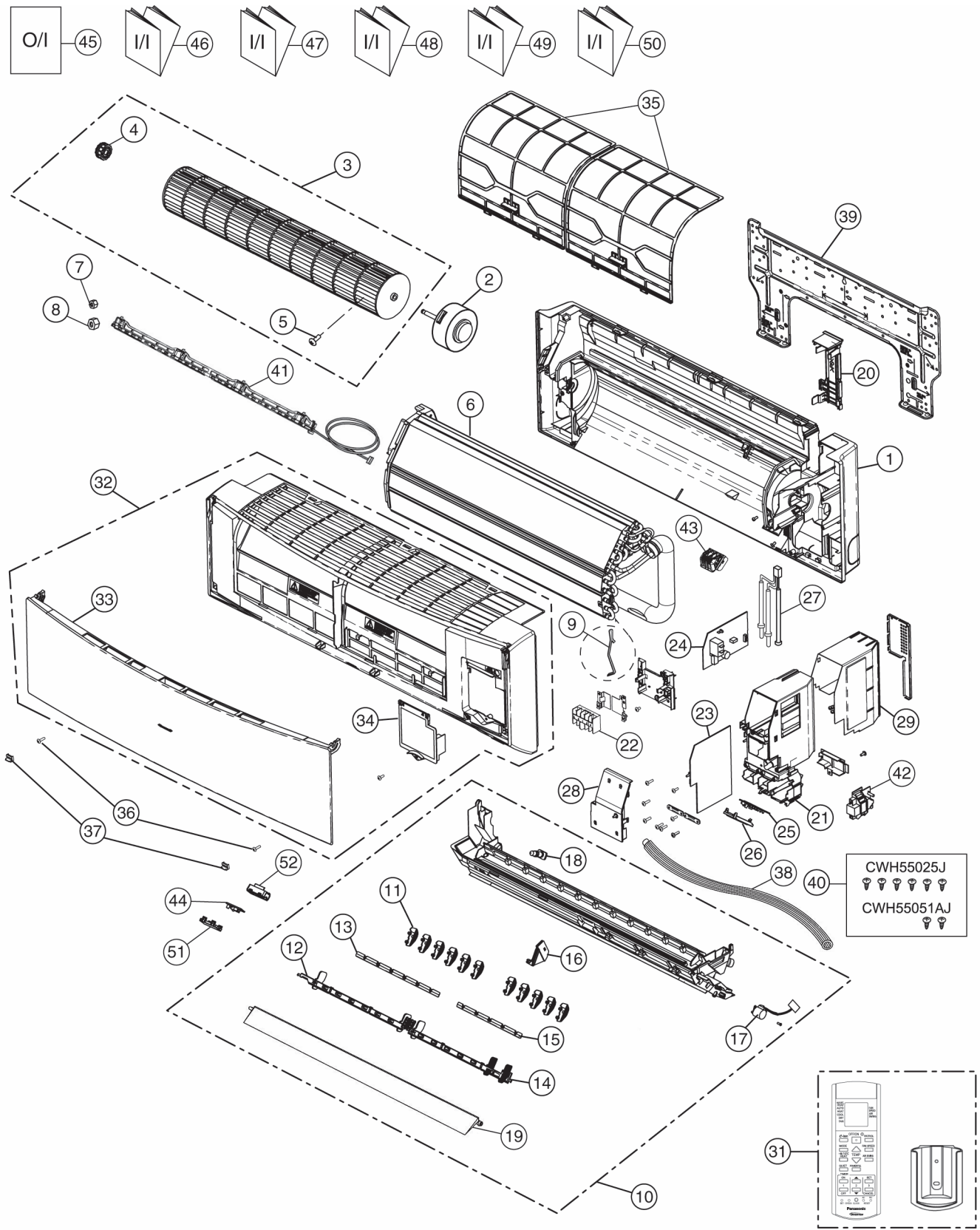


18. Exploded View and Replacement Parts List

18.1 Indoor Unit



Note

The above exploded view is for the purpose of parts disassembly and replacement. The non-numbered parts are not kept as standard service parts.

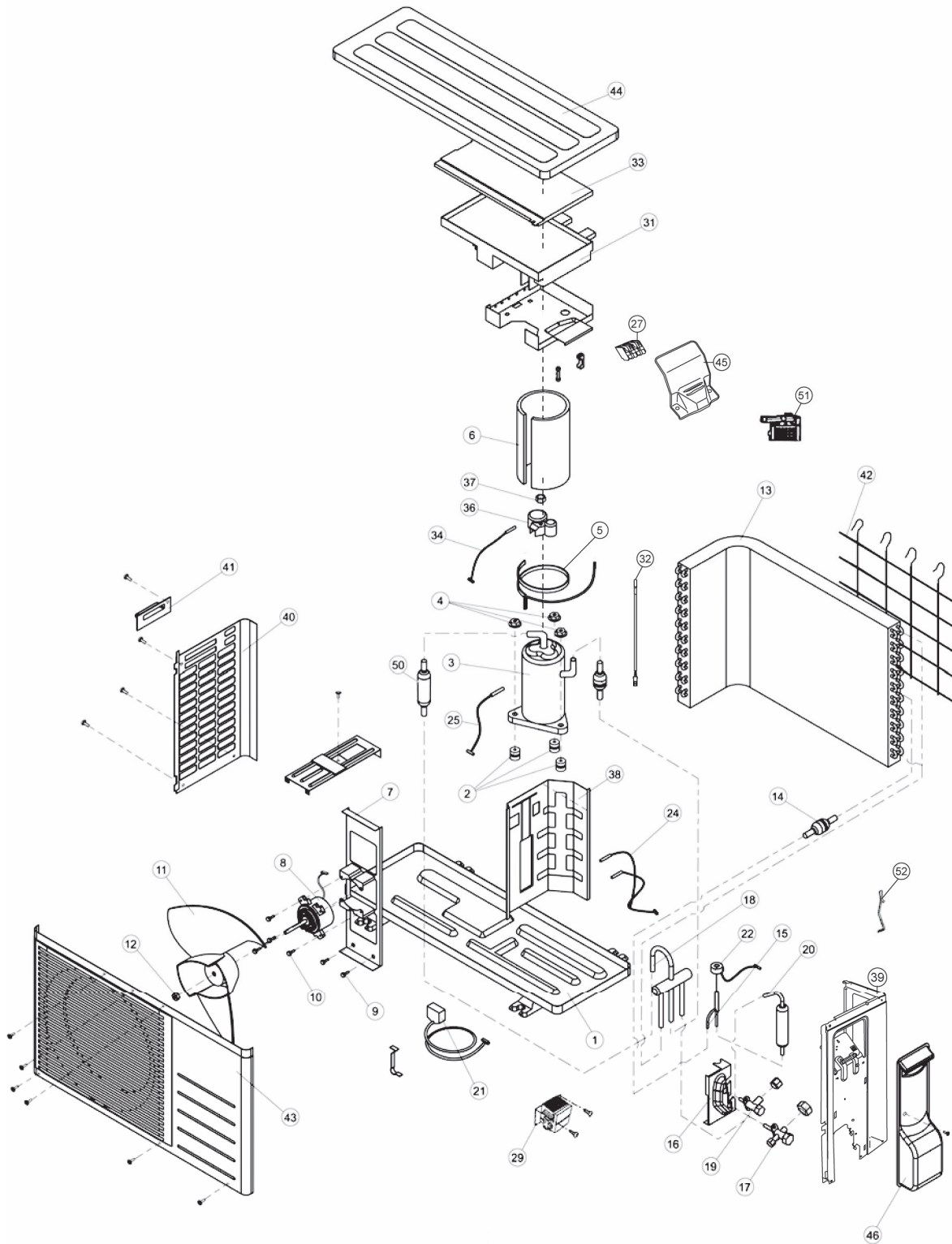
REF. NO.	PART NAME & DESCRIPTION	QTY.	CS-QE9MKE	CS-WE9MKE	CS-QE12MKE	CS-WE12MKE	REMARK
1	CHASSIS COMPLETE	1	CWD50C1599	CWD50C1605	CWD50C1599	CWD50C1605	
2	FAN MOTOR	1	ARW6101CB	←	←	←	O
3	CROSS FLOW FAN COMPLETE	1	CWH02C1076	←	←	←	
4	BEARING ASS'Y	1	CWH64K007	←	←	←	O
5	SCREW - CROSS FLOW FAN	1	CWH551146	←	←	←	
6	EVAPORATOR	1	CWB30C3074	←	CWB30C3323	←	
7	FLARE NUT (LIQUID)	1	CWT251030	←	←	←	
8	FLARE NUT (GAS)	1	CWT251031	←	←	←	
9	HOLDER SENSOR	2	CWH32143	←	←	←	
10	DISCHARGE GRILLE COMPLETE	1	CWE20C3137	CWE20C3247	CWE20C3137	CWE20C3247	
11	VERTICAL VANE	11	CWE241350	←	←	←	
12	CONNECTING BAR	1	CWE261152	←	←	←	
13	CONNECTING BAR	1	CWE261153	←	←	←	
14	CONNECTING BAR	1	CWE261154	←	←	←	
15	CONNECTING BAR	1	CWE261155	←	←	←	
16	FULCRUM	1	CWH621102	←	←	←	
17	A.S.MOTOR, DC SINGLE 12V 300 OHM	1	CWA981264	←	←	←	O
18	CAP - DRAIN TRAY	1	CWH521096	←	←	←	
19	HORIZONTAL VANE	1	CWE24C1268	CWE24C1288	CWE24C1268	CWE24C1288	
20	BACK COVER CHASSIS	1	CWD933233	CWD933233A	CWD933233	CWD933233A	
21	CONTROL BOARD CASING	1	CWH102370	←	←	←	
22	TERMINAL BOARD COMPLETE	1	CWA28C2357	←	←	←	O
23	ELECTRONIC CONTROLLER - MAIN	1	CWA73C5750	←	CWA73C5751	←	O
24	ELECTRONIC CONTROLLER - POWER	1	CWA745837	←	←	←	O
25	ELECTRONIC CONTROLLER - INDICATOR	1	CWA745995	←	←	←	O
26	INDICATOR HOLDER	1	CWD933021	←	←	←	
27	SENSOR COMPLETE	1	CWA50C2664	←	←	←	O
28	CONTROL BOARD FRONT COVER	1	CWH13C1183	←	←	←	
29	CONTROL BOARD TOP COVER	1	CWH131350	←	←	←	
31	REMOTE CONTROL COMPLETE	1	CWA75C3634	←	←	←	O
32	FRONT GRILLE COMPLETE	1	CWE11C4579	CWE11C4581	CWE11C4579	CWE11C4581	O
33	INTAKE GRILLE COMPLETE	1	CWE22C1507	CWE22C1482	CWE22C1507	CWE22C1482	
34	GRILLE DOOR	1	CWE14C1029	CWE14C1038	CWE14C1029	CWE14C1038	
35	E-ION FILTER	2	CWD00K1016	←	←	←	O
36	SCREW - FRONT GRILLE	2	XTT4+16CFJ	←	←	←	
37	CAP - FRONT GRILLE	2	CWH521194	CWH521194A	CWH521194	CWH521194A	
38	DRAIN HOSE	1	CWH851173	←	←	←	
39	INSTALLATION PLATE	1	CWH361097	←	←	←	
40	BAG COMPLETE - INSTALLATION SCREW	1	CWH82C1705	←	←	←	
41	E-ION AIR PURIFYING SYSTEM	1	CWD93C1090	←	←	←	O
42	ELECTRONIC CONTROLLER-HVU	1	CWA745348	←	←	←	O
43	ION GENERATOR	1	CWH94C0028	←	←	←	O
44	ELECTRONIC CONTROLLER - RECEIVER	1	CWA745288	←	←	←	O
45	OPERATING INSTRUCTION	1	CWF568115	←	←	←	
46	INSTALLATION INSTRUCTION	1	CWF614902	←	←	←	
47	INSTALLATION INSTRUCTION	1	CWF614903	←	←	←	
48	INSTALLATION INSTRUCTION	1	CWF614904	←	←	←	
49	INSTALLATION INSTRUCTION	1	CWF614905	←	←	←	
50	INSTALLATION INSTRUCTION	1	CWF614906	←	←	←	

51	COVER FOR RECEIVER (UPPER)	1	CWD933022	←	←	←	
52	COVER FOR RECEIVER (BOTTOM)	1	CWD933209	←	←	←	

(Note)

- All parts are supplied from PHAAM, Malaysia (Vendor Code: 00029488).
“O” marked parts are recommended to be kept in stock.

18.2 Outdoor Unit



Note
The above exploded view is for the purpose of parts disassembly and replacement.
The non-numbered parts are not kept as standard service parts.

REF. NO.	DESCRIPTION & NAME	QTY.	CU-QE9MKE	CU-QE12MKE	REMARK
1	CHASSIS ASS'Y	1	CWD50K2202	←	
2	ANTI-VIBRATION BUSHING	3	CWH50077	←	
3	COMPRESSOR	1	5CS110XBD04	←	O
4	NUT-COMPRESSOR MOUNT	3	CWH56000J	←	
5	CRANKCASE HEATER	1	CWA341072	←	
6	SOUND PROOF MATERIAL	1	CWG302466	←	
7	FAN MOTOR BRACKET	1	CWD541089	←	
8	FAN MOTOR	1	ARW44W8P40AC	←	O
9	SCREW - FAN MOTOR BRACKET	2	CWH551217	←	
10	SCREW - FAN MOTOR MOUNT	4	CWH55252J	←	
11	PROPELLER FAN ASSY	1	CWH03K1014	←	
12	NUT - PROPELLER FAN	1	CWH56053J	←	
13	CONDENSER COMPLETE	1	CWB32C2874	←	
14	STRAINER	1	CWB111004	←	
15	EXPANSION VALVE	1	CWB051016J	←	
16	HOLDER - COUPLING	1	CWH351025	←	
17	3 WAYS VALVE (GAS)	1	CWB011434	←	O
18	4-WAYS VALVE	1	CWB001037J	←	O
19	2 WAYS VALVE (LIQUID)	1	CWB021333	←	O
20	DISCHARGE MUFFLER	1	CWB121021	←	
21	V-COIL COMPLETE	1	CWA43C2144J	←	O
22	V-COIL COMPLETE	1	CWA43C2058J	←	O
24	SENSOR COMPLETE	1	CWA50C2402	←	O
25	SENSOR CO. OUTDOOR DISCHRG TEMP	1	CWA50C2512	←	O
27	TERMINAL BOARD ASSY	1	CWA28K1110J	←	O
29	REACTOR	1	G0C193J00003	←	O
31	ELECTRONIC CONTROLLER - MAIN	1	CWA73C5754R	CWA73C5755R	O
32	CRANKCASE HEATER	1	CWA341050	←	
33	CONTROL BOARD COVER (TOP)	1	CWH131264	←	
34	SENSOR CO.(OUTDOOR COMPRESSOR TEMP)	1	CWA50C2205	←	O
36	TERMINAL COVER	1	CWH171039A	←	
37	NUT-TERMINAL COVER	1	CWH7080300J	←	
38	SOUND PROOF BOARD	1	CWH151188	←	
39	CABINET SIDE PLATE (R)	1	CWE04C1212	←	
40	CABINET SIDE PLATE (L)	1	CWE041278A	←	
41	HANDLE	1	CWE161010	←	
42	WIRE NET	1	CWD041111A	←	
43	CABINET FRONT PLATE CO.	1	CWE06C1136	←	
44	CABINET TOP PLATE	1	CWE031014A	←	
45	PLATE-C.B.COVER	1	CWH131301	←	
46	CONTROL BOARD COVER COMPLETE	1	CWH13C1211	←	
50	RECEIVER	1	CWB14011	←	
51	HOLDER SENSOR	1	CWH321023	←	
52	HOLDER SENSOR	2	CWH32143	←	

(Note)

- All parts are supplied from PHAAM, Malaysia (Vendor Code: 00029488).
- “O” marked parts are recommended to be kept in stock.