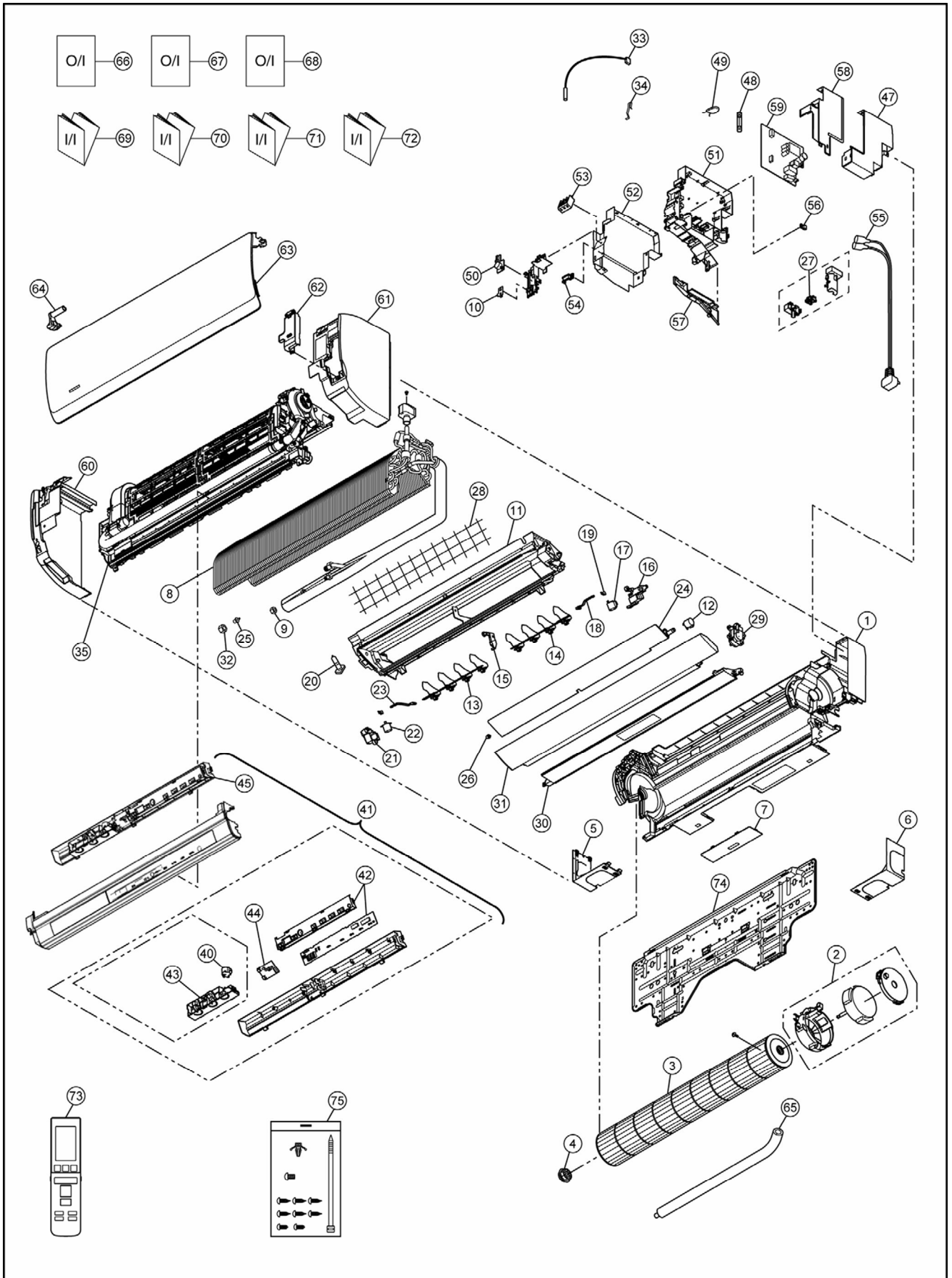
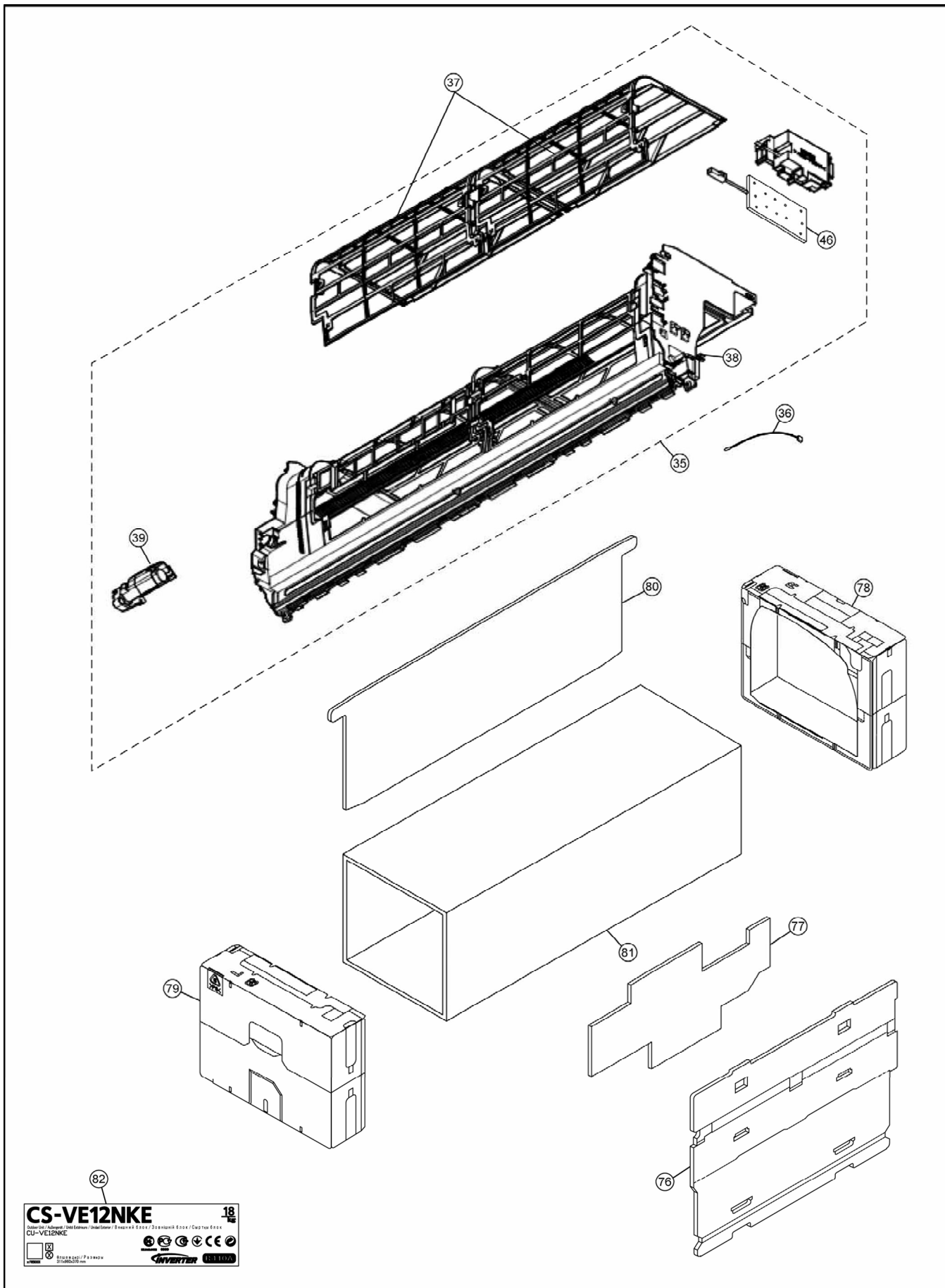


18. Exploded View and Replacement Parts List

18.1 Indoor Unit





Note
 The above exploded view is for the purpose of parts disassembly and replacement.
 The non-numbered parts are not kept as standard service parts.

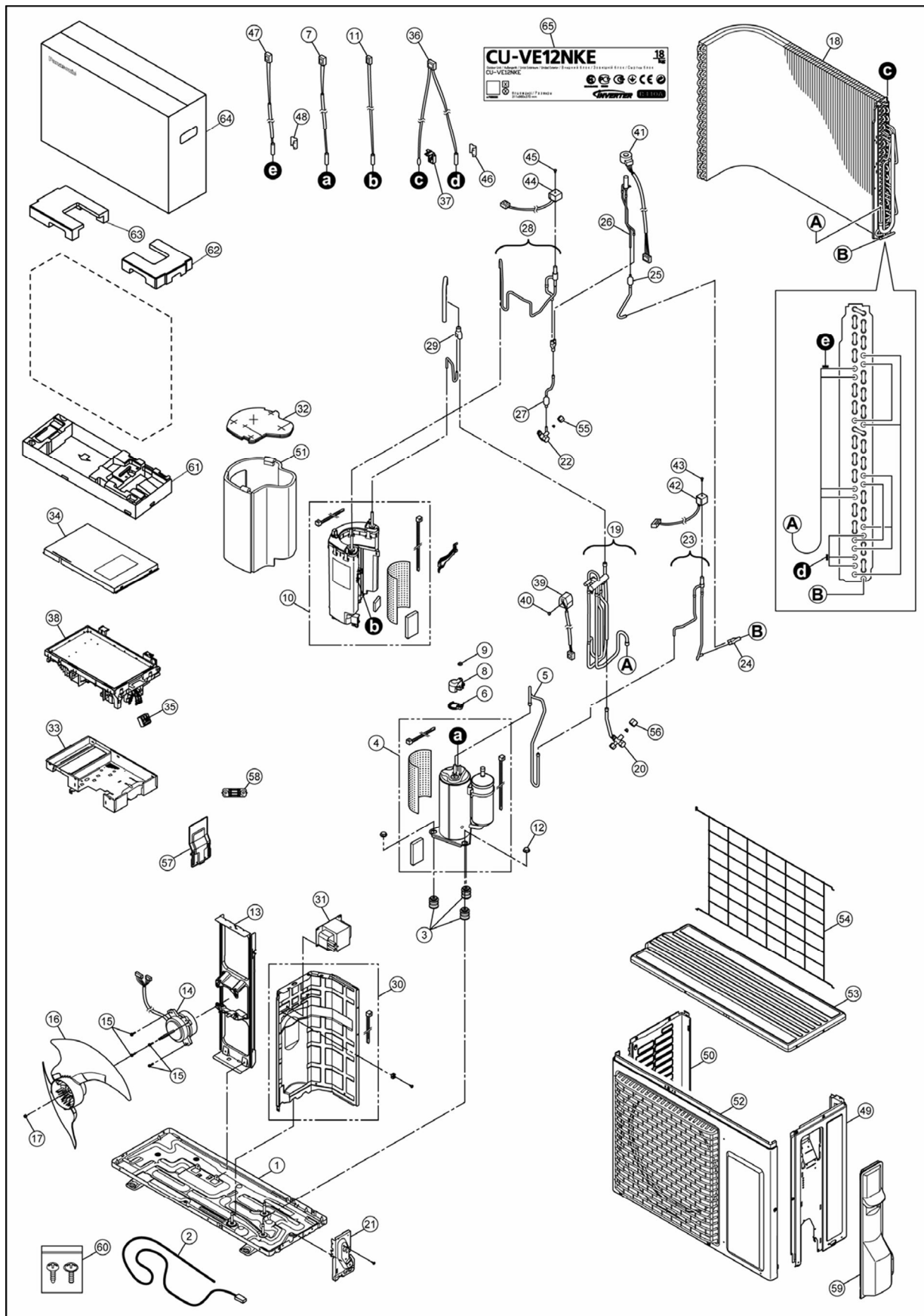
| SAFETY | REF NO. | PART NAME & DESCRIPTION | QTY. | CS-VE9NKE | CS-VE12NKE | REMARK |
|--------|---------|------------------------------|------|--------------|------------|--------|
| | 1 | CHASSIS | 1 | CWD50C1740 | ← | |
| ⚠ | 2 | MOTOR (SMALL DC) | 1 | ARW7714AC | ← | O |
| | 3 | CROSS-FLOW FAN ASS'Y | 1 | CWH02K1068 | ← | |
| | 4 | BEARING ASS'Y | 1 | CWH64K1005 | ← | |
| | 5 | L-SHAPED PLATE | 1 | CWD601212 | ← | |
| | 6 | L-SHAPED PLATE | 1 | CWD601213 | ← | |
| | 7 | PARTICULAR PLATE | 1 | CWD911992B | ← | |
| | 8 | HEAT EXCHANGER | 1 | CWB30C3987 | ← | |
| | 9 | UNION NUT | 1 | CWT251026 | ← | |
| | 10 | PARTICULAR PIECE | 1 | CWD933627 | ← | |
| | 11 | DISCHARGE GRILLE | 1 | CWE20C3311 | ← | |
| | 12 | GEARED STEPPING MOTORS | 1 | L6JAYYYH0030 | ← | |
| | 13 | VANE-COMPLETE (L) | 1 | CWE24C1336 | ← | |
| | 14 | VANE-COMPLETE (R) | 1 | CWE24C1423 | ← | |
| | 15 | FULCRUM | 1 | CWH621122 | ← | |
| | 16 | RAIN COVER | 1 | CWH811142 | ← | |
| ⚠ | 17 | GEARED STEPPING MOTORS | 1 | L6JAYYYH0031 | ← | O |
| | 18 | LEVER ARM | 1 | CWH651067 | ← | |
| | 19 | ROD | 1 | CWH661019 | ← | |
| | 20 | CAP | 1 | CWH521096 | ← | |
| | 21 | RAIN COVER | 1 | CWH811143 | ← | |
| ⚠ | 22 | GEARED STEPPING MOTORS | 1 | L6JAYYYH0034 | ← | O |
| | 23 | LEVER ARM | 1 | CWH651068 | ← | |
| | 24 | VANE | 1 | CWE241362 | ← | |
| | 25 | CAP | 1 | CWH521121 | ← | |
| | 26 | SHAFT | 1 | CWMH630001 | ← | |
| | 27 | GENERATOR COMPLETE | 1 | CWH94C0049 | ← | |
| | 28 | WIRE NET.RESIN NET | 1 | CWD041191 | ← | |
| | 29 | GEAR-COMPLETE | 1 | CWH68C1073 | ← | |
| | 30 | PARTICULAR PLATE | 1 | CWD91C0194 | ← | |
| | 31 | VANE-COMPLETE | 1 | CWE24C1348 | ← | |
| | 32 | UNION NUT | 1 | CWT251027 | ← | |
| | 33 | SENSOR-COMPLETE | 1 | CWA50C2645 | ← | O |
| | 34 | HOLDER-SENSOR | 1 | CWH32137 | ← | |
| | 35 | FRAME FOR AIR FILTER | 1 | CWD01C1166 | ← | |
| | 36 | SENSOR-COMPLETE | 1 | CWA50C2997 | ← | O |
| | 37 | AIR FILTER | 2 | CWD001315 | ← | |
| | 38 | PARTICULAR PLATE | 1 | CWD912160 | ← | |
| | 39 | GEAR-COMPLETE | 1 | CWH68C1048 | ← | |
| | 40 | GEARED STEPPING MOTORS | 1 | L6JAYYYH0017 | ← | O |
| | 41 | SENSOR CASE | 1 | CWE18C1066 | ← | |
| ⚠ | 42 | ELECTRONIC CONTROL-INDICATE | 1 | CWA74C1093 | ← | O |
| | 43 | SENSOR CASE | 1 | CWE18C1070 | ← | |
| ⚠ | 44 | ELECTRONIC CONTROL-RECEIVE | 1 | CWA747172 | ← | O |
| | 45 | CONTROL PANEL | 1 | CWE312919 | ← | |
| ⚠ | 46 | HI-VOLT PW SUPPLY(600V MORE) | 1 | N0GE1F000002 | ← | |
| | 47 | CONTROL BOARD COVER | 1 | CWH13C1245 | ← | |
| | 48 | FUSE(250V,2.5A) | 1 | K5D252YYA053 | ← | |
| | 49 | VARISTOR | 1 | ERZVEAV511 | ← | |
| ⚠ | 50 | ELECTRONIC CONTROL-AUTO | 1 | CWA746050 | ← | O |
| | 51 | CONTROL BOARD | 1 | CWH121025 | ← | |
| | 52 | CONTROL BOARD COVER | 1 | CWH131552 | ← | |
| ⚠ | 53 | TERMINAL BOARD | 1 | CWA28C2570 | ← | O |
| | 54 | HOLDER-P.S. CORD | 1 | CWH311083 | ← | |
| ⚠ | 55 | POWER SUPPLY CORD | 1 | CWA20C3084 | ← | |

| SAFETY | REF NO. | PART NAME & DESCRIPTION | QTY. | CS-VE9NKE | CS-VE12NKE | REMARK |
|---|---------|---------------------------------|------|------------|------------|--------|
| | 56 | HOLDER-P.S. CORD | 1 | CWH311001 | ← | |
| | 57 | PARTICULAR PIECE | 1 | CWD933197 | ← | |
| | 58 | CONTROL BOARD COVER | 1 | CWH131370 | ← | |
|  | 59 | ELECTRONIC CONTROL-MAIN | 1 | CWA73C6759 | CWA73C6760 | O |
| | 60 | FRONT GRILLE FRAME | 1 | CWE121212 | ← | |
| | 61 | FRONT GRILLE FRAME | 1 | CWE121213 | ← | |
| | 62 | GRILLE DOOR | 1 | CWE14C1100 | ← | |
| | 63 | INTAKE GRILLE | 1 | CWE22C1788 | ← | |
| | 64 | GEAR | 1 | CWH681032 | ← | |
| | 65 | DRAIN HOSE | 1 | CWH851142 | ← | |
| | 66 | OPE.. INST. (EN,FR,ES,DE,IT,NL) | 1 | CWF568728 | ← | |
| | 67 | OPE.. INST. (BG,SE,DK,FI,NO,HR) | 1 | CWF568770 | ← | |
| | 68 | OPE.. INST. (RU,UA,KZ) | 1 | CWF568771 | ← | |
| | 69 | INSTAL. INST. (NO,SE,FI,DK) | 1 | CWF60C1732 | ← | |
| | 70 | INSTAL. INST. (EN,ES,IT,NL) | 1 | CWF60C1733 | ← | |
| | 71 | INSTAL. INST. (BG,FR,DE,HR) | 1 | CWF60C1734 | ← | |
| | 72 | INSTAL. INST. (RU,UA,KZ) | 1 | CWF60C1735 | ← | |
| | 73 | REMOTE CONTROL | 1 | CWA75C4116 | ← | |
| | 74 | INSTALLING HOLDER | 1 | CWH361115 | ← | |
| | 75 | SCREWS FOR INSTALLATION | 1 | CWH82C1461 | ← | |
| | 76 | PACKAGING-C.C.BOARD | 1 | CWG572706 | ← | |
| | 77 | SHOCK ABSORBER | 1 | CWG713379 | ← | |
| | 78 | SHOCK ABSORBER | 1 | CWG70C2171 | ← | |
| | 79 | SHOCK ABSORBER | 1 | CWG70C2172 | ← | |
| | 80 | PACKAGING-C.C.BOARD | 1 | CWG572654 | ← | |
| | 81 | PACKAGING-C.C.CASE | 1 | CWG568488 | ← | |
| | 82 | MODEL LABEL | 2 | CWF858656 | CWF858614 | |

(Note)

- All parts are supplied from ACBU, Japan (Vendor Code: 00025800).
- "O" marked parts are recommended to be kept in stock.

18.2 Outdoor Unit



Note

The above exploded view is for the purpose of parts disassembly and replacement. The non-numbered parts are not kept as standard service parts.

| SAFETY | REF. NO. | DESCRIPTION & NAME | QTY. | CU-VE9NKE | CU-VE12NKE | REMARK |
|--------|----------|------------------------------|------|--------------|-------------|--------|
| | 1 | CHASSIS | 1 | CWD50K2229 | ← | |
| | 2 | HEATER | 1 | CWA341072 | ← | |
| | 3 | ANTI-VIBRATION BUSHING | 3 | CWH50077 | ← | |
| ⚠ | 4 | COMPRESSOR | 1 | CWB092610 | ← | O |
| | 5 | MULTIBENT TUBE | 1 | CWT338949 | ← | |
| | 6 | PARTICULAR PIECE | 1 | CWD933310 | ← | |
| | 7 | SENSOR-COMPLETE | 1 | CWA50C2676 | ← | |
| | 8 | TERMINAL COVER | 1 | CWH171053 | ← | |
| | 9 | NUT-TERMINAL COVER | 1 | CWH7080300J | ← | |
| | 10 | HEAT CHARGER | 1 | CWH90C0037X | ← | |
| | 11 | SENSOR-COMPLETE | 1 | CWA50C2742XE | ← | O |
| | 12 | NUT | 2 | CWH56000J | ← | |
| | 13 | FAN MOTOR BRACKET | 1 | CWD541140 | ← | |
| ⚠ | 14 | MOTOR (SMALL DC) | 1 | ARS8406AC | ← | O |
| | 15 | SCREW | 4 | CWH55252J | ← | |
| | 16 | PROPELLER FAN ASSY | 1 | CWH03K1067 | ← | |
| | 17 | NUT | 1 | CWH56053J | ← | |
| | 18 | HEAT EXCHANGER | 1 | CWB32C3187 | ← | |
| | 19 | TUBE ASS'Y (4-WAYS VALVE) | 1 | CWT028012 | ← | |
| | 20 | 3-WAYS VALVE | 1 | CWB011654 | ← | O |
| | 21 | HOLDER-COUPLING | 1 | CWH351180 | ← | |
| | 22 | 2-WAYS VALVE | 1 | CWB021540 | ← | O |
| | 23 | TUBE ASS'Y (2-WAYS VALVE) | 1 | CWT028014 | ← | |
| | 24 | MANIFOLD TUBE | 1 | CWT071013 | ← | |
| | 25 | TUBE ASS'Y (STRAINER) | 1 | CWT028162 | ← | |
| | 26 | TUBE ASS'Y (EXPANSION VALVE) | 1 | CWT027235 | ← | |
| | 27 | TUBE ASS'Y (STRAINER) | 1 | CWT027224 | ← | |
| | 28 | TUBE ASS'Y (2-WAYS VALVE) | 1 | CWT028175 | ← | |
| | 29 | MANIFOLD TUBE | 1 | CWT071014 | ← | |
| | 30 | SOUND-PROOF BOARD | 1 | CWH15C1066 | ← | |
| ⚠ | 31 | REACTOR | 1 | G0C392J00011 | ← | |
| | 32 | SOUND PROOF MATERIAL | 1 | CWG302688 | ← | |
| | 33 | PARTICULAR PLATE-A'SSY | 1 | CWD90K1059 | ← | |
| | 34 | CONTROL BOARD COVER | 1 | CWH131550 | ← | |
| ⚠ | 35 | TERMINAL BOARD ASS'Y | 1 | CWA28K1121 | ← | O |
| | 36 | SENSOR-COMPLETE | 1 | CWA50C2765 | ← | O |
| | 37 | HOLDER-SENSOR | 1 | CWH321091 | ← | |
| ⚠ | 38 | ELECTRONIC CONTROL-MAIN | 1 | CWA73C6695R | CWA73C6696R | O |
| ⚠ | 39 | V-COIL 4-WAYS VALVE | 1 | CWA43C2400 | ← | |
| | 40 | SCREW | 1 | CWH551298 | ← | |
| ⚠ | 41 | V-COIL EXPANTION VALVE | 1 | CWA43C2413 | ← | |
| ⚠ | 42 | V-COIL 2-WAYS VALVE | 1 | CWA43C2426 | ← | |
| | 43 | SCREW | 1 | CWH551068J | ← | |
| ⚠ | 44 | V-COIL 2-WAYS VALVE | 1 | CWA43C2471 | ← | |
| | 45 | SCREW | 1 | CWH551068J | ← | |
| | 46 | HOLDER-SENSOR | 1 | CWH321048 | ← | |
| | 47 | SENSOR-COMPLETE | 1 | CWA50C2746 | ← | O |
| | 48 | HOLDER-SENSOR | 1 | CWH321048 | ← | |
| | 49 | CABINET SIDE PLATE | 1 | CWE04C1401 | ← | |
| | 50 | CABINET SIDE PLATE | 1 | CWE041673 | ← | |
| | 51 | SOUND PROOF MATERIAL | 1 | CWG302588 | ← | |
| | 52 | CABINET FRONT PLATE | 1 | CWE06C1436 | ← | |
| | 53 | CABINET TOP PLATE | 1 | CWE031130 | ← | |
| | 54 | WIRE NET.RESIN NET | 1 | CWD041143 | ← | |
| | 55 | UNION NUT 1/4" | 1 | CWT251048 | ← | |

| SAFETY | REF. NO. | DESCRIPTION & NAME | QTY. | CU-VE9NKE | CU-VE12NKE | REMARK |
|--------|----------|---------------------|------|------------|------------|--------|
| | 56 | UNION NUT 3/8" | 1 | CWT251049 | ← | |
| | 57 | CONTROL BOARD COVER | 1 | CWH131551 | ← | |
| | 58 | HOLDER-P.S. CORD | 1 | CWH311082 | ← | |
| | 59 | CONTROL BOARD COVER | 1 | CWH13C1214 | ← | |
| | 60 | SCREW | 2 | CWH551060J | ← | |
| | 61 | PACKAGING-C.C.CASE | 1 | CWG50C2950 | ← | |
| | 62 | SHOCK ABSORBER | 1 | CWG713492 | ← | |
| | 63 | SHOCK ABSORBER | 1 | CWG713493 | ← | |
| | 64 | PACKAGING-C.C.CASE | 1 | CWG568489 | ← | |
| | 65 | MODEL LABEL | 4 | CWF858652 | CWF858653 | |

(Note)

- All parts are supplied from ACBU, Japan (Vendor Code: 00025800).
- "O" marked parts are recommended to be kept in stock.