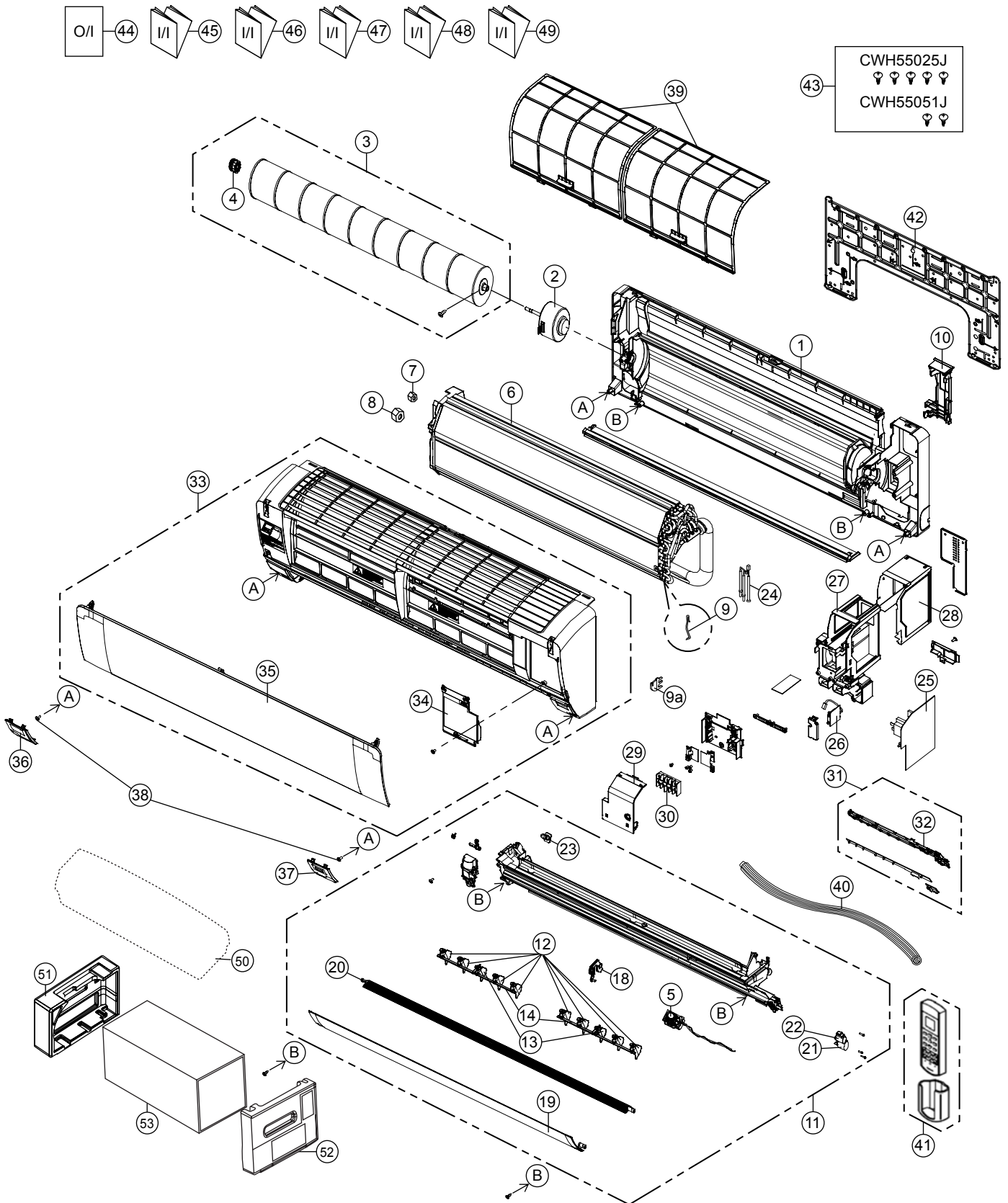


# 18. Exploded View and Replacement Parts List

## 18.1 Indoor Unit



**Note**  
 The above exploded view is for the purpose of parts disassembly and replacement.  
 The non-numbered parts are not kept as standard service parts.

REF. NO.	PART NAME & DESCRIPTION	QTY	CS-NE9NKE	CS-NE12NKE	REMARK
1	CHASSY COMPLETE	1	CWD50C1730	←	
2	FAN MOTOR	1	ARW7666ACCB	←	O
3	CROSS-FLOW FAN COMPLETE	1	CWH02C1135	←	
4	BEARING ASS'Y	1	CWH64K1010	←	
5	GENERATOR COMPLETE	1	CWH94C0048	←	
6	EVAPORATOR COMPLETE	1	CWB30C3968	CWB30C3966	
7	FLARE NUT (LIQUID)	1	CWT251030	←	
8	FLARE NUT (GAS)	1	CWT251031	←	
9	HOLDER SENSOR	1	CWH32143	←	
9a	HOLDER SENSOR	1	CWH321085	←	
10	BACK COVER CHASSIS	1	CWD933463	←	
11	DISCHARGE GRILLE COMPLETE	1	CWE20C3306	←	
12	VERTICAL VANE	8	CWE241389	←	
13	VERTICAL VANE	2	CWE241409	←	
14	CONNECTING BAR	2	CWE261272	←	
18	FULCRUM	1	CWH621139	←	
19	HORIZONTAL VANE COMPLETE	1	CWE24C1422	←	
20	HORIZONTAL VANE COMPLETE	1	CWE24C1421	←	
21	AIR SWING MOTOR	1	CWA981241	←	O
22	AIR SWING MOTOR	1	CWA981299	←	O
23	CAP - DRAIN TRAY	1	CWH521259	←	
24	SENSOR COMPLETE	1	CWA50C2663	←	
25	ELECTRONIC CONTROLLER - MAIN	1	CWA73C6846	CWA73C6847	O
26	ELECTRONIC CONTROLLER - HVU	1	N0GE1F000002	←	O
27	CONTROL BOARD CASING	1	CWH102456	←	
28	CONTROL BOARD TOP COVER	1	CWH131531	←	
29	CONTROL BOARD FRONT COVER CO.	1	CWH13C1286	←	
30	TERMINAL BOARD COMPLETE	1	CWA28C2364	←	
31	INDICATOR COMPLETE	1	CWE39C1231	←	
32	INDICATOR HOLDER	1	CWD933466	←	
33	FRONT GRILLE COMPLETE	1	CWE11C5433	←	O
34	GRILLE DOOR COMPLETE	1	CWE14C1099	←	
35	INTAKE GRILLE COMPLETE	1	CWE22K1610	←	O
36	DECORATION BASE ASS'Y (L)	1	CWE351341	←	
37	DECORATION BASE ASS'Y (R)	1	CWE351326	←	
38	SCREW - FRONT GRILLE	2	XTT4+16CFJ	←	
39	AIR FILTER	2	CWD001326	←	
40	FLEXIBLE PIPE	1	CWH851173	←	
41	REMOTE CONTROL COMPLETE	1	CWA75C4153	←	O
42	INSTALLATION PLATE	1	CWH361134	←	
43	BAG COMPLETE - INSTALLATION SCREW	1	CWH82C1705	←	
44	OPERATING INSTRUCTION	1	CWF568749	←	
45	INSTALLATION INSTRUCTION	1	CWF615521	←	
46	INSTALLATION INSTRUCTION	1	CWF615522	←	
47	INSTALLATION INSTRUCTION	1	CWF615523	←	
48	INSTALLATION INSTRUCTION	1	CWF615524	←	
49	INSTALLATION INSTRUCTION	1	CWF615525	←	
50	BAG	1	CWG861515	←	

REF. NO.	PART NAME & DESCRIPTION	QTY	CS-NE9NKE	CS-NE12NKE	REMARK
51	SHOCK ABSORBER (L)	1	CWG713484	←	
52	SHOCK ABSORBER (R)	1	CWG713485	←	
53	C.C.CASE	1	CWG568509	←	

(Note)

- All parts are supplied from PAPAMY, Malaysia (Vendor Code: 00029488).
- "O" marked parts are recommended to be kept in stock.

REF. NO.	PART NAME & DESCRIPTION	QTY	CS-XE9NKE-5	CS-XE12NKE-5	REMARK
1	CHASSY COMPLETE	1	CWD50C1731	←	
2	FAN MOTOR	1	ARW7666ACCB	←	O
3	CROSS-FLOW FAN COMPLETE	1	CWH02C1135	←	
4	BEARING ASS'Y	1	CWH64K1010	←	
5	GENERATOR COMPLETE	1	CWH94C0048	←	
6	EVAPORATOR COMPLETE	1	CWB30C3968	CWB30C3966	
7	FLARE NUT (LIQUID)	1	CWT251030	←	
8	FLARE NUT (GAS)	1	CWT251031	←	
9	HOLDER SENSOR	1	CWH32143	←	
9a	HOLDER SENSOR	1	CWH321085	←	
10	BACK COVER CHASSIS	1	CWD933463A	←	
11	DISCHARGE GRILLE COMPLETE	1	CWE20C3308	←	
12	VERTICAL VANE	8	CWE241389	←	
13	VERTICAL VANE	2	CWE241409	←	
14	CONNECTING BAR	2	CWE261272	←	
18	FULCRUM	1	CWH621139	←	
19	HORIZONTAL VANE COMPLETE	1	CWE24C1431	←	
20	HORIZONTAL VANE COMPLETE	1	CWE24C1421	←	
21	AIR SWING MOTOR	1	CWA981241	←	O
22	AIR SWING MOTOR	1	CWA981299	←	O
23	CAP - DRAIN TRAY	1	CWH521259	←	
24	SENSOR COMPLETE	1	CWA50C2663	←	
25	ELECTRONIC CONTROLLER - MAIN	1	CWA73C6846	CWA73C6847	O
26	ELECTRONIC CONTROLLER - HVU	1	N0GE1F000002	←	O
27	CONTROL BOARD CASING	1	CWH102456	←	
28	CONTROL BOARD TOP COVER	1	CWH131531	←	
29	CONTROL BOARD FRONT COVER CO.	1	CWH13C1286	←	
30	TERMINAL BOARD COMPLETE	1	CWA28C2364	←	
31	INDICATOR COMPLETE	1	CWE39C1231	←	
32	INDICATOR HOLDER	1	CWD933466	←	
33	FRONT GRILLE COMPLETE	1	CWE11C5436	←	O
34	GRILLE DOOR COMPLETE	1	CWE14C1102	←	
35	INTAKE GRILLE COMPLETE	1	CWE22K1611	←	O
36	DECORATION BASE ASS'Y (L)	1	CWE35K1145	←	
37	DECORATION BASE ASS'Y (R)	1	CWE35C1192	←	
38	SCREW - FRONT GRILLE	2	XTT4+16CFJ	←	
39	AIR FILTER	2	CWD001326	←	
40	FLEXIBLE PIPE	1	CWH851173	←	
41	REMOTE CONTROL COMPLETE	1	CWA75C4153	←	O
42	INSTALLATION PLATE	1	CWH361134	←	
43	BAG COMPLETE - INSTALLATION SCREW	1	CWH82C1705	←	
44	OPERATING INSTRUCTION	1	CWF568749	←	
45	INSTALLATION INSTRUCTION	1	CWF615521	←	
46	INSTALLATION INSTRUCTION	1	CWF615522	←	
47	INSTALLATION INSTRUCTION	1	CWF615523	←	
48	INSTALLATION INSTRUCTION	1	CWF615524	←	
49	INSTALLATION INSTRUCTION	1	CWF615525	←	
50	BAG	1	CWG861515	←	

REF. NO.	PART NAME & DESCRIPTION	QTY	CS-XE9NKE-5	CS-XE12NKE-5	REMARK
51	SHOCK ABSORBER (L)	1	CWG713484	←	
52	SHOCK ABSORBER (R)	1	CWG713485	←	
53	C.C.CASE	1	CWG568509	←	

(Note)

- All parts are supplied from PAPAMY, Malaysia (Vendor Code: 00029488).
- “O” marked parts are recommended to be kept in stock.

REF. NO.	PART NAME & DESCRIPTION	QTY	CS-QE9NKE	CS-QE12NKE	REMARK
1	CHASSY COMPLETE	1	CWD50C1730	←	
2	FAN MOTOR	1	ARW7666ACCB	←	O
3	CROSS-FLOW FAN COMPLETE	1	CWH02C1135	←	
4	BEARING ASS'Y	1	CWH64K1010	←	
5	GENERATOR COMPLETE	1	CWH94C0048	←	
6	EVAPORATOR COMPLETE	1	CWB30C3968	CWB30C3966	
7	FLARE NUT (LIQUID)	1	CWT251030	←	
8	FLARE NUT (GAS)	1	CWT251031	←	
9	HOLDER SENSOR	1	CWH32143	←	
9a	HOLDER SENSOR	1	CWH321085	←	
10	BACK COVER CHASSIS	1	CWD933463	←	
11	DISCHARGE GRILLE COMPLETE	1	CWE20C3306	←	
12	VERTICAL VANE	8	CWE241389	←	
13	VERTICAL VANE	2	CWE241409	←	
14	CONNECTING BAR	2	CWE261272	←	
18	FULCRUM	1	CWH621139	←	
19	HORIZONTAL VANE COMPLETE	1	CWE24C1422	←	
20	HORIZONTAL VANE COMPLETE	1	CWE24C1421	←	
21	AIR SWING MOTOR	1	CWA981241	←	O
22	AIR SWING MOTOR	1	CWA981299	←	O
23	CAP - DRAIN TRAY	1	CWH521259	←	
24	SENSOR COMPLETE	1	CWA50C2663	←	
25	ELECTRONIC CONTROLLER - MAIN	1	CWA73C6848	CWA73C6849	O
26	ELECTRONIC CONTROLLER - HVU	1	N0GE1F000002	←	O
27	CONTROL BOARD CASING	1	CWH102456	←	
28	CONTROL BOARD TOP COVER	1	CWH131531	←	
29	CONTROL BOARD FRONT COVER CO.	1	CWH13C1286	←	
30	TERMINAL BOARD COMPLETE	1	CWA28C2364	←	
31	INDICATOR COMPLETE	1	CWE39C1231	←	
32	INDICATOR HOLDER	1	CWD933466	←	
33	FRONT GRILLE COMPLETE	1	CWE11C5434	←	O
34	GRILLE DOOR COMPLETE	1	CWE14C1099	←	
35	INTAKE GRILLE COMPLETE	1	CWE22K1610	←	O
36	DECORATION BASE ASS'Y (L)	1	CWE351341	←	
37	DECORATION BASE ASS'Y (R)	1	CWE351326	←	
38	SCREW - FRONT GRILLE	2	XTT4+16CFJ	←	
39	AIR FILTER	2	CWD001326	←	
40	FLEXIBLE PIPE	1	CWH851173	←	
41	REMOTE CONTROL COMPLETE	1	CWA75C4153	←	O
42	INSTALLATION PLATE	1	CWH361134	←	
43	BAG COMPLETE - INSTALLATION SCREW	1	CWH82C1705	←	
44	OPERATING INSTRUCTION	1	CWF568749	←	
45	INSTALLATION INSTRUCTION	1	CWF615521	←	
46	INSTALLATION INSTRUCTION	1	CWF615522	←	
47	INSTALLATION INSTRUCTION	1	CWF615523	←	
48	INSTALLATION INSTRUCTION	1	CWF615524	←	
49	INSTALLATION INSTRUCTION	1	CWF615525	←	
50	BAG	1	CWG861515	←	

REF. NO.	PART NAME & DESCRIPTION	QTY	CS-QE9NKE	CS-QE12NKE	REMARK
51	SHOCK ABSORBER (L)	1	CWG713484	←	
52	SHOCK ABSORBER (R)	1	CWG713485	←	
53	C.C.CASE	1	CWG568509	←	

(Note)

- All parts are supplied from PAPAMY, Malaysia (Vendor Code: 00029488).
- “O” marked parts are recommended to be kept in stock.

REF. NO.	PART NAME & DESCRIPTION	QTY	CS-WE9NKE	CS-WE12NKE	REMARK
1	CHASSY COMPLETE	1	CWD50C1731	←	
2	FAN MOTOR	1	ARW7666ACCB	←	O
3	CROSS-FLOW FAN COMPLETE	1	CWH02C1135	←	
4	BEARING ASS'Y	1	CWH64K1010	←	
5	GENERATOR COMPLETE	1	CWH94C0048	←	
6	EVAPORATOR COMPLETE	1	CWB30C3968	CWB30C3966	
7	FLARE NUT (LIQUID)	1	CWT251030	←	
8	FLARE NUT (GAS)	1	CWT251031	←	
9	HOLDER SENSOR	1	CWH32143	←	
9a	HOLDER SENSOR	1	CWH321085	←	
10	BACK COVER CHASSIS	1	CWD933463A	←	
11	DISCHARGE GRILLE COMPLETE	1	CWE20C3308	←	
12	VERTICAL VANE	8	CWE241389	←	
13	VERTICAL VANE	2	CWE241409	←	
14	CONNECTING BAR	2	CWE261272	←	
18	FULCRUM	1	CWH621139	←	
19	HORIZONTAL VANE COMPLETE	1	CWE24C1431	←	
20	HORIZONTAL VANE COMPLETE	1	CWE24C1421	←	
21	AIR SWING MOTOR	1	CWA981241	←	O
22	AIR SWING MOTOR	1	CWA981299	←	O
23	CAP - DRAIN TRAY	1	CWH521259	←	
24	SENSOR COMPLETE	1	CWA50C2663	←	
25	ELECTRONIC CONTROLLER - MAIN	1	CWA73C6848	CWA73C6849	O
26	ELECTRONIC CONTROLLER - HVU	1	N0GE1F000002	←	O
27	CONTROL BOARD CASING	1	CWH102456	←	
28	CONTROL BOARD TOP COVER	1	CWH131531	←	
29	CONTROL BOARD FRONT COVER CO.	1	CWH13C1286	←	
30	TERMINAL BOARD COMPLETE	1	CWA28C2364	←	
31	INDICATOR COMPLETE	1	CWE39C1231	←	
32	INDICATOR HOLDER	1	CWD933466	←	
33	FRONT GRILLE COMPLETE	1	CWE11C5435	←	O
34	GRILLE DOOR COMPLETE	1	CWE14C1102	←	
35	INTAKE GRILLE COMPLETE	1	CWE22K1611	←	O
36	DECORATION BASE ASS'Y (L)	1	CWE35K1145	←	
37	DECORATION BASE ASS'Y (R)	1	CWE35C1192	←	
38	SCREW - FRONT GRILLE	2	XTT4+16CFJ	←	
39	AIR FILTER	2	CWD001326	←	
40	FLEXIBLE PIPE	1	CWH851173	←	
41	REMOTE CONTROL COMPLETE	1	CWA75C4153	←	O
42	INSTALLATION PLATE	1	CWH361134	←	
43	BAG COMPLETE - INSTALLATION SCREW	1	CWH82C1705	←	
44	OPERATING INSTRUCTION	1	CWF568749	←	
45	INSTALLATION INSTRUCTION	1	CWF615521	←	
46	INSTALLATION INSTRUCTION	1	CWF615522	←	
47	INSTALLATION INSTRUCTION	1	CWF615523	←	
48	INSTALLATION INSTRUCTION	1	CWF615524	←	
49	INSTALLATION INSTRUCTION	1	CWF615525	←	
50	BAG	1	CWG861515	←	

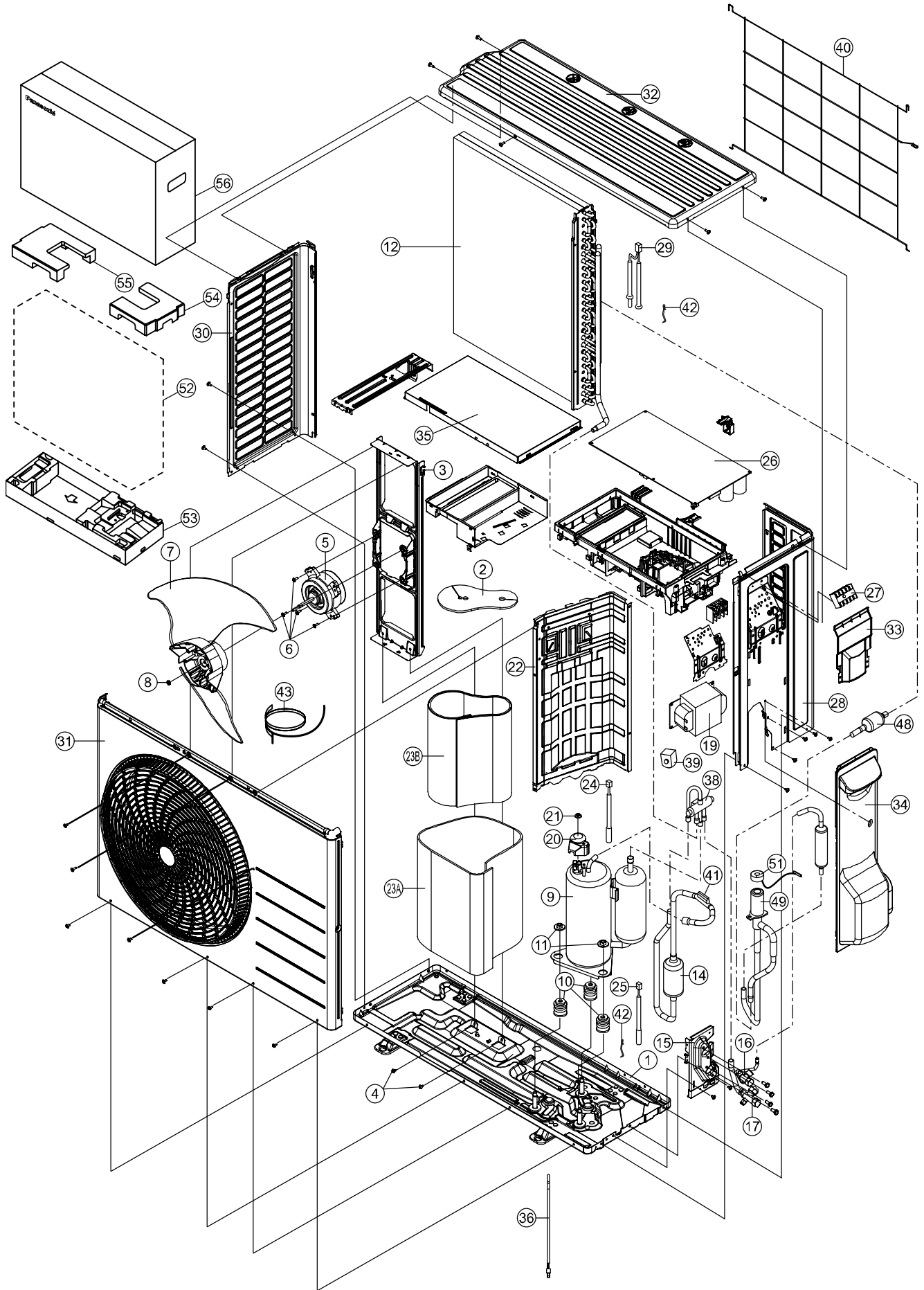


REF. NO.	PART NAME & DESCRIPTION	QTY	CS-WE9NKE	CS-WE12NKE	REMARK
51	SHOCK ABSORBER (L)	1	CWG713484	←	
52	SHOCK ABSORBER (R)	1	CWG713485	←	
53	C.C.CASE	1	CWG568509	←	

(Note)

- All parts are supplied from PAPAMY, Malaysia (Vendor Code: 00029488).
- “O” marked parts are recommended to be kept in stock.

## 18.2 Outdoor Unit



### Note

The above exploded view is for the purpose of parts disassembly and replacement. The non-numbered parts are not kept as standard service parts.

REF. NO.	PART NAME & DESCRIPTION	QTY	CU-NE9NKE	CU-NE12NKE	REMARK
1	CHASSIS ASSY	1	CWD52K1310	←	
2	SOUND PROOF MATERIAL	1	CWG302742	←	
3	FAN MOTOR BRACKET	1	CWD541167	←	
4	SCREW - FAN MOTOR BRACKET	2	CWH551217	←	
5	FAN MOTOR	1	ARS6411AC	←	O
6	SCREW - FAN MOTOR MOUNT	4	CWH55252J	←	
7	PROPELLER FAN ASSY	1	CWH03K1066	←	
8	NUT - PROPELLER FAN	1	CWH56053J	←	
9	COMPRESSOR	1	5RD132XBE21	←	O
10	ANTI - VIBRATION BUSHING	3	CWH50077	←	
11	NUT - COMPRESSOR MOUNT	3	CWH56000J	←	
12	CONDENSER	1	CWB32C3559	←	
14	DISCHARGE MUFFLER	1	CWB121010	←	
15	HOLDER COUPLING	1	CWH351233	←	
16	2-WAYS VALVE (LIQUID)	1	CWB021590	←	O
17	3-WAY VALVE (GAS)	1	CWB011374	←	O
19	REACTOR	1	GOC193J00004	←	
20	TERMINAL COVER	1	CWH171039A	←	
21	NUT - TERMINAL COVER	1	CWH7080300J	←	
22	SOUND PROOF BOARD	1	CWH151274	←	
23A	SOUND PROOF MATERIAL	1	CWG302741	←	
23B	SOUND PROOF MATERIAL	1	CWG302745	←	
24	SENSOR CO. - COMP TEMP	1	CWA50C2894	←	O
25	SENSOR CO. - DISCHARGE	1	CWA50C2656	←	O
26	ELECTRONIC CONTROLLER - MAIN	1	CWA73C6855R	CWA73C6856R	O
27	TERMINAL BOARD ASSY	1	CWA28K1036J	←	O
28	CABINET SIDE PLATE CO.	1	CWE04C1296	←	
29	SENSOR CO.- AIR AND PIPE TEMP	1	CWA50C2893	←	O
30	CABINET SIDE PLATE (L)	1	CWE041580A	←	
31	CABINET FRONT PLATE CO.	1	CWE06C1441	←	
32	CABINET TOP PLATE	1	CWE031148A	←	
33	PLATE - C.B.COVER	1	CWH131470A	←	
34	CONTROL BOARD COVER CO.	1	CWH13C1253	←	
35	CONTROL BOARD COVER	1	CWH131473	←	
36	CRANKCASE HEATER (BASE PAN)	1	CWA341072	←	
38	4-WAYS VALVE	1	CWB001037J	←	
39	V-COIL COMPLETE	1	CWA43C2431	←	
40	WIRE NET	1	CWD041166A	←	
41	HOLDER SENSOR	1	CWH32075	←	
42	HOLDER SENSOR	2	CWH32143	←	
43	CRANKCASE HEATER	1	CWA341044	←	
48	STRAINER	1	CWB11094	←	
49	EXPANSION VALVE	1	CWB051016J	←	
51	V-COIL COMPLETE	1	CWA43C2257	←	
52	BAG	1	CWG861078	←	
53	BASE BOARD - COMPLETE	1	CWG62C1162	←	
54	SHOCK ABSORBER (R)	1	CWG713415	←	
55	SHOCK ABSORBER (L)	1	CWG713416	←	

REF. NO.	PART NAME & DESCRIPTION	QTY	CU-NE9NKE	CU-NE12NKE	REMARK
56	C.C. CASE	1	CWG566848	←	

(Note)

- All parts are supplied from PAPAMY, Malaysia (Vendor Code: 00029488).
- "O" marked parts are recommended to be kept in stock.

REF. NO.	PART NAME & DESCRIPTION	QTY	CU-QE9NKE	CU-QE12NKE	REMARK
1	CHASSIS ASSY	1	CWD52K1310	←	
2	SOUND PROOF MATERIAL	1	CWG302742	←	
3	FAN MOTOR BRACKET	1	CWD541167	←	
4	SCREW - FAN MOTOR BRACKET	2	CWH551217	←	
5	FAN MOTOR	1	ARS6411AC	←	O
6	SCREW - FAN MOTOR MOUNT	4	CWH55252J	←	
7	PROPELLER FAN ASSY	1	CWH03K1066	←	
8	NUT - PROPELLER FAN	1	CWH56053J	←	
9	COMPRESSOR	1	5RD132XBE21	←	O
10	ANTI - VIBRATION BUSHING	3	CWH50077	←	
11	NUT - COMPRESSOR MOUNT	3	CWH56000J	←	
12	CONDENSER	1	CWB32C3559	←	
14	DISCHARGE MUFFLER	1	CWB121010	←	
15	HOLDER COUPLING	1	CWH351233	←	
16	2-WAYS VALVE (LIQUID)	1	CWB021590	←	O
17	3-WAY VALVE (GAS)	1	CWB011374	←	O
19	REACTOR	1	GOC193J00004	←	
20	TERMINAL COVER	1	CWH171039A	←	
21	NUT - TERMINAL COVER	1	CWH7080300J	←	
22	SOUND PROOF BOARD	1	CWH151274	←	
23A	SOUND PROOF MATERIAL	1	CWG302741	←	
23B	SOUND PROOF MATERIAL	1	CWG302745	←	
24	SENSOR CO. - COMP TEMP	1	CWA50C2894	←	O
25	SENSOR CO. - DISCHARGE	1	CWA50C2656	←	O
26	ELECTRONIC CONTROLLER - MAIN	1	CWA73C6857R	CWA73C6858R	O
27	TERMINAL BOARD ASSY	1	CWA28K1036J	←	O
28	CABINET SIDE PLATE CO.	1	CWE04C1296	←	
29	SENSOR CO.- AIR AND PIPE TEMP	1	CWA50C2893	←	O
30	CABINET SIDE PLATE (L)	1	CWE041580A	←	
31	CABINET FRONT PLATE CO.	1	CWE06C1441	←	
32	CABINET TOP PLATE	1	CWE031148A	←	
33	PLATE - C.B.COVER	1	CWH131470A	←	
34	CONTROL BOARD COVER CO.	1	CWH13C1253	←	
35	CONTROL BOARD COVER	1	CWH131473	←	
36	CRANKCASE HEATER (BASE PAN)	1	CWA341072	←	
38	4-WAYS VALVE	1	CWB001037J	←	
39	V-COIL COMPLETE	1	CWA43C2431	←	
40	WIRE NET	1	CWD041166A	←	
41	HOLDER SENSOR	1	CWH32075	←	
42	HOLDER SENSOR	2	CWH32143	←	
43	CRANKCASE HEATER	1	CWA341044	←	
48	STRAINER	1	CWB11094	←	
49	EXPANSION VALVE	1	CWB051016J	←	
51	V-COIL COMPLETE	1	CWA43C2257	←	
52	BAG	1	CWG861078	←	
53	BASE BOARD - COMPLETE	1	CWG62C1162	←	
54	SHOCK ABSORBER (R)	1	CWG713415	←	
55	SHOCK ABSORBER (L)	1	CWG713416	←	

REF. NO.	PART NAME & DESCRIPTION	QTY	CU-QE9NKE	CU-QE12NKE	REMARK
56	C.C. CASE	1	CWG566848	←	

(Note)

- All parts are supplied from PAPAMY, Malaysia (Vendor Code: 00029488).
- "O" marked parts are recommended to be kept in stock.