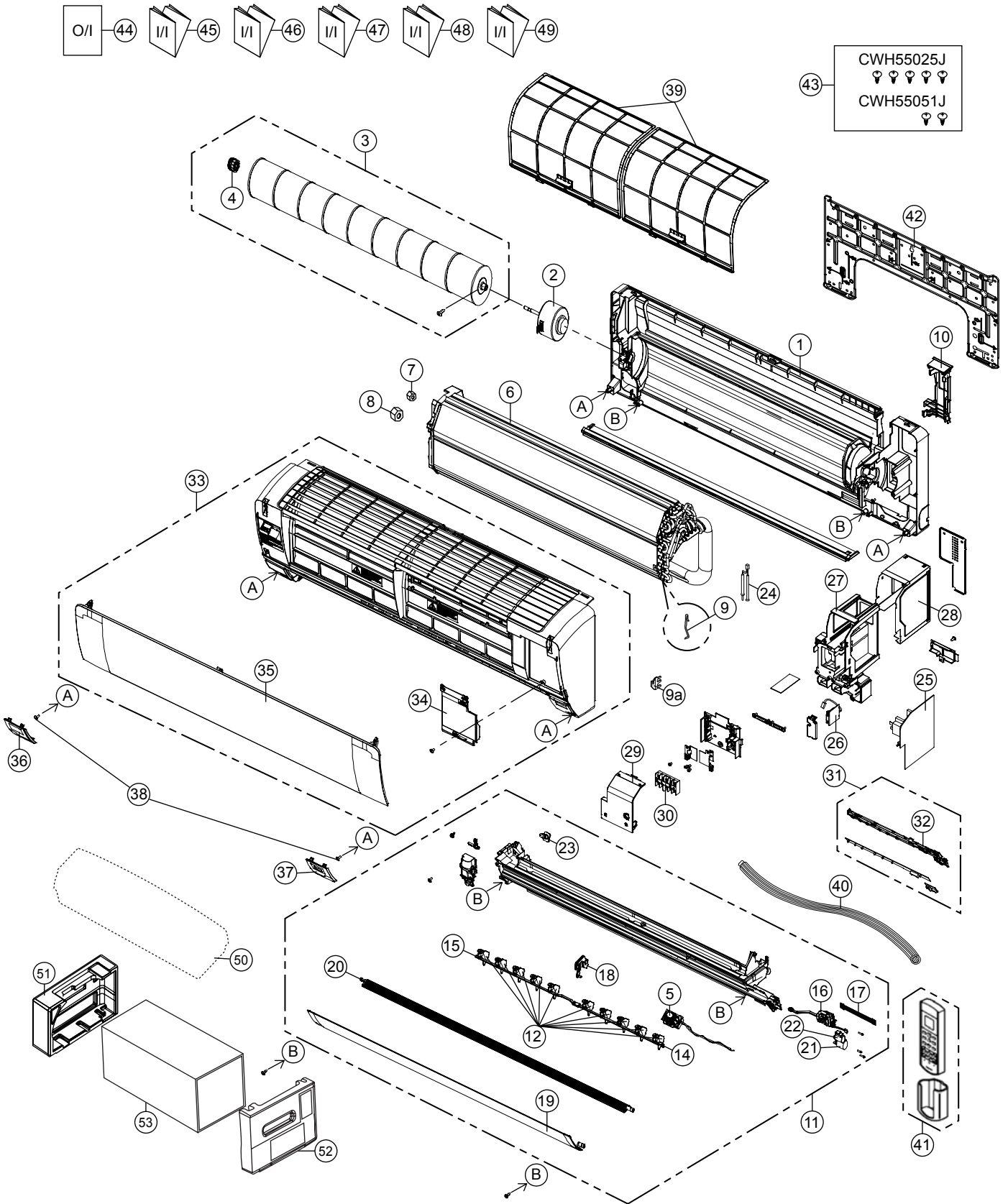


18. Exploded View and Replacement Parts List

18.1 Indoor Unit



Note
 The above exploded view is for the purpose of parts disassembly and replacement.
 The non-numbered parts are not kept as standard service parts.

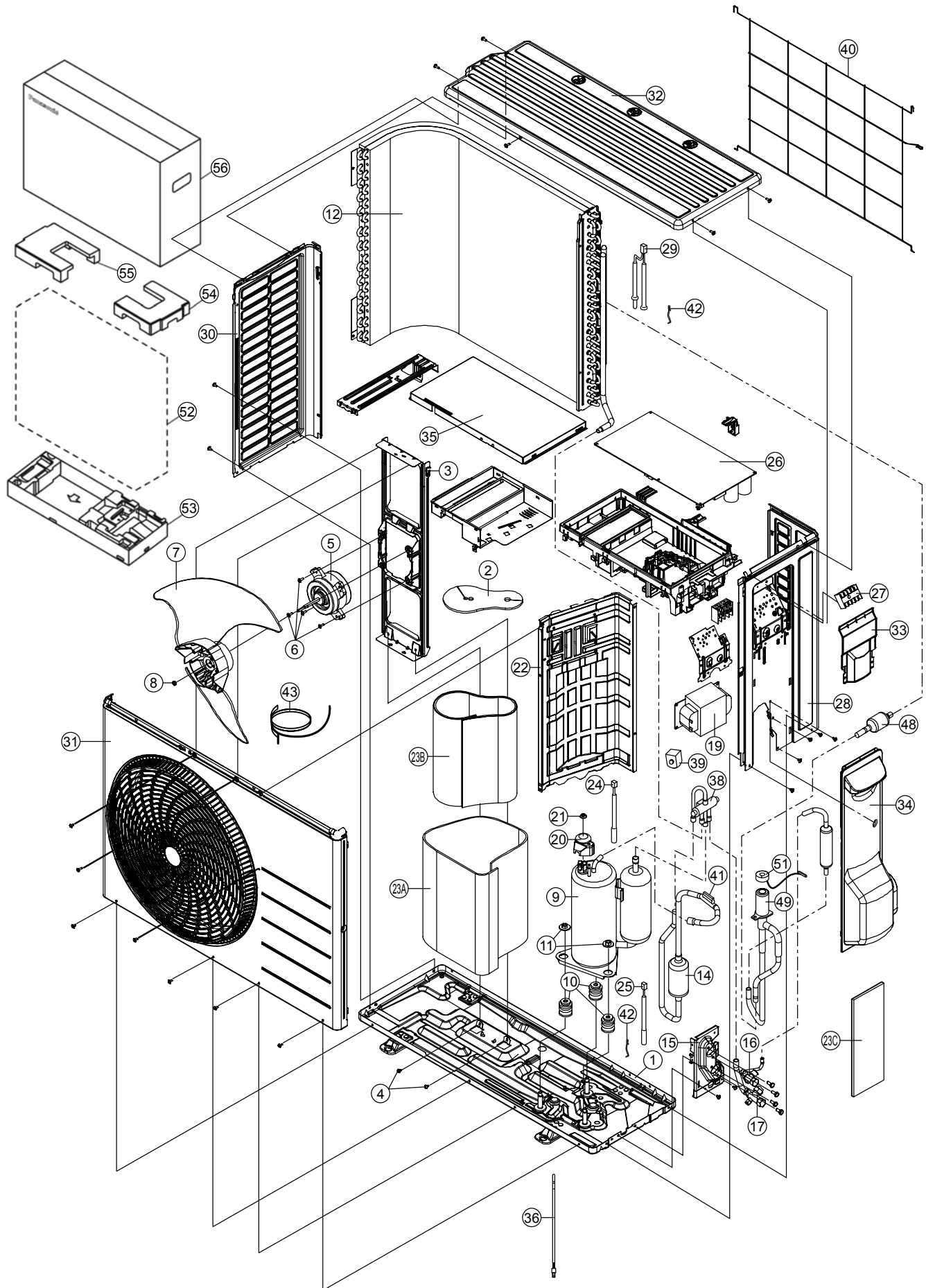
REF. NO.	PART NAME & DESCRIPTION	QTY	CS-HE9NKE	CS-AE9NKE	CS-HE12NKE	REMARK
1	CHASSY COMPLETE	1	CWD50C1730	←	←	
2	FAN MOTOR	1	ARW7666ACCB	←	←	O
3	CROSS-FLOW FAN COMPLETE	1	CWH02C1135	←	←	
4	BEARING ASS'Y	1	CWH64K1010	←	←	
5	GENERATOR COMPLETE	1	CWH94C0048	←	←	
6	EVAPORATOR COMPLETE	1	CWB30C3965	←	←	
7	FLARE NUT (LIQUID)	1	CWT251030	←	←	
8	FLARE NUT (GAS)	1	CWT251031	←	←	
9	HOLDER SENSOR	1	CWH32143	←	←	
9a	HOLDER SENSOR	1	CWH32142	←	←	
10	BACK COVER CHASSIS	1	CWD933463	←	←	
11	DISCHARGE GRILLE COMPLETE	1	CWE20C3305	←	←	
12	VERTICAL VANE	10	CWE241389	←	←	
14	CONNECTING BAR	1	CWE261261	←	←	
15	CONNECTING BAR	1	CWE261262	←	←	
16	AIR SWING MOTOR	1	CWA98K1019	←	←	
17	LEAD WIRE FOR AIR SWING MOTOR	1	CWA67C8222	←	←	
18	FULCRUM	1	CWH621139	←	←	
19	HORIZONTAL VANE COMPLETE	1	CWE24C1420	←	←	
20	HORIZONTAL VANE COMPLETE	1	CWE24C1421	←	←	
21	AIR SWING MOTOR	1	CWA981241	←	←	O
22	AIR SWING MOTOR	1	CWA981299	←	←	O
23	CAP - DRAIN TRAY	1	CWH521259	←	←	
24	SENSOR COMPLETE	1	CWA50C2401	←	←	
25	ELECTRONIC CONTROLLER - MAIN	1	CWA73C6842	CWA73C6850	CWA73C6843	O
26	ELECTRONIC CONTROLLER - HVU	1	N0GE1F000002	←	←	O
27	CONTROL BOARD CASING	1	CWH102456	←	←	
28	CONTROL BOARD TOP COVER	1	CWH131531	←	←	
29	CONTROL BOARD FRONT COVER CO.	1	CWH13C1286	←	←	
30	TERMINAL BOARD COMPLETE	1	CWA28C2364	←	←	
31	INDICATOR COMPLETE	1	CWE39C1231	←	←	
32	INDICATOR HOLDER	1	CWD933466	←	←	
33	FRONT GRILLE COMPLETE	1	CWE11C5432	CWE11C5457	CWE11C5432	O
34	GRILLE DOOR COMPLETE	1	CWE14C1099	←	←	
35	INTAKE GRILLE COMPLETE	1	CWE22K1605	←	←	O
36	DECORATION BASE ASS'Y (L)	1	CWE35K1135	←	←	
37	DECORATION BASE ASS'Y (R)	1	CWE35C1182	←	←	
38	SCREW - FRONT GRILLE	2	XTT4+16CFJ	←	←	
39	AIR FILTER	2	CWD001326	←	←	
40	FLEXIBLE PIPE	1	CWH851173	←	←	
41	REMOTE CONTROL COMPLETE	1	CWA75C4073	←	←	O
42	INSTALLATION PLATE	1	CWH361134	←	←	
43	BAG COMPLETE - INSTALLATION SCREW	1	CWH82C1705	←	←	
44	OPERATING INSTRUCTION	1	CWF568747	←	←	
45	INSTALLATION INSTRUCTION	1	CWF615521	←	←	
46	INSTALLATION INSTRUCTION	1	CWF615522	←	←	
47	INSTALLATION INSTRUCTION	1	CWF615523	←	←	
48	INSTALLATION INSTRUCTION	1	CWF615524	←	←	
49	INSTALLATION INSTRUCTION	1	CWF615525	←	←	

REF. NO.	PART NAME & DESCRIPTION	QTY	CS-HE9NKE	CS-AE9NKE	CS-HE12NKE	REMARK
50	BAG	1	CWG861515	←	←	
51	SHOCK ABSORBER (L)	1	CWG713484	←	←	
52	SHOCK ABSORBER (R)	1	CWG713485	←	←	
53	C.C.CASE	1	CWG568509	←	←	

(Note)

- All parts are supplied from PAPAMY, Malaysia (Vendor Code: 00029488).
- "O" marked parts are recommended to be kept in stock.

18.2 Outdoor Unit



Note
The above exploded view is for the purpose of parts disassembly and replacement.
The non-numbered parts are not kept as standard service parts.

REF. NO.	PART NAME & DESCRIPTION	QTY	CU-HE9NKE	CU-AE9NKE	CU-HE12NKE	REMARK
1	CHASSIS ASSY	1	CWD52K1310	←	←	
2	SOUND PROOF MATERIAL	1	CWG302742	←	←	
3	FAN MOTOR BRACKET	1	CWD541167	←	←	
4	SCREW - FAN MOTOR BRACKET	2	CWH551217	←	←	
5	FAN MOTOR	1	ARS6411AC	←	←	O
6	SCREW - FAN MOTOR MOUNT	4	CWH55252J	←	←	
7	PROPELLER FAN ASSY	1	CWH03K1066	←	←	
8	NUT - PROPELLER FAN	1	CWH56053J	←	←	
9	COMPRESSOR	1	5RD132XBE21	←	←	O
10	ANTI - VIBRATION BUSHING	3	CWH50077	←	←	
11	NUT - COMPRESSOR MOUNT	3	CWH56000J	←	←	
12	CONDENSER	1	CWB32C3547	←	←	
14	DISCHARGE MUFFLER	1	CWB121010	←	←	
15	HOLDER COUPLING	1	CWH351233	←	←	
16	2-WAYS VALVE (LIQUID)	1	CWB021589	←	←	O
17	3-WAY VALVE (GAS)	1	CWB011374	←	←	O
19	REACTOR	1	G0C193J00004	←	←	
20	TERMINAL COVER	1	CWH171039A	←	←	
21	NUT - TERMINAL COVER	1	CWH7080300J	←	←	
22	SOUND PROOF BOARD	1	CWH151273	←	←	
23A	SOUND PROOF MATERIAL	1	CWG302741	←	←	
23B	SOUND PROOF MATERIAL	1	CWG302745	←	←	
23C	SOUND PROOF MATERIAL	1	CWG302740	←	←	
24	SENSOR CO. - COMP TEMP	1	CWA50C2894	←	←	O
25	SENSOR CO. - DISCHARGE	1	CWA50C2656	←	←	O
26	ELECTRONIC CONTROLLER - MAIN	1	CWA73C6851R	CWA73C6859R	CWA73C6852R	O
27	TERMINAL BOARD ASSY	1	CWA28K1036J	←	←	O
28	CABINET SIDE PLATE CO.	1	CWE04C1411	←	←	
29	SENSOR CO.- AIR AND PIPE TEMP	1	CWA50C2893	←	←	O
30	CABINET SIDE PLATE (L)	1	CWE041579A	←	←	
31	CABINET FRONT PLATE CO.	1	CWE06C1441	←	←	
32	CABINET TOP PLATE	1	CWE031148A	←	←	
33	PLATE - C.B.COVER	1	CWH131470A	←	←	
34	CONTROL BOARD COVER CO.	1	CWH13C1253	←	←	
35	CONTROL BOARD COVER	1	CWH131473	←	←	
36	CRANKCASE HEATER (BASE PAN)	1	CWA341072	←	←	
38	4-WAYS VALVE	1	CWB001037J	←	←	
39	V-COIL COMPLETE	1	CWA43C2431	←	←	
40	WIRE NET	1	CWD041166A	←	←	
41	HOLDER SENSOR	1	CWH32075	←	←	
42	HOLDER SENSOR	2	CWH32143	←	←	
43	CRANKCASE HEATER	1	CWA341044	←	←	
48	STRAINER	1	CWB11094	←	←	
49	EXPANSION VALVE	1	CWB051016J	←	←	
51	V-COIL COMPLETE	1	CWA43C2257	←	←	
52	BAG	1	CWG861078	←	←	
53	BASE BOARD - COMPLETE	1	CWG62C1162	←	←	
54	SHOCK ABSORBER (R)	1	CWG713415	←	←	
55	SHOCK ABSORBER (L)	1	CWG713416	←	←	

REF. NO.	PART NAME & DESCRIPTION	QTY	CU-HE9NKE	CU-AE9NKE	CU-HE12NKE	REMARK
56	C.C. CASE	1	CWG566848	←	←	

(Note)

- All parts are supplied from PAPAMY, Malaysia (Vendor Code: 00029488).
- "O" marked parts are recommended to be kept in stock.