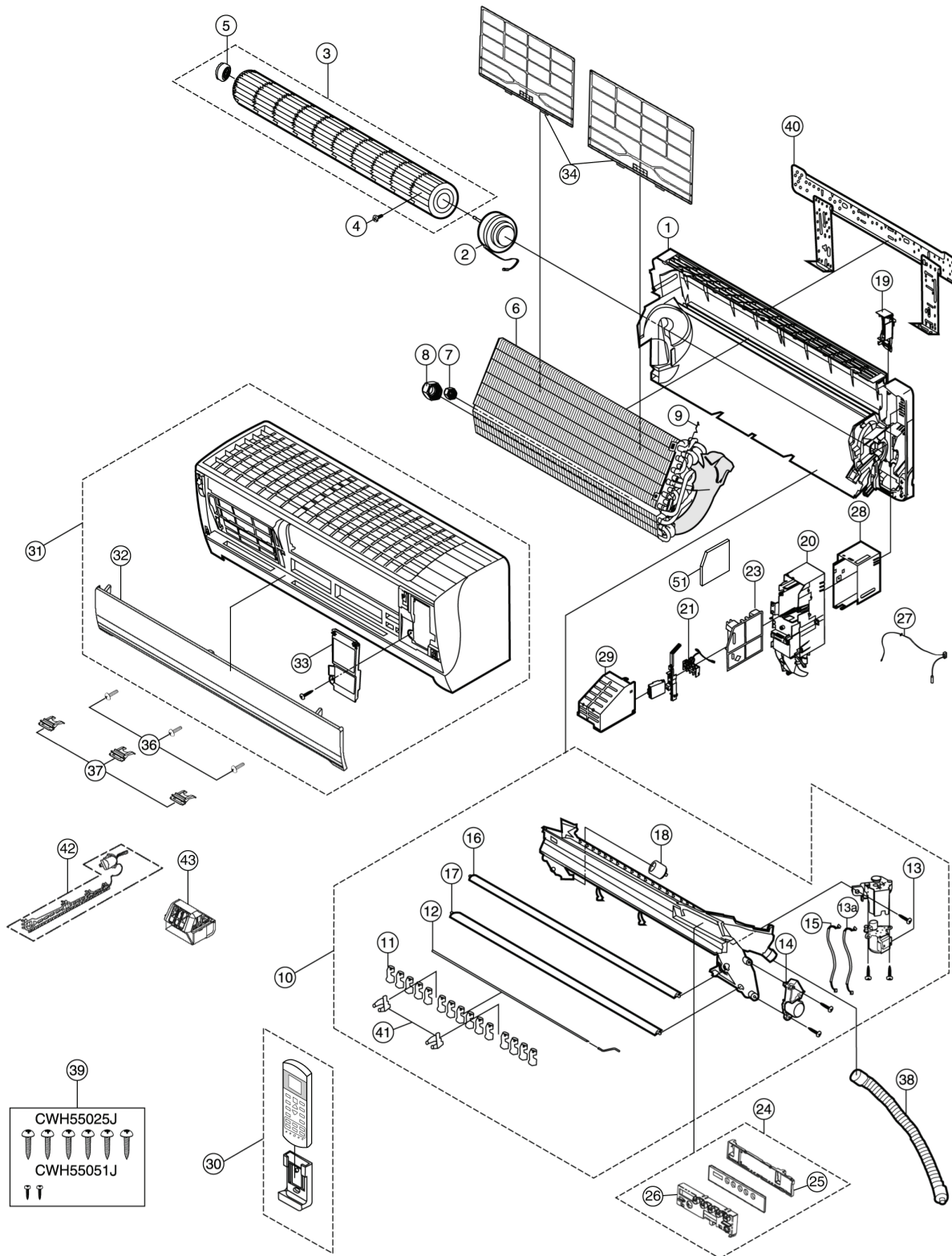


18 Exploded View and Replacement Parts List

18.1. CS-E24GKES CS-E28GKE



Note:
 The above exploded view is for the purpose of parts disassembly and replacement.
 The non-numbered parts are not kept as standard service parts.

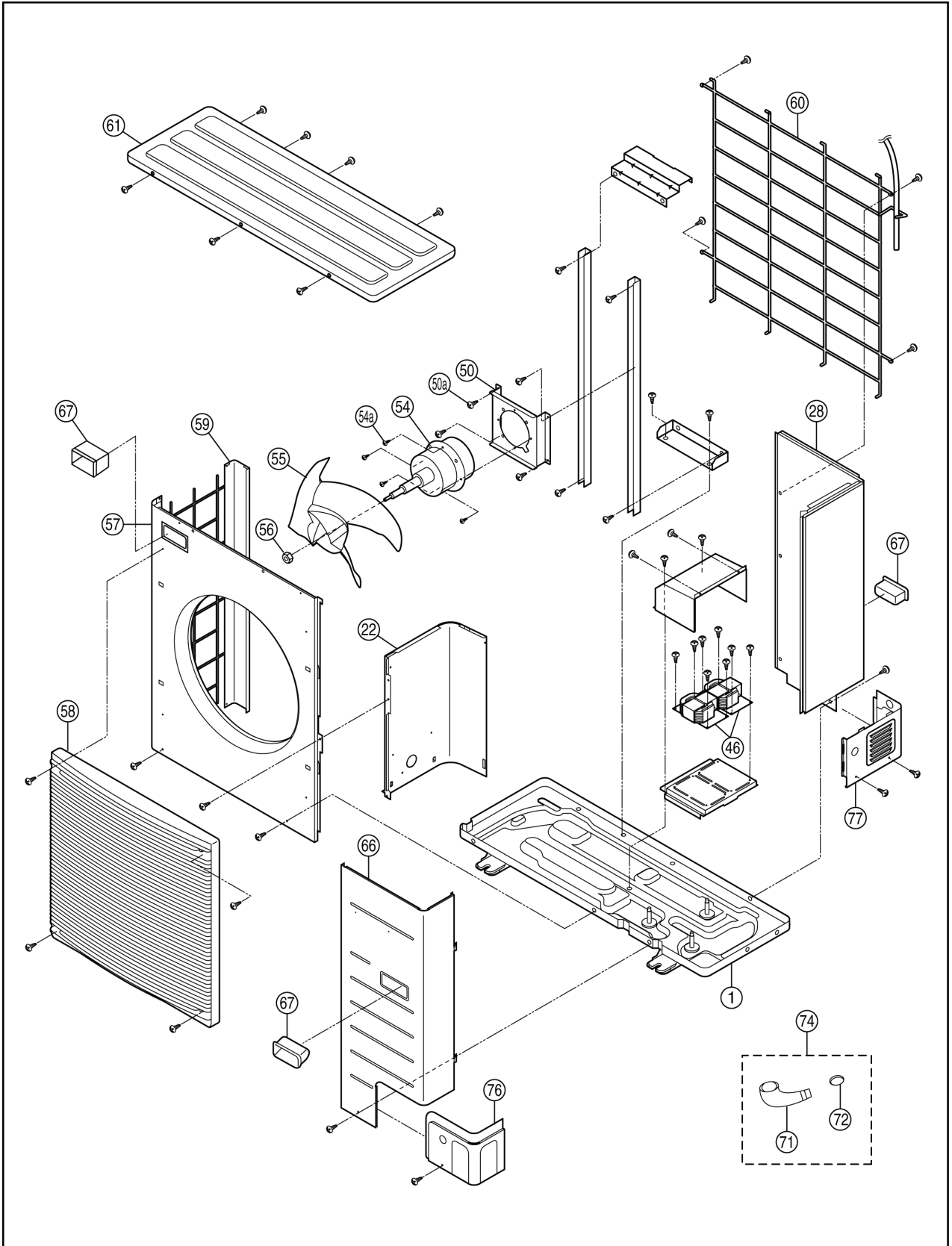
<Model: CS-E24GKES, CS-E28GKE>

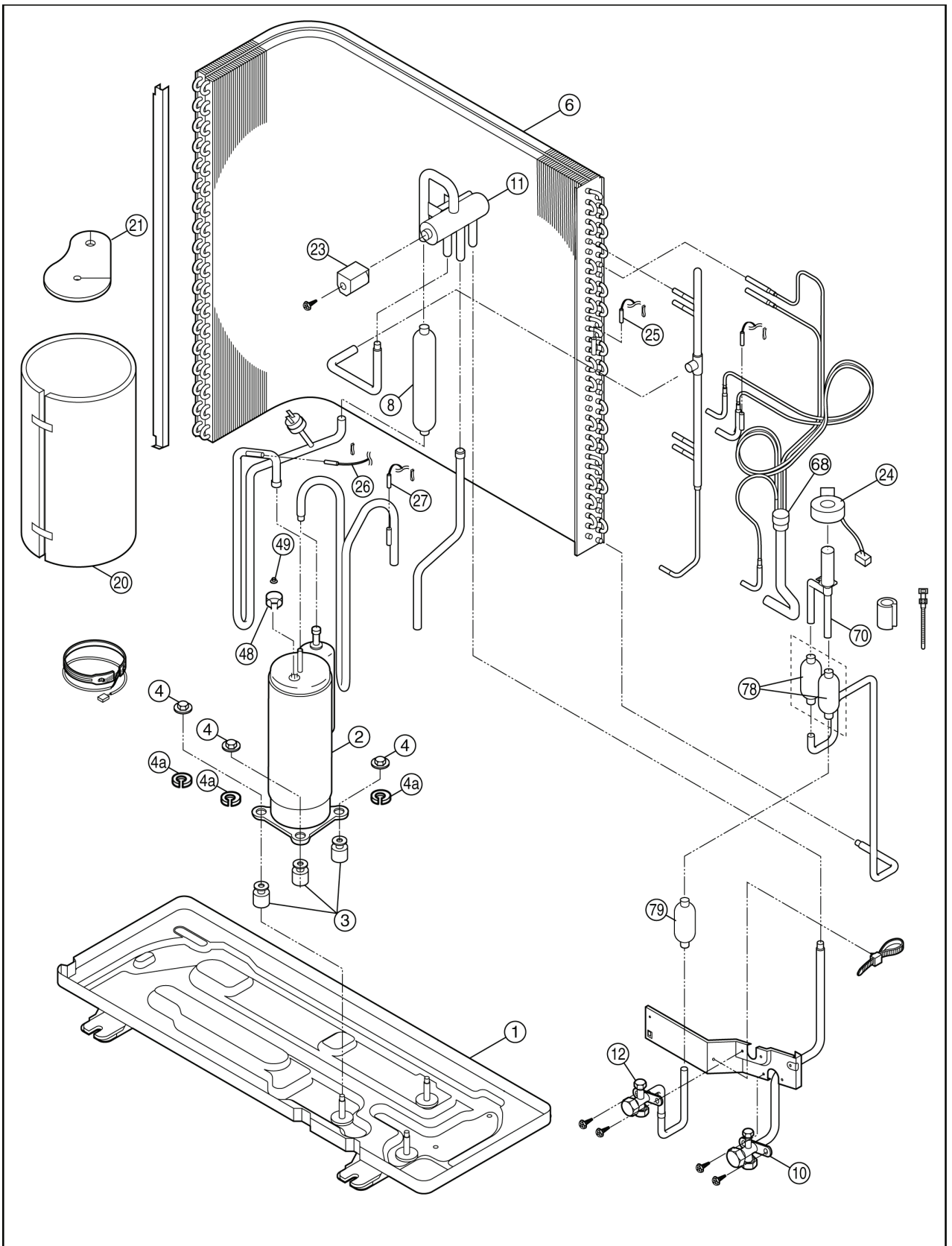
REF NO.	PART NAME & DESCRIPTION	QTY.	CS-E24GKES	CS-E28GKE	REMARKS
1	CHASSY COMPLETE	1	CWD50C1520	←	
2	FAN MOTOR	1	ARW51H8P30AC	←	O
3	CROSS FLOW FAN COMPLETE	1	CWH02C1010	←	
4	SCREW - CROSS FLOW FAN	1	CWH551146	←	
5	BEARING ASS'Y	1	CWH64K007	←	
6	EVAPORATOR	1	CWB30C1678	←	
7	FLARE NUT	1	CWT251030 (1/4")	←	
8	FLARE NUT	1	CWT251033 (5/8")	←	
9	HOLDER SENSOR	1	CWH32143	←	
10	DISCHARGE GRILLE COMPLETE	1	CWE20C2685	←	
11	VERTICAL VANE	15	CWE241088	←	
12	CONNECTING BAR	1	CWE261025	←	
13	AIR SWING MOTOR	1	CWA98260+MJ	←	O
13a	LEAD WIRE - AIR SWING MOTOR	1	CWA67C3849	←	
14	AIR SWING MOTOR	1	CWA98K1008	←	O
15	LEAD WIRE - AIR SWING MOTOR	1	CWA67C4445	←	
16	HORIZONTAL VANE	1	CWE241228	←	
17	HORIZONTAL VANE	1	CWE241229	←	
18	CAP - DRAIN TRAY	1	CWH521096	←	
19	BACK COVER CHASSIS	1	CWD932162B	←	
20	CONTROL BOARD CASING	1	CWH102334	←	
21	TERMINAL BOARD COMPLETE	1	CWA28C2305	←	O
23	ELECTRONIC CONTROLLER - MAIN	1	CWA73C2538	CWA73C2539	O
24	INDICATOR COMPLETE	1	CWE39C1174	←	O
25	INDICATOR HOLDER	1	CWD932818	←	
26	INDICATOR HOLDER	1	CWD932817	←	
27	SENSOR COMPLETE	1	CWA50C2122	←	O
28	CONTROL BOARD TOP COVER	1	CWH131209	←	
29	CONTROL BOARD FRONT COVER	1	CWH131210	←	
30	REMOTE CONTROL COMPLETE	1	CWA75C3008	←	O
31	FRONT GRILLE COMPLETE	1	CWE11C3695	←	O
32	INTAKE GRILLE COMPLETE	1	CWE22C1361	←	O
33	GRILLE DOOR	1	CWE141076	←	
34	E-ION FILTER	2	CWD00K1002	←	
36	SCREW - FRONT GRILLE	3	XTT4+16CFJ	←	
37	CAP - FRONT GRILLE	3	CWH521062A	←	
38	DRAIN HOSE	1	CWH851063	←	
39	BAG COMPLETE - INSTALLATION SCREW	1	CWH82C067	←	
40	INSTALLATION PLATE	1	CWH36K1007	←	
41	FULCRUM	2	CWH621073	←	
42	E-ION AIR PURIFYING SYSTEM	1	CWH14C5600	←	
43	ION-GENERATOR	1	CWH94C0014	←	
51	ELECTRONIC CONTROLLER - POWER	1	CWA744805	←	O

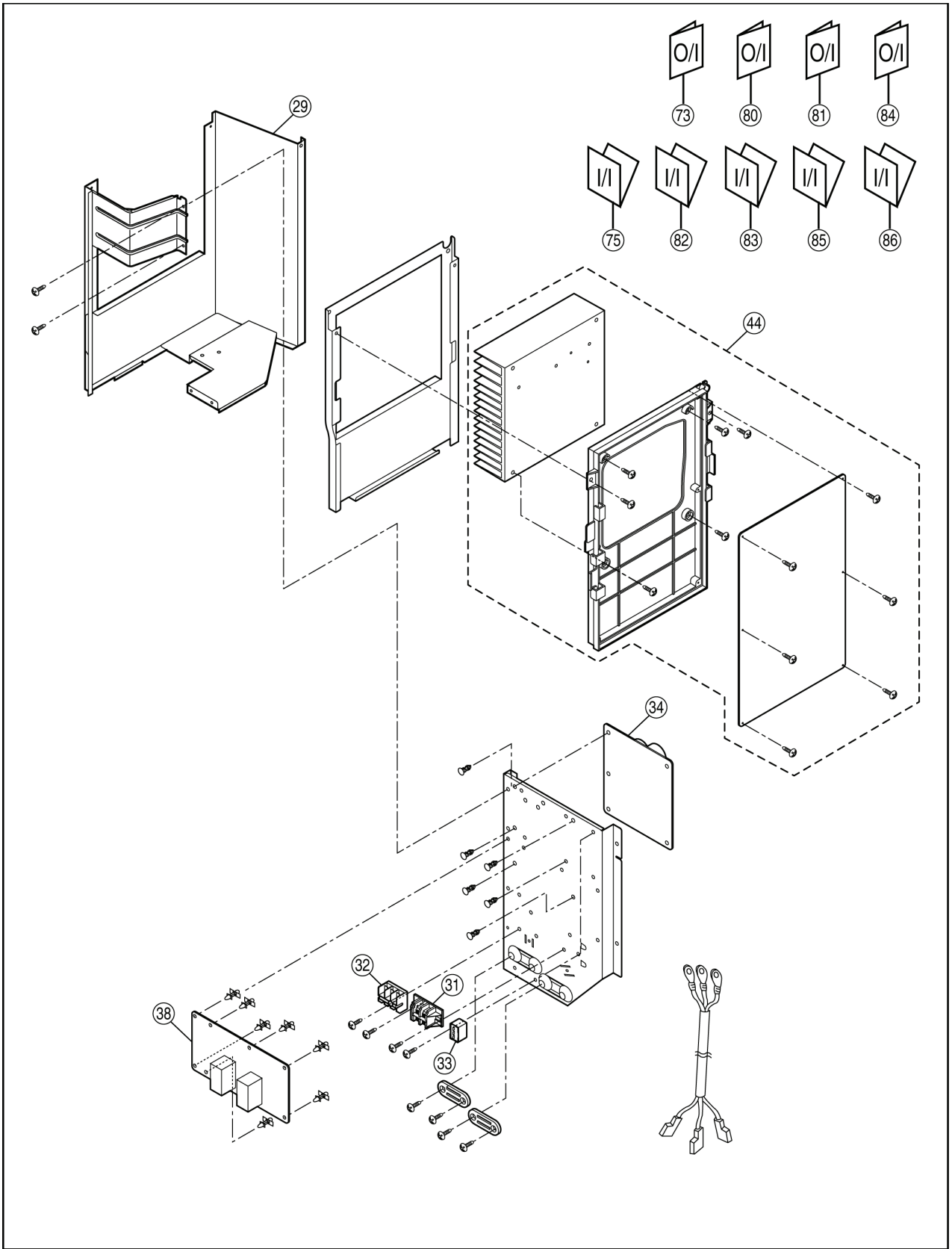
(Note)

- All parts are supplied from PHAAM, Malaysia (Vendor Code: 061).
- "O" marked parts are recommended to be kept in stock.

18.2. CU-E24GKE CU-E28GKE







Note:
 The above exploded view is for the purpose of parts disassembly and replacement.
 The non-numbered parts are not kept as standard service parts.

<Model: CU-E24GKE, CU-E28GKE>

REF. NO.	DESCRIPTION & NAME	QTY.	CU-E24GKE	CU-E28GKE	REMARKS
1	BASE PAN ASS'Y	1	CWD52K1098	←	
2	COMPRESSOR	1	5KD240XAA21	←	O
3	ANTI-VIBRATION BUSHING	3	CWH50055	←	
4	NUT FOR COMP. MOUNT.	3	CWH561049	←	
4a	PACKING	3	CWB811017	←	
6	CONDENSER COMPLETE	1	CWB32C1995	CWB32C1997	
8	DISCHARGE MUFFLER	1	CWB121013	←	
10	3-WAYS VALVE (GAS)	1	CWB011251	←	
11	4-WAYS VALVE	1	CWB001026J	←	
12	2-WAYS VALVE (LIQUID)	1	CWB021330	←	
20	SOUND PROOF MATERIAL-COMP	1	CWG302245	←	
21	SOUND PROOF MATERIAL	1	CWG302246	←	
22	SOUND-PROOF BOARD ASS'Y	1	CWH151075	←	
23	V-COIL COMPLETE	1	CWA43C2169J	←	O
24	V-COIL COMPLETE	1	CWA43C2058J	CWA43C2128J	O
25	SENSOR-OD TEMP./COIL	1	CWA50C2381	←	
26	SENSOR-COMP.DISCHARGE	1	CWA50C2214	←	
27	SENSOR-COMP.SUCT/DEFROST	1	CWA50C2185	←	
28	CABINET REAR PLATE	1	CWE02C1037	←	
29	CONTROL BOARD CASING	1	CWH10K1046	←	
31	TERMINAL BOARD ASS'Y	1	CWA28K1107	←	
32	TERMINAL BOARD ASS'Y	1	CWA28K1076J	←	
33	CAPACITOR-FAN MOTOR	1	DS441355NPQA	←	O
34	ELECTRONIC CONTROLLER (P. SUPPLY)	1	CWA743402	CWA744289	O
38	ELECTRONIC CONTROLLER (NOISE FILTER)	1	CWA744495	←	O
44	ELECTRONIC CONTROLLER (MAIN)	1	CWA73C2723R	CWA73C2724R	O
46	REACTOR	2	CWA421066	G0C423J00001	
48	TERMINAL COVER	1	CWH171039A	←	
49	NUT FOR TERMINAL COVER	1	CWH7080300J	←	
50	BRACKET FAN MOTOR	1	CWD54K1034	←	
50a	SCREW - BRACKET FAN MOTOR	2	CWH551040J	←	
54	FAN MOTOR	1	CWA951510	←	O
54a	SCREW-FAN MOTOR	4	CWH551040J	←	
55	PROPELLER FAN	1	CWH001019	←	
56	NUT for PROPELLER FAN	1	CWH561038J	←	
57	CABINET FRONT PLATE	1	CWE061118A	←	
58	DISCHARGE GRILLE	1	CWE201073	←	
59	CABINET SIDE PLATE	1	CWE04K1019A	←	
60	WIRE NET	1	CWD041102A	←	
61	CABINET TOP PLATE COMPLETE	1	CWE03C1040	←	
66	CABINET FRONT PLATE COMPLETE	1	CWE06C1086	←	
67	HANDLE	3	CWE161008	←	
68	TUBE ASS'Y (CAPILLARY TUBE)	1	CWT07K1350	CWT07K1334	
70	EXPANSION VALVE	1	CWB051016J	CWB051018J	
71	DRAIN HOSE	1	CWH5850080	←	
72	PACKING - L. TUBE	1	CWB811010	←	
73	OPERATION INSTRUCTION	1	CWF565560	←	
74	BAG-COMPLETE (DRAIN ELBOW)	1	CWG87C2030	←	
75	INSTALLATION INSTRUCTION	1	CWF613120	←	
76	PIPE COVER (FRONT)	1	CWD601074A	←	
77	PIPE COVER (BACK)	1	CWD601075A	←	
78	STRAINER	2	CWB111032	←	
79	RECEIVER	1	CWB14030	CWB14017	

REF. NO.	DESCRIPTION & NAME	QTY.	CU-E24GKE	CU-E28GKE	REMARKS
80	OPERATION INSTRUCTION	1	CWF565561	←	
81	OPERATION INSTRUCTION	1	CWF565564	←	
82	INSTALLATION INSTRUCTION	1	CWF613121	←	
83	INSTALLATION INSTRUCTION	1	CWF613122	←	
84	OPERATION INSTRUCTION	1	—	CWF565581	
85	INSTALLATION INSTRUCTION	1	—	CWF613123	
86	INSTALLATION INSTRUCTION	1	—	CWF613133	

(Note)

- All parts are supplied from PHAAM, Malaysia (Vendor Code: 061).
- “O” marked parts are recommended to be kept in stock.