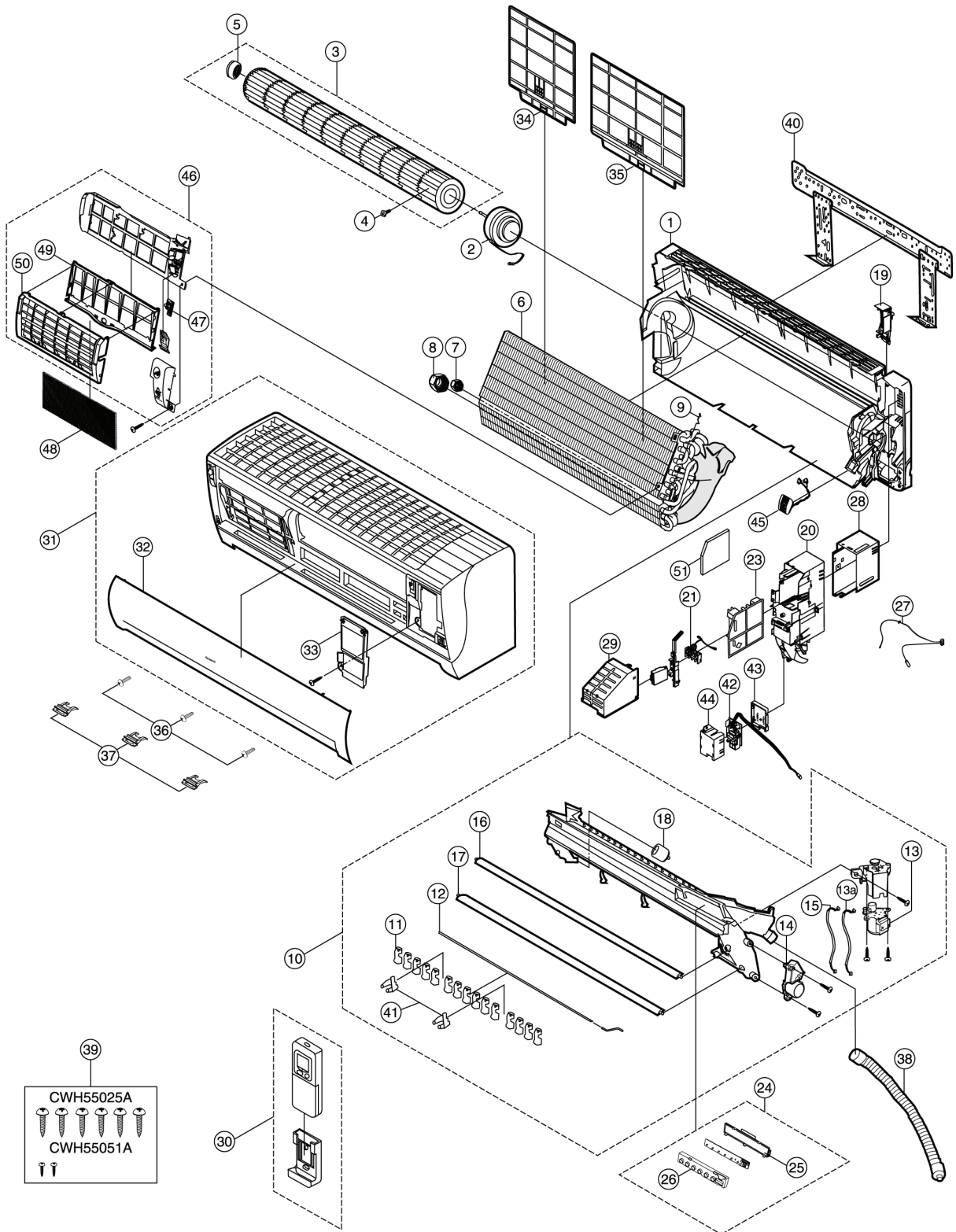


17 Exploded View and Replacement Parts List

17.1. CS-E24EKES CS-E28EKE



Note:
 The above exploded view is for the purpose of parts disassembly and replacement.
 The non-numbered parts are not kept as standard service parts.

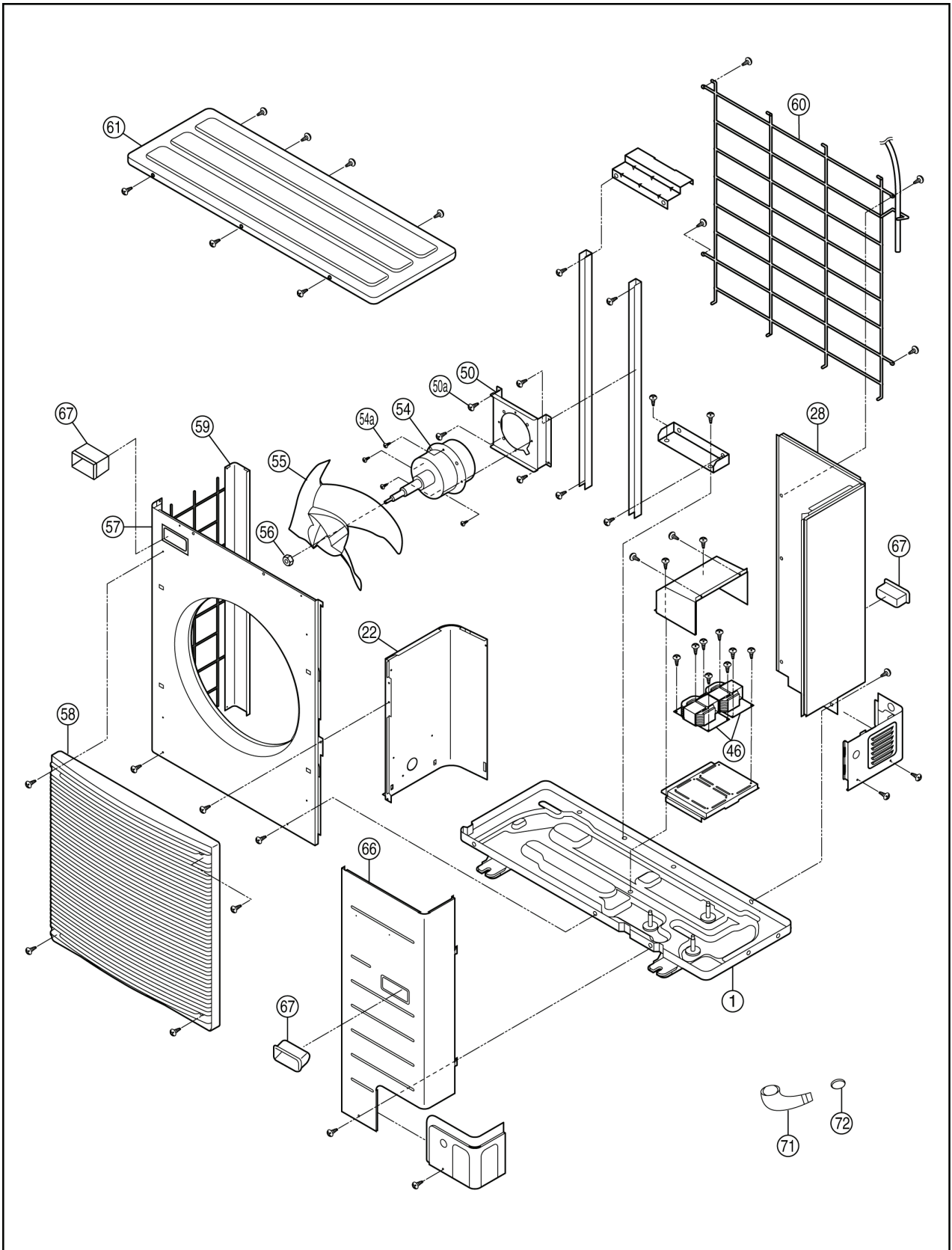
<Model: CS-E24EKES, CS-E28EKE>

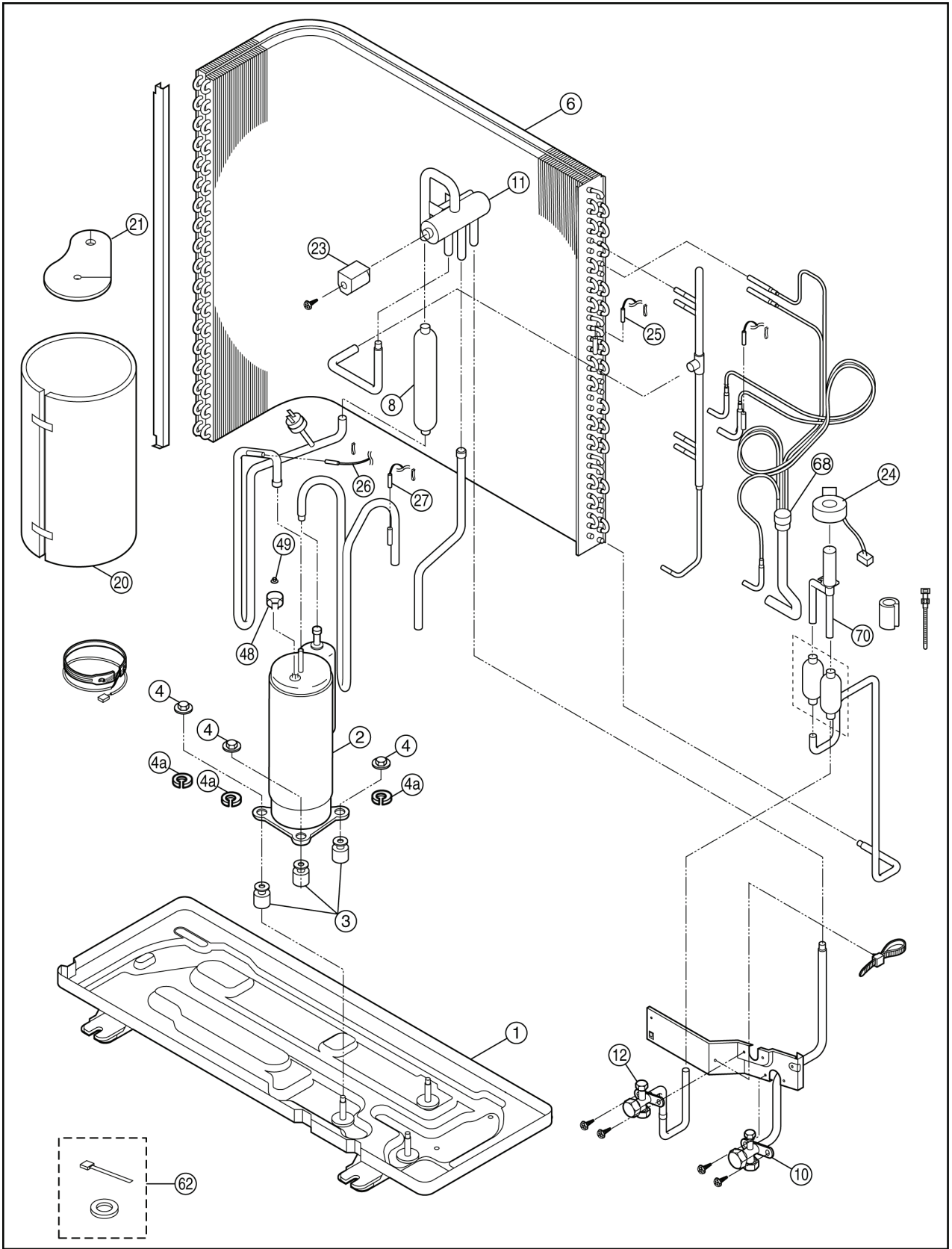
REF NO.	PART NAME & DESCRIPTION	QTY.	CS-E24EKES	CS-E28EKE	REMARKS
1	CHASSY COMPLETE	1	CWD50C1382	←	
2	FAN MOTOR	1	CWA981149J	←	O
3	CROSS FLOW FAN COMPLETE	1	CWH02C1010	←	
4	SCREW - CROSS FLOW FAN	1	CWH551146	←	
5	BEARING ASS'Y	1	CWH64K007	←	
6	EVAPORATOR	1	CWB30C1678	←	
7	FLARE NUT	1	CWT251030 (1/4")	←	
8	FLARE NUT	1	CWT251033 (5/8")	←	
9	HOLDER SENSOR	1	CWH32143	←	
10	DISCHARGE GRILLE COMPLETE	1	CWE20C2441	←	
11	VERTICAL VANE	15	CWE241088	←	
12	CONNECTING BAR	1	CWE261025	←	
13	AIR SWING MOTOR	1	CWA98260+MJ	←	O
13a	LEAD WIRE - AIR SWING MOTOR	1	CWA67C3849	CWA67C3731	
14	AIR SWING MOTOR	1	CWA98K1008	←	O
15	LEAD WIRE - AIR SWING MOTOR	1	CWA67C3731	←	
16	HORIZONTAL VANE	1	CWE241152A	←	
17	HORIZONTAL VANE	1	CWE241153A	←	
18	CAP - DRAIN TRAY	1	CWH52C1001	←	
19	BACK COVER CHASSIS	1	CWD932162B	←	
20	CONTROL BOARD CASING	1	CWH102291	←	
21	TERMINAL BOARD COMPLETE	1	CWA28C2128J	←	O
23	ELECTRONIC CONTROLLER - MAIN	1	CWA73C2251	CWA73C2019	O
24	INDICATOR COMPLETE	1	CWE39C1116	←	O
25	INDICATOR HOLDER	1	CWD932435	←	
26	INDICATOR HOLDER	1	CWD932436	←	
27	SENSOR COMPLETE	1	CWA50C2122	←	O
28	CONTROL BOARD TOP COVER	1	CWH131209	←	
29	CONTROL BOARD FRONT COVER	1	CWH131210	←	
30	REMOTE CONTROL COMPLETE	1	CWA75C2807	←	O
31	FRONT GRILLE COMPLETE	1	CWE11C3357	←	O
32	INTAKE GRILLE COMPLETE	1	CWE22C1159	←	O
33	GRILLE DOOR	1	CWE141076	←	
34	AIR FILTER (L)	1	CWD001137	←	
35	AIR FILTER (R)	1	CWD001138	←	
36	SCREW - FRONT GRILLE	3	XTT4+16CFJ	←	
37	CAP - FRONT GRILLE	3	CWH521062A	←	
38	DRAIN HOSE	1	CWH851063	←	
39	BAG COMPLETE - INSTALLATION SCREW	1	CWH82C067	←	
40	INSTALLATION PLATE	1	CWH36K1007	←	
41	FULCRUM	2	CWH621047	←	
42	ELECTRONIC CONTROLLER - IONIZER	1	CWA743675	←	O
43	CASING - IONIZER	1	CWD932464	←	
44	CASING - IONIZER	1	CWD932527	←	
45	ION GENERATOR	1	CWH94C0001	←	
46	SUPERSONIC AIR PURIFYING DEVICE	1	CWH91C1013	←	
47	ELECTRONIC CONTROLLER SUPERSONIC	1	CWA743874	←	O
48	SUPER ALLERU BUSTER FILTER	1	CWD00C1133	←	
49	FRAME FR AIR FILTER SUPERSONIC	1	CWD011027	←	
50	FRAME FR AIR FILTER SUPERSONIC	1	CWD011026	←	
51	ELECTRONIC CONTROLLER - POWER	1	CWA744061	CWA744321	O

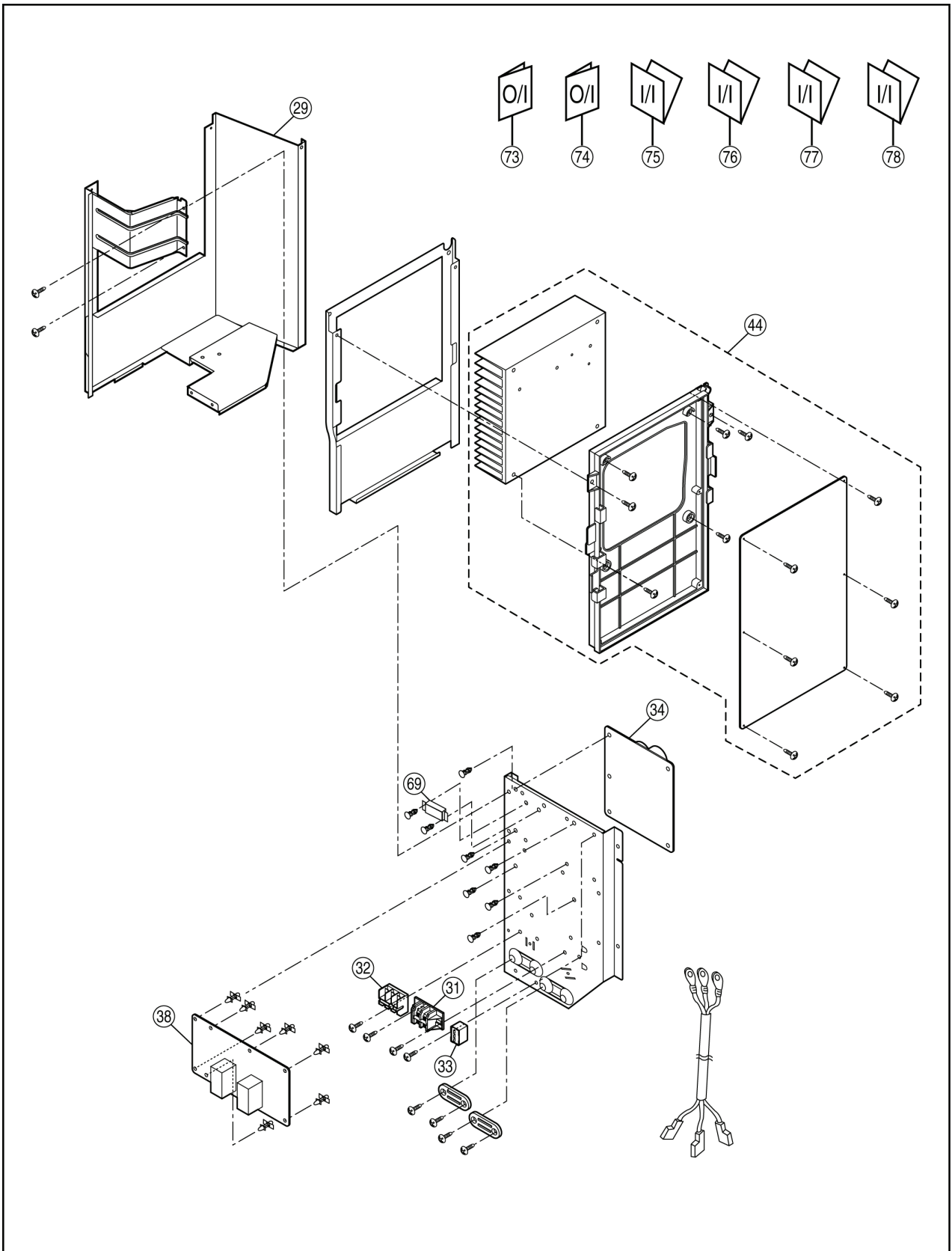
(Note)

- All parts are supplied from PHAAM, Malaysia (Vendor Code: 061).
- "O" marked parts are recommended to be kept in stock.

17.2. CU-E24EKE CU-E28EKE







Note:
 The above exploded view is for the purpose of parts disassembly and replacement.
 The non-numbered parts are not kept as standard service parts.

<Model: CU-E24EKE, CU-E28EKE>

REF. NO.	DESCRIPTION & NAME	QTY.	CU-E24EKE	CU-E28EKE	REMARKS
1	BASE PAN ASS'Y	1	CWD52K1098	←	
2	COMPRESSOR	1	5KD240XAA21	←	O
3	ANTI-VIBRATION BUSHING	3	CWH50055	←	
4	NUT FOR COMP. MOUNT.	3	CWH561049	←	
4a	PACKING	3	CWB811017	←	
6	CONDENSER COMPLETE	1	CWB32C1750	←	
8	DISCHARGE MUFFLER	1	CWB121013	←	
10	3-WAYS VALVE (GAS)	1	CWB011251	←	
11	4-WAYS VALVE COMPLETE	1	CWB00C1034	←	
12	2-WAYS VALVE (LIQUID)	1	CWB021330	←	
20	SOUND PROOF MATERIAL-COMP	1	CWG302245	←	
21	SOUND PROOF MATERIAL	1	CWG302246	←	
22	SOUND-PROOF BOARD ASS'Y	1	CWH151075	←	
23	V-COIL COMPLETE	1	CWA43C2169J	←	O
24	V-COIL COMPLETE	1	CWA43C2141J	CWA43C2128J	O
25	SENSOR-OD TEMP./COIL	1	CWA50C2381	←	
26	SENSOR-COMP.DISCHARGE	1	CWA50C2214	←	
27	SENSOR-COMP.SUCT/DEFROST	1	CWA50C2185	←	
28	CABINET REAR PLATE	1	CWE02C1013	←	
29	CONTROL BOARD CASING	1	CWH10K1046	←	
31	TERMINAL BOARD ASS'Y	1	CWA28K1107	←	
32	TERMINAL BOARD ASS'Y	1	CWA28K1076J	←	
33	CAPACITOR-FAN MOTOR	1	DS441355NPQA	←	O
34	ELECTRONIC CONTROLLER (P. SUPPLY)	1	CWA743402	CWA744289	O
38	ELECTRONIC CONTROLLER (NOISE FILTER)	1	CWA744227	CWA744309	O
44	ELECTRONIC CONTROLLER (MAIN)	1	CWA73C2138R	CWA73C2140R	O
46	REACTOR	2	CWA421066	-	
48	TERMINAL COVER	1	CWH171001	←	
49	NUT FOR TERMINAL COVER	1	CWH7080300J	←	
50	BRACKET FAN MOTOR	1	CWD54K1028	←	
50a	SCREW - BRACKET FAN MOTOR	2	CWH551040J	←	
54	FAN MOTOR	1	CWA951510	←	O
54a	SCREW-FAN MOTOR	4	CWH551040J	←	
55	PROPELLER FAN	1	CWH001019	←	
56	NUT for PROPELLER FAN	1	CWH561038J	←	
57	CABINET FRONT PLATE	1	CWE061118A	←	
58	DISCHARGE GRILLE	1	CWE201073	←	
59	CABINET SIDE PLATE	1	CWE04K1019A	←	
60	WIRE NET	1	CWD041060A	←	
61	CABINET TOP PLATE COMPLETE	1	CWE03C1040	←	
62	ACCESSORY COMPLETE	1	CWH82C1105	←	
66	CABINET FRONT PLATE COMPLETE	1	CWE06C1086	←	
67	HANDLE	3	CWE161008	←	
68	TUBE ASS'Y (CAPILLARY TUBE)	1	CWT07K1334	CWT07K1321	
69	ELECTRO. MAGNETIC SWITCH	1	-	CWA001023	
70	EXPANSION VALVE	1	CWB051016J	CWB051018J	
71	DRAIN HOSE	1	CWH5850080	←	
72	PACKING - L. TUBE	1	CWB811010	←	
73	OPERATION INSTRUCTION	1	CWF565203	←	
74	OPERATION INSTRUCTION	1	CWF565204	←	
75	INSTALLATION INSTRUCTION	1	CWF612949	←	
76	INSTALLATION INSTRUCTION	1	CWF612950	←	
77	INSTALLATION INSTRUCTION	1	CWF612951	←	

REF. NO.	DESCRIPTION & NAME	QTY.	CU-E24EKE	CU-E28EKE	REMARKS
78	INSTALLATION INSTRUCTION	1	CWF612952	←	

(Note)

- All parts are supplied from PHAAM, Malaysia (Vendor Code: 061).
- "O" marked parts are recommended to be kept in stock.