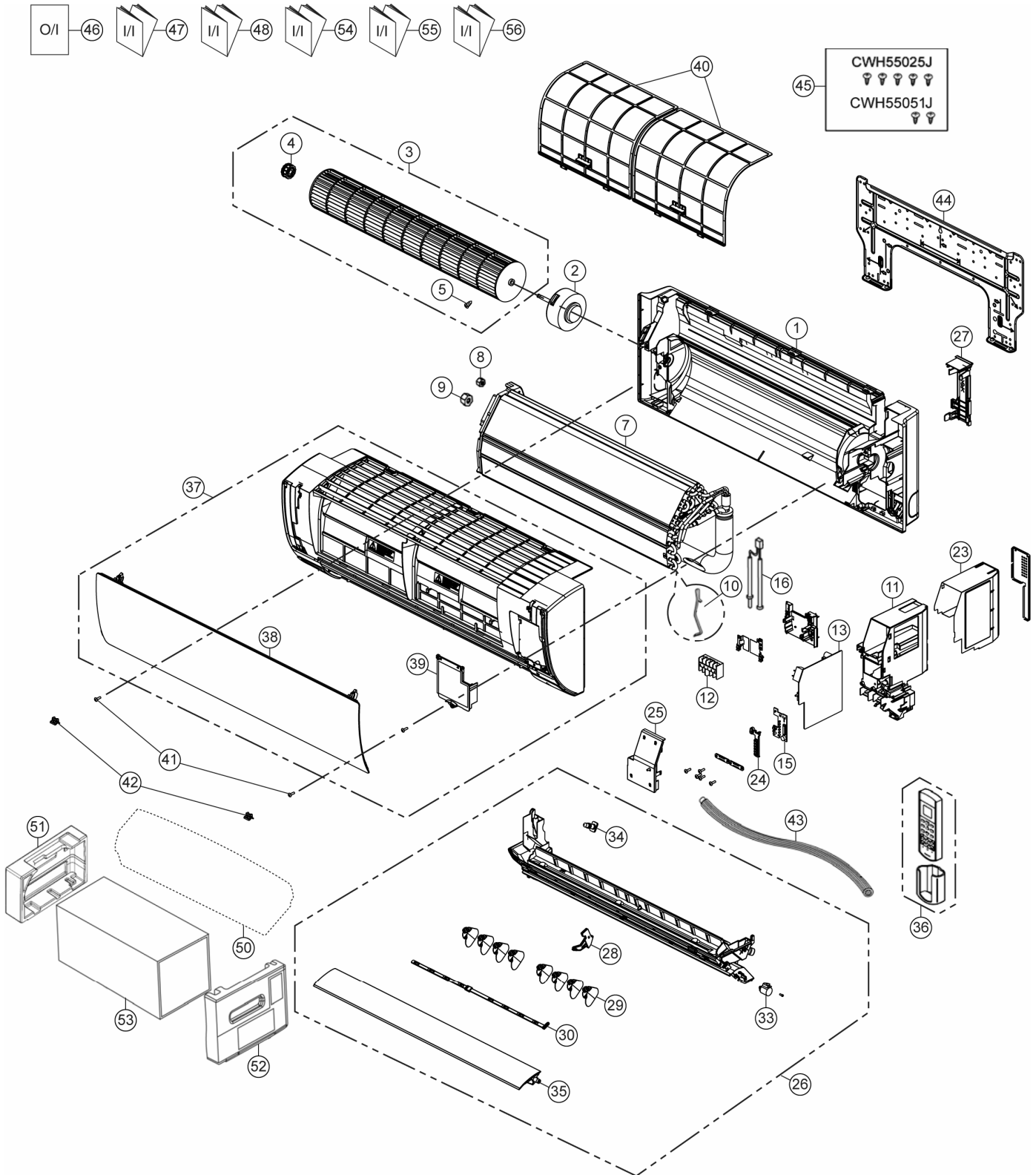


# 18. Exploded View and Replacement Parts List

## 18.1 Indoor Unit



**Note**  
 The above exploded view is for the purpose of parts disassembly and replacement.  
 The non-numbered parts are not kept as standard service parts.

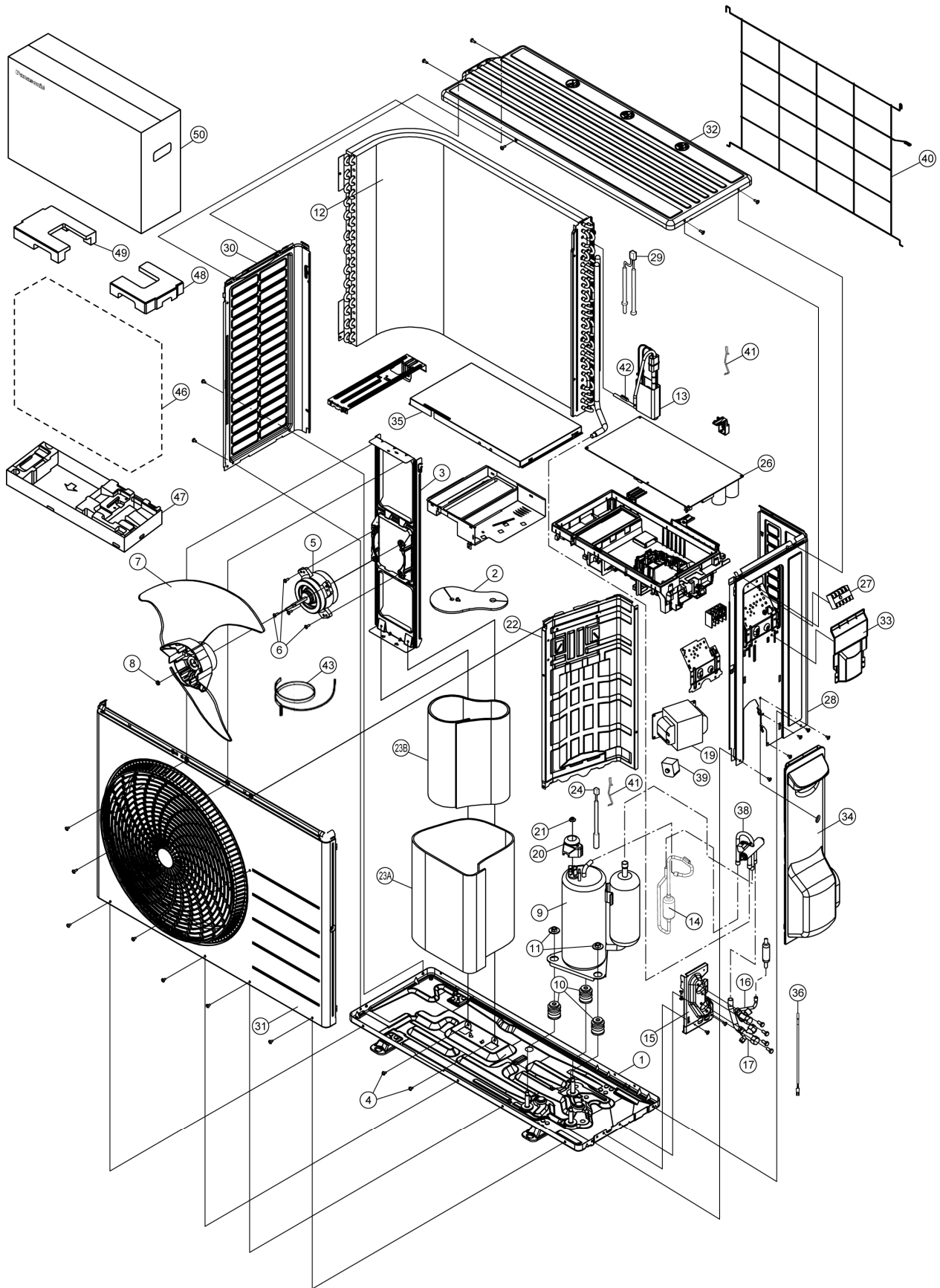
REF. NO.	PART NAME & DESCRIPTION	QTY.	CS-CE9NKE	CS-CE12NKE	REMARK
1	CHASSIS COMPLETE	1	CWD50C1653	←	
2	FAN MOTOR	1	ARW6101CB	←	O
3	CROSS-FLOW FAN COMPLETE	1	CWH02C1076	←	
4	BEARING ASSY	1	CWH64K007	←	
5	SCREW - CROSS-FLOW FAN	1	CWH551146	←	
7	EVAPORATOR	1	CWB30C3097	CWB30C4153	
8	FLARE NUT (LIQUID)	1	CWT251030	←	
9	FLARE NUT (GAS)	1	CWT251031	←	
10	CLIP FOR SENSOR	1	CWH32143	←	
11	CONTROL BOARD CASING	1	CWH102449	←	
12	TERMINAL BOARD COMPLETE	1	CWA28C2364	←	
13	ELECTRONIC CONTROLLER - MAIN	1	CWA73C6844	CWA73C6845	O
15	ELECTRONIC CONTROLLER - INDICATOR	1	CWA746963	←	O
16	SENSOR COMPLETE	1	CWA50C2401	←	
23	CONTROL BOARD TOP COVER	1	CWH131467	←	
24	INDICATOR HOLDER	1	CWD933406	←	
25	CONTROL BOARD FRONT COVER CO.	1	CWH13C1247	←	
26	DISCHARGE GRILLE COMPLETE	1	CWE20C3236	←	
27	BACK COVER CHASSIS	1	CWD933233	←	
28	FULCRUM	1	CWH621131	←	
29	VERTICAL VANE	8	CWE241374	←	
30	CONNECTING BAR	2	CWE261251	←	
33	AIR SWING MOTOR	1	CWA981264	←	O
34	CAP - DRAIN TRAY	1	CWH521259	CWH521096	
35	HORIZONTAL VANE COMPLETE	1	CWE24C1385	←	
36	REMOTE CONTROL COMPLETE	1	CWA75C4169	←	O
37	FRONT GRILLE COMPLETE	1	CWE11C5439	←	O
38	INTAKE GRILLE COMPLETE	1	CWE22C1723	←	O
39	GRILLE DOOR COMPLETE	1	CWE14C1090	←	
40	AIR FILTER	2	CWD001279	←	
41	SCREW - FRONT GRILLE	2	XTT4+16CFJ	←	
42	CAP - FRONT GRILLE	2	CWH521227	←	
43	DRAIN HOSE	1	CWH851173	←	
44	INSTALLATION PLATE	1	CWH361134	←	
45	BAG COMPLETE - INSTALLATION SCREW	1	CWH82C1705	←	
46	OPERATING INSTRUCTION	1	CWF568751	←	
47	INSTALLATION INSTRUCTION	1	CWF615526	←	
48	INSTALLATION INSTRUCTION	1	CWF615527	←	
50	BAG	1	CWG861497	←	
51	SHOCK ABSORBER ( L )	1	CWG713386	←	
52	SHOCK ABSORBER ( R )	1	CWG713387	←	
53	C.C.CASE	1	CWG567354	←	
54	INSTALLATION INSTRUCTION	1	CWF615528	←	

55	INSTALLATION INSTRUCTION	1	CWF615529	←	
56	INSTALLATION INSTRUCTION	1	CWF615530	←	

(Note)

- All parts are supplied from PAPAMY, Malaysia (Vendor Code: 00029488).
- "O" marked parts are recommended to be kept in stock.

## 18.2 Outdoor Unit



### Note

The above exploded view is for the purpose of parts disassembly and replacement. The non-numbered parts are not kept as standard service parts.

REF. NO.	PART NAME & DESCRIPTION	QTY.	CU-CE9NKE	CU-CE12NKE	REMARK
1	CHASSIS ASSY	1	CWD52K1310	←	
2	SOUND PROOF MATERIAL	1	CWG302742	←	
3	FAN MOTOR BRACKET	1	CWD541167	←	
4	SCREW - FAN MOTOR BRACKET	2	CWH551217	←	
5	FAN MOTOR	1	CWA951853	CWA951854	O
6	SCREW - FAN MOTOR MOUNT	4	CWH55252J	←	
7	PROPELLER FAN ASSY	1	CWH03K1066	←	
8	NUT - PROPELLER FAN	1	CWH56053J	←	
9	COMPRESSOR	1	5RD132XBE21	←	O
10	ANTI - VIBRATION BUSHING	3	CWH50077	←	
11	NUT - COMPRESSOR MOUNT	3	CWH56000J	←	
12	CONDENSER	1	CWB32C3560	←	
13	CAPILLARY TUBE ASSY	1	CWT01C6150	CWT01C6152	
14	DISCHARGE MUFFLER	1	CWB121010	←	
15	HOLDER COUPLING	1	CWH351233	←	
16	2-WAYS VALVE (LIQUID)	1	CWB021400	←	O
17	3-WAY VALVE (GAS)	1	CWB011374	←	O
19	REACTOR	1	G0C193J00004	←	
20	TERMINAL COVER	1	CWH171039A	←	
21	NUT - TERMINAL COVER	1	CWH7080300J	←	
22	SOUND PROOF BOARD	1	CWH151274	←	
23A	SOUND PROOF MATERIAL	1	CWG302741	←	
23B	SOUND PROOF MATERIAL	1	CWG302745	←	
24	SENSOR CO. - COMP TEMP	1	CWA50C2894	←	O
26	ELECTRONIC CONTROLLER - MAIN	1	CWA73C6853R	CWA73C6854R	O
27	TERMINAL BOARD ASSY	1	CWA28K1036J	←	O
28	CABINET SIDE PLATE CO.	1	CWE04C1296	←	
29	SENSOR CO.- AIR AND PIPE TEMP	1	CWA50C2893	←	O
30	CABINET SIDE PLATE (L)	1	CWE041580A	←	
31	CABINET FRONT PLATE CO.	1	CWE06C1441	←	
32	CABINET TOP PLATE	1	CWE031148A	←	
33	PLATE-C.B.COVER	1	CWH131470A	←	
34	CONTROL BOARD COVER CO.	1	CWH13C1253	←	
35	CONTROL BOARD COVER	1	CWH131473	←	
36	CRANKCASE HEATER (BASE PAN)	1	CWA341072	←	
38	4-WAYS VALVE	1	CWB001037J	←	
39	V-COIL COMPLETE	1	CWA43C2431	←	
40	WIRE NET	1	CWD041166A	←	
41	HOLDER SENSOR	2	CWH32143	←	
42	HOLDER SENSOR	1	CWH32075	←	
43	CRANKCASE HEATER	1	CWA341044	←	
46	BAG	1	CWG861078	←	
47	BASE BOARD - COMPLETE	1	CWG62C1162	←	
48	SHOCK ABSORBER (R)	1	CWG713415	←	
49	SHOCK ABSORBER (L)	1	CWG713416	←	
50	C.C. CASE	1	CWG566848	←	

(Note)

- All parts are supplied from PAPAMY, Malaysia (Vendor Code: 00029488).
- "O" marked parts are recommended to be kept in stock.